

## Product Features

- Oversized spray face
- Three spray modes: full, massage, and intense turbo spray
- Quick Clean™ cleaning system
- 75 No-clog spray channels
- ½" Female inlet
- 2.5 gpm

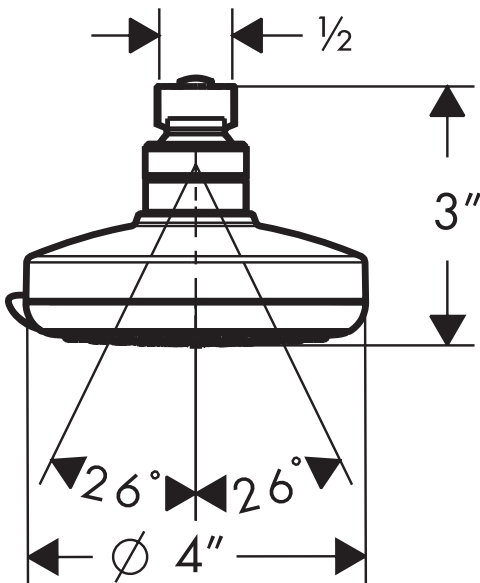
## Code Compliance

This unit meets or exceeds the following:

- ASME A112.18.1
- CSA B125.1
- Listed by IAPMO

## Available Finishes

Chrome	04071000
Brushed Nickel	04071820
Polished Brass	04071930



The measurements shown are for reference only.

Products and specifications shown are subject to change without notice.

Specification sheet revised 10/2008