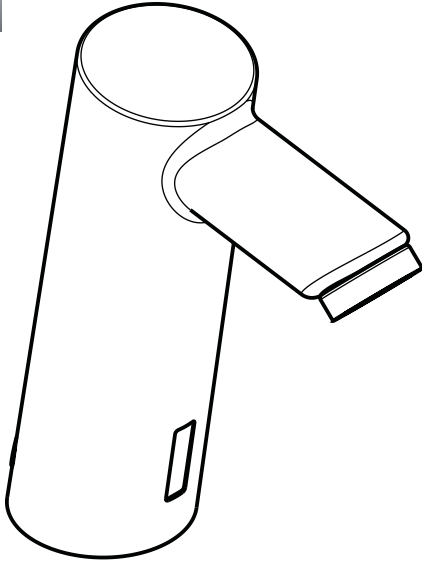


**ECO
RIGHT**



Product Features

- Infrared sensor technology
- 110 V operation
- Built-in stop for cleaning
- Preset temperature
- 1.5 gpm

Code Compliance

This unit meets or exceeds the following:

- ASME A112.18.1
- CSA B125.1
- Listed by IAPMO
- WaterSense certified
- ADA compliant

Available Finishes

Chrome

32113001

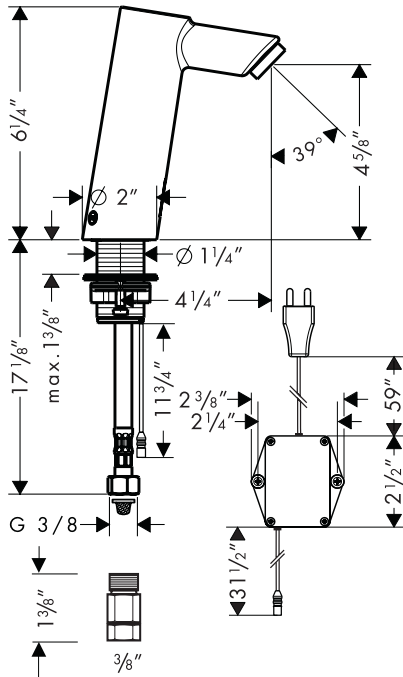
Steel Optik

32113801

Optional Accessories

Grid drain

06400XX0



The measurements shown are for reference only.

Products and specifications shown are subject to change without notice.

Specification sheet revised 5/2009