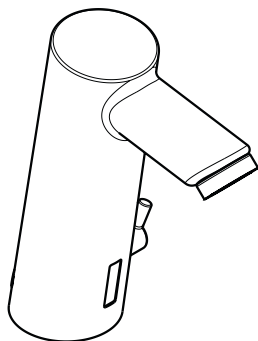
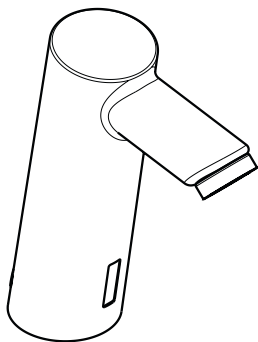


Installation Instructions / Warranty



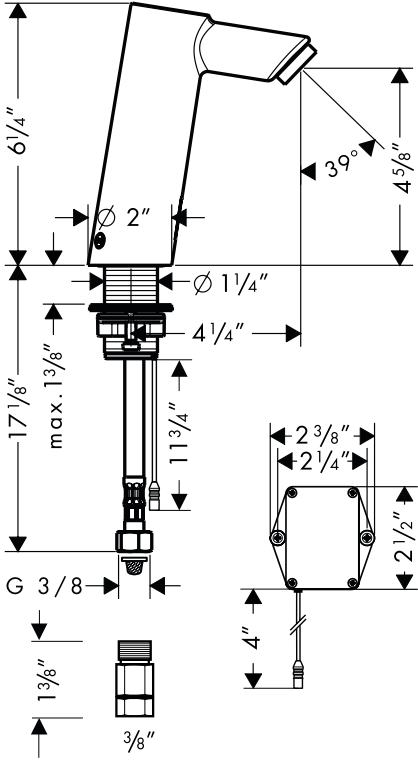
Talis S²
32110XX1
32112XX1



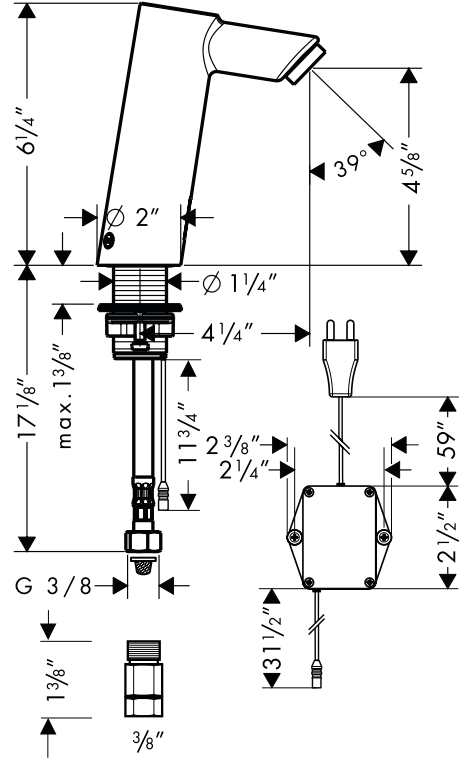
Talis S²
32111XX1
32113XX1

hansgrohe

Talis S²
32110XX1 / 32112XX1



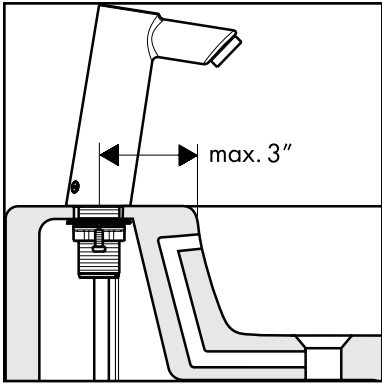
Talis S²
32111XX1 / 32113XX1



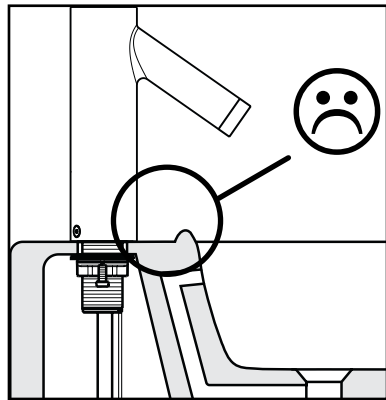
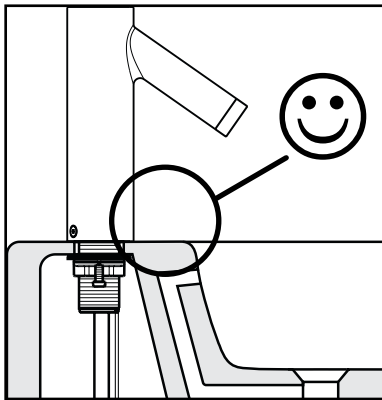
Technical Information

Recommended water pressure	15 - 72 psi
Max. water pressure	116 psi
Max. hot water temp.	176°F*
Recommended hot water temp.	120°F - 140°F*
Flow rate	1.5 gpm
Battery (32210/32212 only)	CR-P2 / 6 V Lithium
Automatic shutoff	after 1 min. **
Hole size in mounting surface	1 3/8"
Max. mounting surface depth	1 5/8"

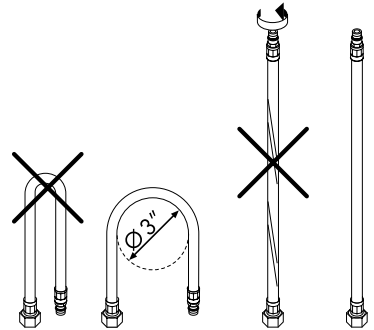
*Please know and follow all local plumbing codes when setting the temperature on the water heater.
**This is the maximum amount of time the faucet will run while the hand is within range of the sensor.



Do not install this faucet on a sink with a raised lip.



Do not bend or twist the supply hoses!



Installation notes

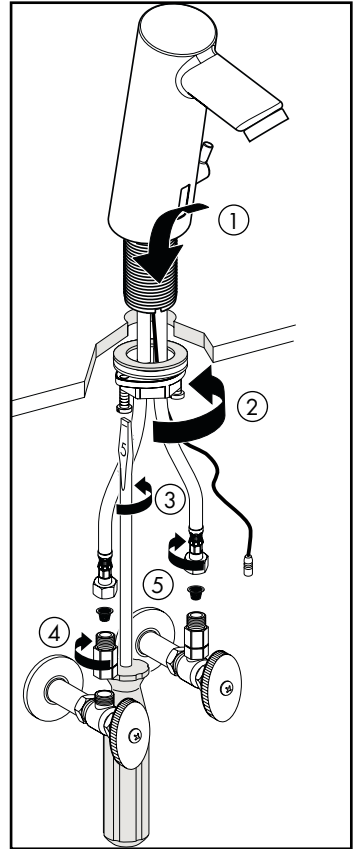
- Flush the hot and cold supplies thoroughly before installing the faucet. Damage to the faucet caused by debris is not covered under the warranty.
- The hot and cold supplies should be of equal pressure.
- The faucet should not be used with a continuous flow water heater.
- Do not install the faucet on a sink with a raised edge.
- Strong light sources should not shine directly on the sensor window of the faucet.
- The faucet should only be used with the battery pack or power pack supplied by Hansgrohe. Do not attempt to use any other battery pack or power pack.
- Models 32211 / 32213 require a 110 V electrical outlet installed by a licensed electrician. All applicable local codes must be followed.
- The transformer included with models 32211/32213 must be used. **Do not attempt to "hard wire" these faucets.**
- The faucet incorporates automatic range adjustment – the sensor automatically adjusts itself to local conditions (lavatory, brightness, etc.)
- The distance between the switch on/off point to the faucet is approx. 6 1/4" - 8" under normal conditions. The detection area may be less for dark, non-reflective objects, or greater for bright, highly reflective objects.
- If the sink is very small or highly reflective, follow the range reduction instructions on page 12. When the faucet is in reduced range mode, the LED in the sensor window will flash while the faucet is not in use.
- Drops of water or condensation on the sensor window may cause the faucet to run.
- If the LED in the sensor window flashes while the faucet is in use, the battery is low, but the faucet may still be used. If the LED stays on, the faucet will not run, and the battery must be changed.
- If the power to the outlet or to the building fails, the 110 V version of the faucet will not run.
- The spray pattern will be unattractive immediately after installation or service, due to air in the faucet. After the faucet is used 10 - 15 times, the spray pattern will clear.
- At the start of operation, or after maintenance, function of the faucet may be delayed due to reflections during adjustment of the operating distance. The faucet will automatically calibrate itself. The self-calibration will start after 10-15 minutes.

Installation

Position the faucet on the sink or countertop (1).

Install and tighten the mounting nut (2). Tighten the tensioning screws (3).

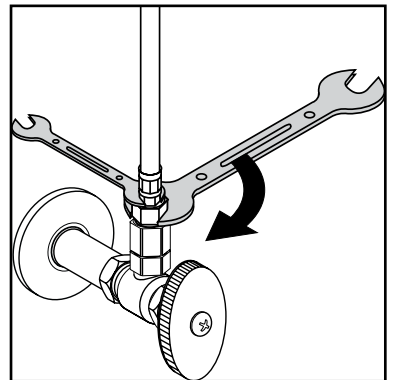
Connect the 3/8" adapters to the stops (4).



Connect the hoses to the adapters (5).



Tighten the hoses with two wrenches, as shown, to prevent the hoses from twisting.

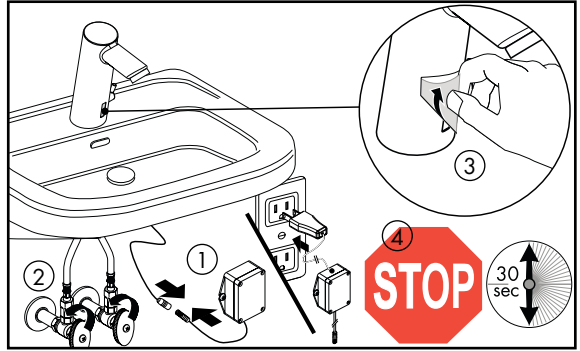


Connect the faucet power cable to the battery pack or AC power pack (1). Plug the AC power pack in.

Turn the hot and cold supplies on (2).

Remove the protective film from the sensor window (3).

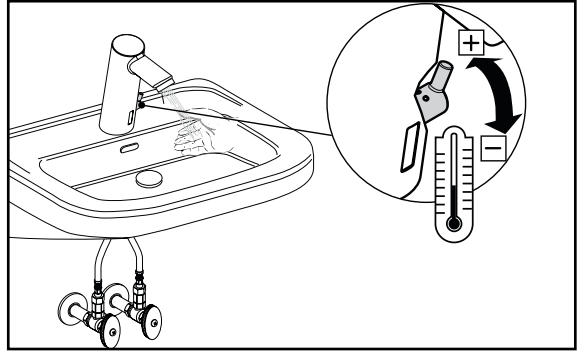
Wait 30 seconds before attempting to use the faucet (4).



Position your hand in front of the sensor to turn the water on.

Due to air in the faucet, the spray pattern may be unattractive for the first 10 - 15 uses after installation or service.

32110XX1/32112XX1 only: pull the temperature lever forward to make the water cooler, backward to make it warmer.

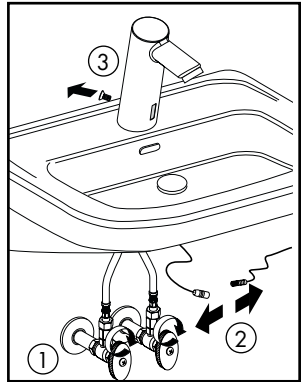


Temperature adjustment - 32111XX1 / 32113XX1 only

Turn the water supplies off (1).

Disconnect the faucet power cable from the battery pack or AC power pack (2).

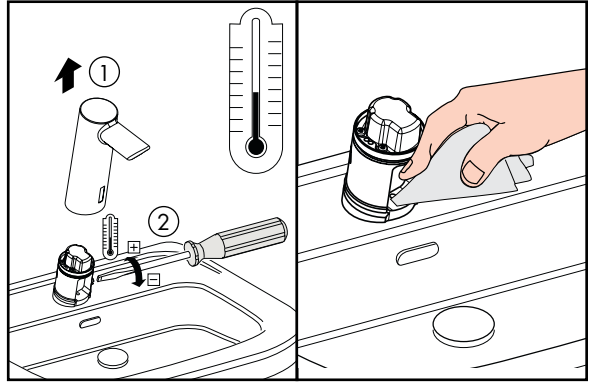
Remove the screw from the rear of the faucet (3).



Remove the faucet body (1).

Turn the temperature screw forward to make the water cooler, backward to make it warmer (2).

Dry any drops of water from the faucet or mounting surface.

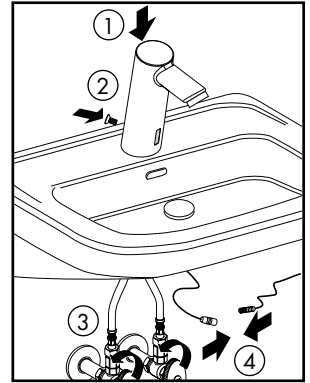


Replace the faucet body (1).

Replace the screw (2).

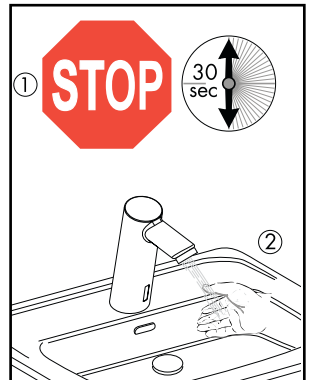
Turn the water supplies on (3).

Reconnect the power cable (4).



Wait 30 seconds (1).

Place your hand in front of the faucet to turn it on (2).

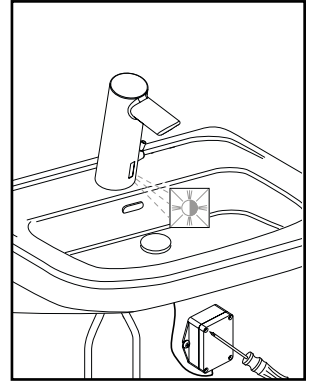


Battery replacement – models 32110XX1 / 32111XX1 only

If the LED in the sensor window flashes, the battery is low, but the faucet can still be used.

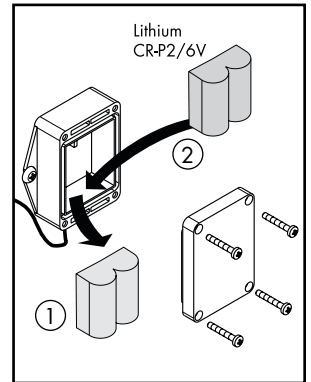
If the LED lights continuously, the battery must be changed before the faucet can be used.

Remove the four screws and the battery pack cover.



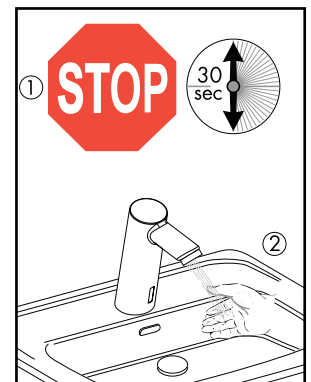
Remove the old battery (1). Install the new battery (2).

Reinstall the battery pack cover.



Wait 30 seconds (1).

Activate the faucet by placing a hand in front of the sensor (2).



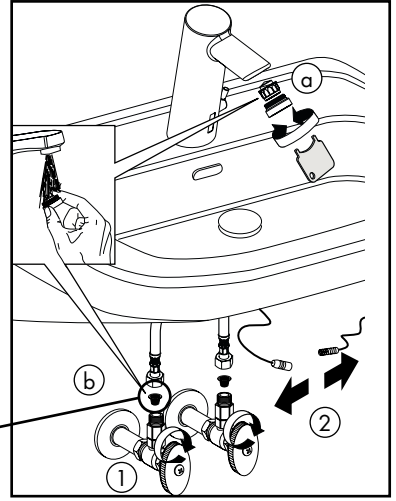
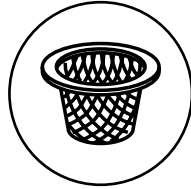
Clean the aerator and filters – all models

If the water flow is reduced over time, clean the aerator (a) and the filters (b).

Turn the water supplies off (1). Disconnect the power cable (2).

Unscrew the aerator (a) with the service key.

Disconnect the hot and cold supply hoses from the adapters. Remove the filters (b).



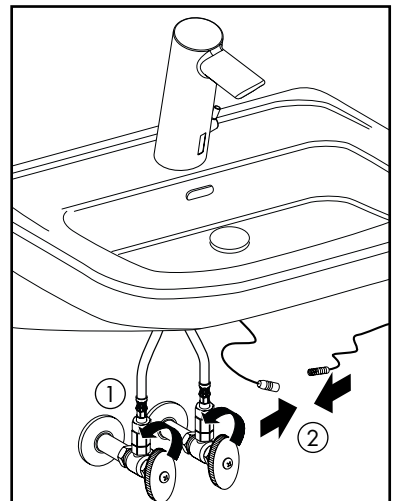
At another sink, rinse the filters and the aerator.

Reinstall the aerator.

Replace the filters. Reconnect the hot and cold supply hoses (see page 4).

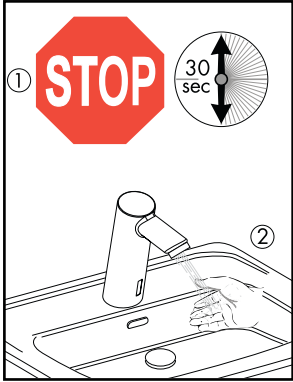
Turn the water on (1).

Reconnect the power cable (2).



Wait 30 seconds (1).

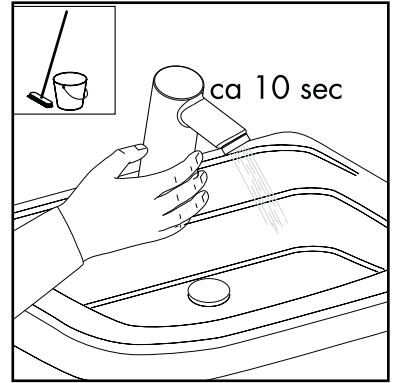
Place a hand in front of the sensor to turn the faucet on (2).



Cleaning

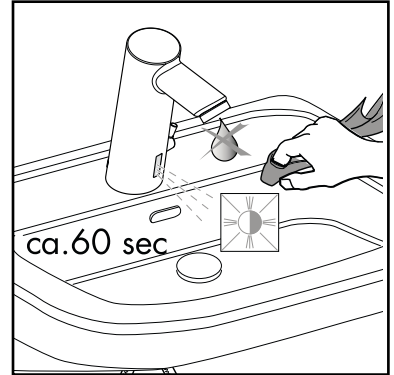
The faucet may be turned off temporarily so that the sink may be cleaned.

Cover the sensor window with a hand for approximately 10 seconds.

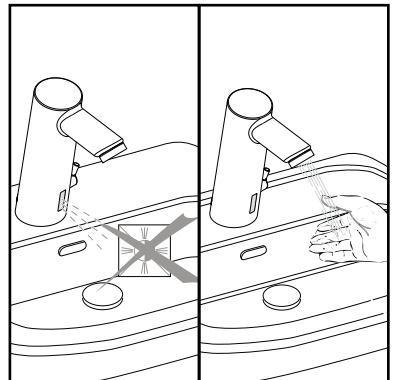


The faucet will turn off for approximately 60 seconds, so that the sink may be cleaned.

The LED in the sensor window will flash.



When the LED no longer flashes, the faucet may be used normally.

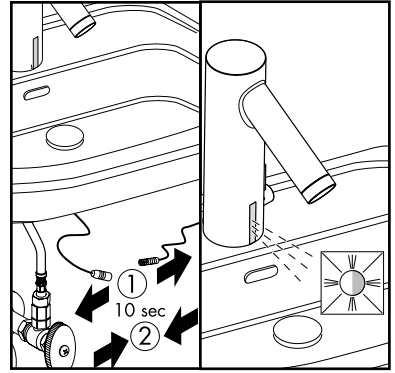


Reduce the sensor range

The sensor is set for maximum range at the factory. If the faucet is used on a very small or highly reflective lavatory, the sensor range may be reduced by approximately 2".

Disconnect the power cable for approximately 10 seconds (1). Reconnect the power cable (2).

The LED will blink once to indicate that it is in the "maximum range" mode.

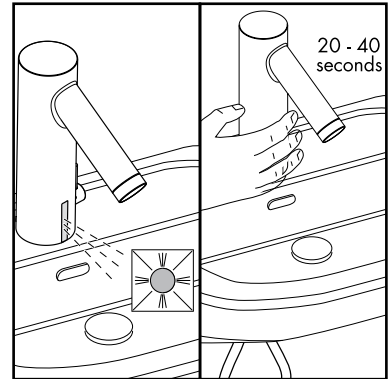


When the LED stays on, cover the sensor window with your hand or with a white card for 20 - 40 seconds to reset the electronics*.

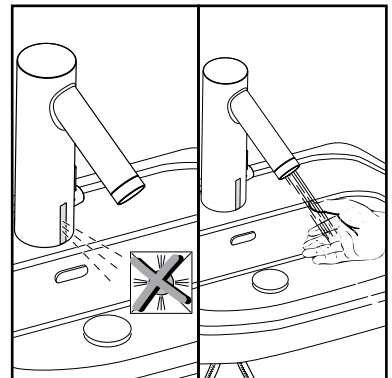
**If the card or hand is removed in less than 20 seconds, or after 40 seconds, the sensor mode will not reset.*

When the hand or card is removed, the LED will blink – once for "maximum range", twice for "reduced range".

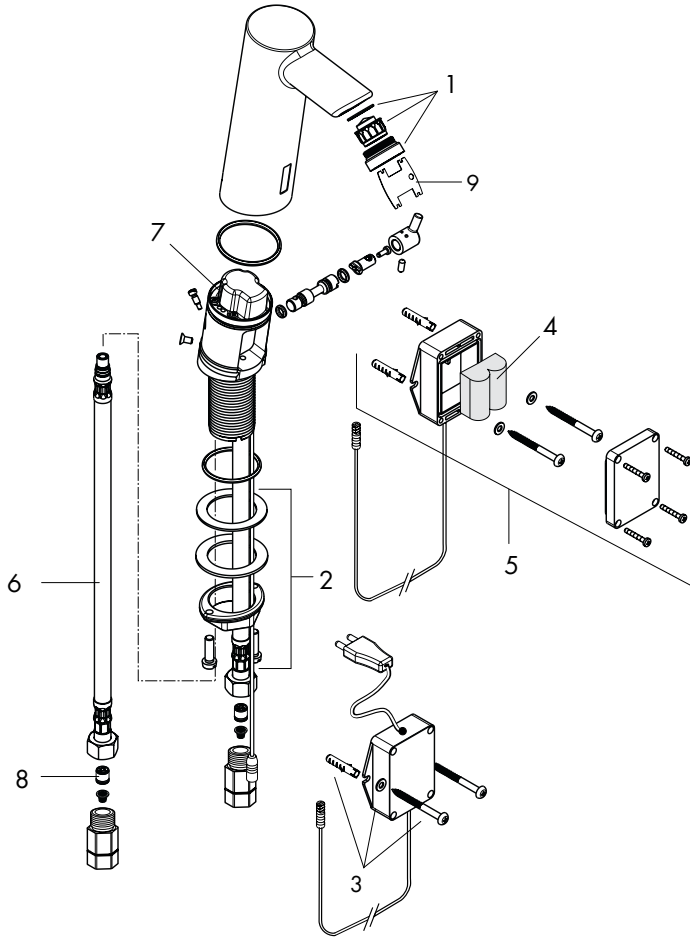
The LED will then stay on while the sensor recalibrates itself.



When the LED turns off, the faucet is ready for use.



Replacement Parts



- | | | |
|---|---------------------|------------|
| 1 | aerator | |
| 2 | fixing set | 13961000 |
| 3 | AC adapter | 97399000 |
| 4 | battery, lithium | CR-P2 / 6V |
| 5 | battery box | 98801000 |
| 6 | connection hose | 98809000 |
| 7 | electronics | 98803000 |
| 8 | check valve | 96456000 |
| 9 | aerator service key | 98808000 |

XX = color
 00 = chrome
 80 = steel finish

Maintenance note: the check valves (item #8) should be removed and checked yearly.

Cleaning Recommendation for Hansgrohe Products

Modern lavatory faucets, kitchen faucets, and showers consist of very different materials to comply with the needs of the market with regard to design and functionality. To avoid damage and returns, it is necessary to consider certain criteria when cleaning.

Cleaning Materials for Faucets and Showers

Acids are a necessary ingredient of cleaning materials for removing lime, however please pay attention to the following points when cleaning faucets and showers:

- Only use cleaning materials which are explicitly intended for this type of application.
- Never use cleaning materials which contain hydrochloric, formic, phosphoric, or acetic acid, as they cause considerable damage.
- Never mix one cleaning material with another.
- Never use cleaning materials or appliances with an abrasive effect, such as unsuitable cleaning powders, sponge pads, or micro fiber cloths.

Cleaning Instructions for Faucets and Showers

Please follow the cleaning material manufacturer's instructions. In addition, pay attention to the following points:

- Clean the faucets and showers as and when required
- Use the amount of cleaning product and the amount of time recommended by the manufacturer. Do not leave the cleaner on the fixture longer than necessary.
- Regular cleaning can prevent calcification.
- When using spray cleaners, spray first onto a soft cloth or sponge. Never spray directly onto the faucet as droplets can enter openings and gaps and cause damage.
- After cleaning, rinse thoroughly with clean water to remove any cleaner residue.

Important

Residues of liquid soaps, shampoos, and shower foams can also cause damage, so rinse with clean water after using.

Please note: if the surface is already damaged, the effect of cleaning materials will cause further damage.

Components with damaged surfaces must be replaced or injury could result.

Damage caused by improper treatment is not covered under the warranty.

Limited Lifetime Consumer Warranty

This product has been manufactured and tested to the highest quality standards by Hansgrohe, Inc. ("Hansgrohe"). This warranty is limited to Hansgrohe products which are purchased by a consumer in the United States after March 1, 1996, and installed in either the United States or Canada.

WHO IS COVERED BY THE WARRANTY

This warranty extends to the original consumer purchaser only. This warranty is non-transferable.

WHAT IS COVERED BY THE WARRANTY

This warranty covers only your Hansgrohe manufactured product. Hansgrohe warrants this product against defects in material or workmanship as follows: Hansgrohe will repair at no charge for parts only or, at its option, replace any product or part of the product that proves defective because of improper workmanship and/or material, under normal installation, use, service and maintenance. If Hansgrohe is unable to provide a replacement and repair is not practical or cannot be timely made, Hansgrohe may elect to refund the purchase price in exchange for the return of the product.

LENGTH OF WARRANTY

Replacement or repaired parts of products will be covered for the term of this warranty as stated in the following two sentences. If you are a consumer who purchased the product for use primarily for personal, family, or household purposes, this warranty extends for as long as you own the product and the home in which the product is originally installed. If you purchased

the product for use primarily for any other purpose, including, without limitation, a commercial purpose, this warranty extends only (i) for 1 year, with respect to Hansgrohe and Commercial products, and (ii) for 5 years, with respect to AXOR products.

THIS WARRANTY DOES NOT COVER, AND HANSGROHE WILL NOT PAY FOR:

- A. Conditions, malfunctions or damage not resulting from defects in material or workmanship.
- B. Conditions, malfunctions or damage resulting from (1) normal wear and tear, improper installation, improper maintenance, misuse, abuse, negligence, accident or alteration, or (2) the use of abrasive or caustic cleaning agents or "no-rinse" cleaning products, or the use of the product in any manner contrary to the product instructions. (3) Conditions in the home such as excessive water pressure or corrosion.
- C. Labor or other expenses for the disconnection, deinstallation, or return of the product for warranty service, or for installation or reinstallation of the product (including but not limited to proper packaging and shipping costs), or for installation or reinstallation of the product.
- D. Accessories, connected materials and products, or related products not manufactured by Hansgrohe.

TO OBTAIN WARRANTY PARTS OR INFORMATION

Contact your Hansgrohe retailer, or contact Technical Service at:

Hansgrohe Inc.
1492 Bluegrass Lakes Parkway
Alpharetta GA 30004
Toll-free (800) 334-0455.

In requesting warranty service, you will need to provide

1. The sales receipt or other evidence of the date and place of purchase.
2. A description of the problem.
3. Delivery of the product or the defective part, postage prepaid and carefully packed and insured, to Hansgrohe Inc. 1492 Bluegrass Lakes Parkway, Alpharetta, Georgia 30004, Attention: Technical Service, if required by Hansgrohe.

When warranty service is completed, any repaired or replacement product or part will be returned to you postage prepaid.

EXCLUSIONS AND LIMITATIONS

REPAIR OR REPLACEMENT (OR, IN LIMITED CIRCUMSTANCES, REFUND OF THE PURCHASE PRICE) AS PROVIDED UNDER THIS WARRANTY IS THE EXCLUSIVE REMEDY OF THE PURCHASER. HANSGROHE NEITHER ASSUMES NOR AUTHORIZES ANY PERSON TO CREATE FOR IT ANY OBLIGATION OR LIABILITY IN CONNECTION WITH THIS PRODUCT.

HANSGROHE SHALL NOT BE LIABLE TO PURCHASER OR ANY PERSON FOR ANY INCIDENTAL, SPECIAL, OR CONSEQUENTIAL DAMAGES, ARISING OUT OF BREACH OF THIS WARRANTY OR ANY IMPLIED WARRANTY (INCLUDING MERCHANTABILITY).

Some States do not allow the exclusion or limitation of incidental or consequential damages, so the above limitation or exclusion may not apply to you. This warranty gives you specific legal rights, and you may have other rights which vary from State to State. You may be required by law to give us a reasonable opportunity to correct or cure any failure to comply before you can bring any action in court against us under the Magnuson-Moss Warranty Act.

PRODUCT INSTRUCTIONS AND QUESTIONS

Upon purchase or prior to installation, please carefully inspect your Hansgrohe product for any damage or visible defect. Prior to installing, always carefully study the enclosed instructions on the proper installation and the care and maintenance of the product. If you have questions at any time about the use, installation, or performance of your Hansgrohe product, or this warranty, please call or write to us or call us toll-free at 800 334 0455.

hansgrohe

Hansgrohe, Inc. • 1490 Bluegrass Lakes Parkway • Alpharetta, GA 30004
Tel. 770-360-9880 • Fax 770-360-9887

www.hansgrohe-usa.com