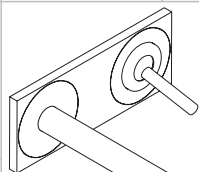
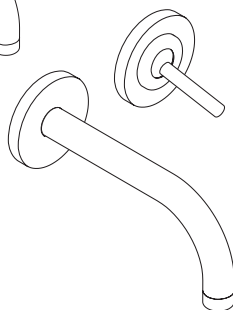


# Installation Instructions / Warranty



**Uno**  
38117XX1

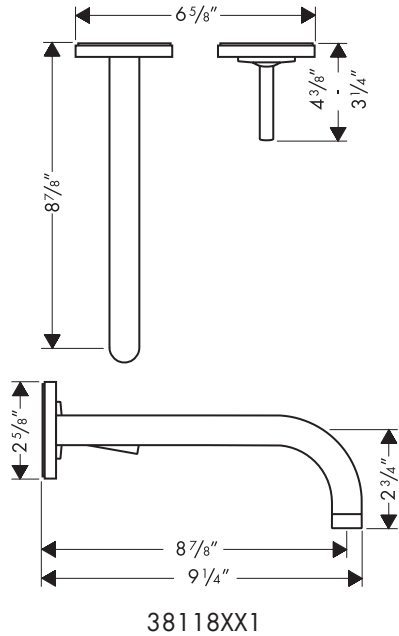
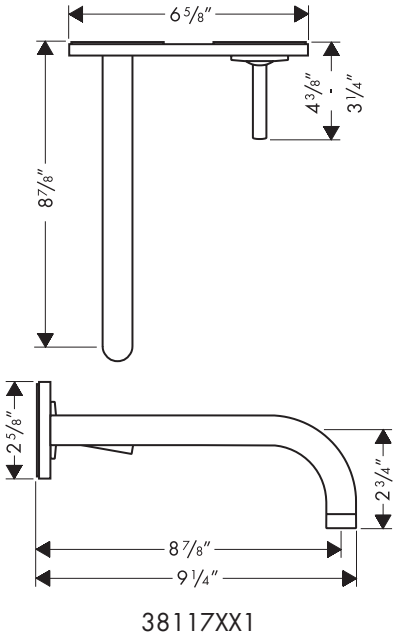


**Uno**  
38118XX1

# AXOR<sup>®</sup>

**hansgrohe**

Wall Mounted Single-Handle Lav Set with Base Plate 38117XX1  
 Wall Mounted Single-Handle Lav Set 38118XX1



**Technical Data**

- Max. flow rate: 2.2 gpm
  - Max. water pressure: 147 psi
  - Recommended pressure: 14.7 - 72 psi
  - Test pressure: 232 psi
  - Max. hot water temperature: 176° F\*
  - Recommended hot water temp.: 120° F - 140° F\*
  - Requires rough 38111181 (not included)
- For best results, Hansgrohe recommends installation by a licensed, professional plumber.

These units may be used with an instantaneous water heater, as long as the output pressure of the heater is at least 22 psi.

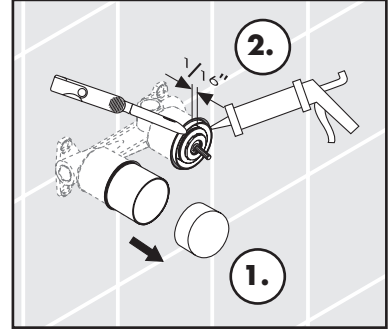
\*Know and follow all applicable local codes when setting the temperature on the water heater. In Massachusetts, the water heater may be set no higher than 112°F.

## Installation with 38111181 rough manufactured before 03/2004

**Turn the water off at the supply before beginning this installation.**

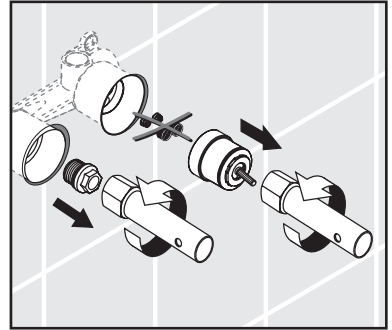
Remove the covers from the plaster shields (1).

Trim the plaster shields so that they extend  $1/16''$  outside the surface of the finished wall (2). Seal the wall around the plaster shield with waterproof sealant.

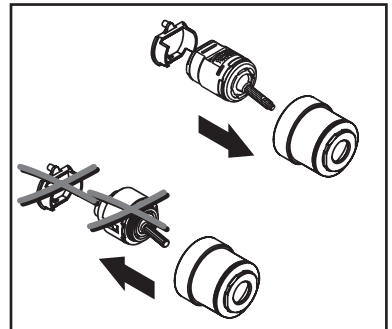


Use a 17 mm socket wrench to remove the spout plug.

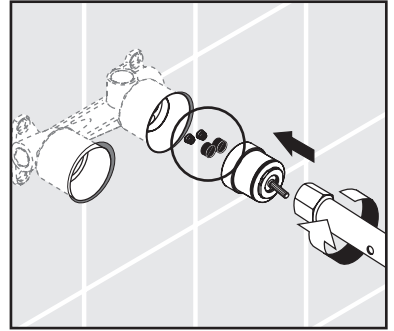
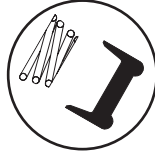
Use a 27 mm socket wrench to remove the cartridge assembly. Remove and discard the cup washers and springs.



Remove and discard the cartridge and anti-twist device from the housing. Install the new cartridge and anti-twist device in the housing.



Install the new cup washers and springs in the rough.  
Install the cartridge assembly.

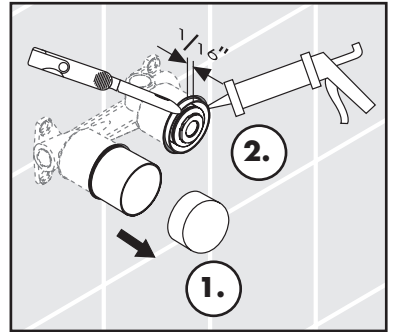


### Installation with 38111181 rough manufactured after 04/2004

**Turn the water off at the supply before beginning this installation.**

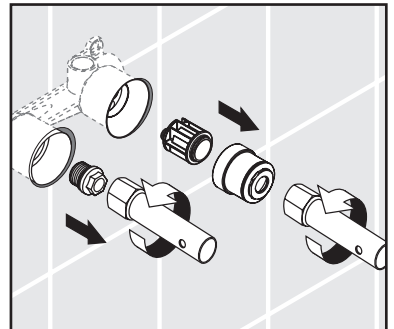
Remove the covers from the plaster shields.

Trim the plaster shields so that they extend 1/16" outside the surface of the finished wall. Seal the wall around the plaster shield with waterproof sealant.

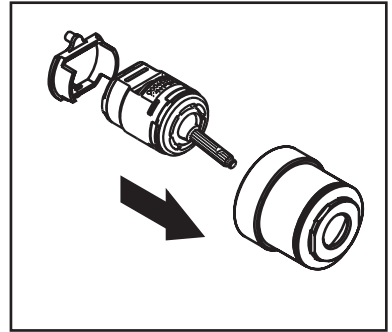


Use a 17 mm socket wrench to remove the spout plug.

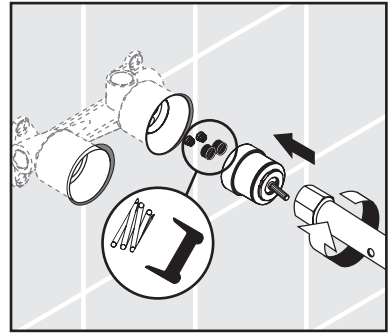
Use a 27 mm socket wrench to remove the cartridge housing. Remove and discard the flush insert.



Install the cartridge and anti-twist device in the housing.



Install the cup washers and springs in the rough.  
Install the cartridge assembly.

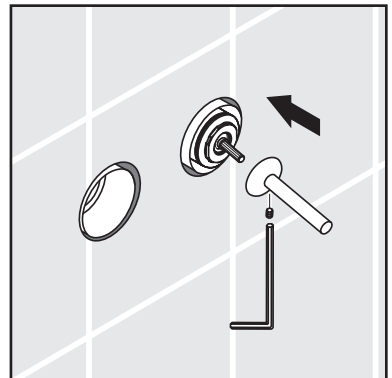


### Installation with all models:

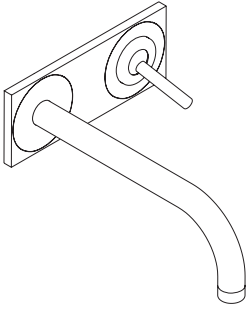
Push the handle over the cartridge stem. Tighten the handle screw with a 2 mm Allen wrench.

*If you are installing 38117XX1, turn to page 6.*

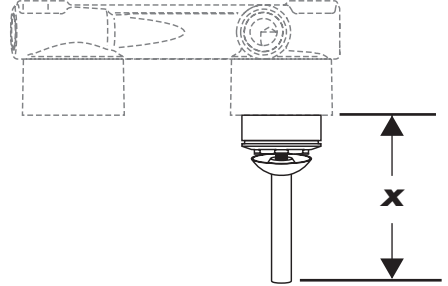
*If you are installing 38118XX1, turn to page 9.*



**Model 38117XX1 only:**



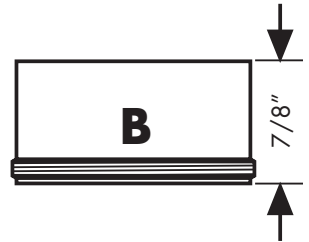
Measure the distance between the wall surface and the end of the handle (x).



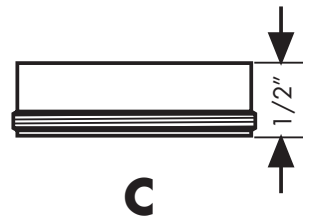
If **x** is between 3 1/4" and 3 7/8", select the two "A" sleeves (1 1/4").



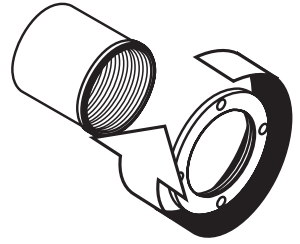
If **x** is between 3 7/8" - 4 3/8", select the two "B" sleeves (7/8").



If **x** is greater than 4 3/8", select the two "C" sleeves (1/2").

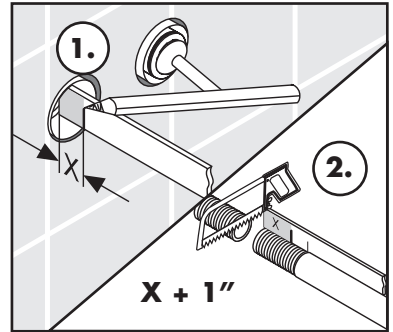


Connect the fixation nuts to the sleeves.



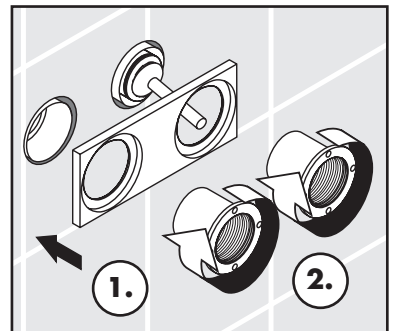
Measure the distance from the rough to the outside surface of the finished wall (X) (1).

Add 1" to X. Cut the threaded end of the spout so that it is X + 1" long (2).

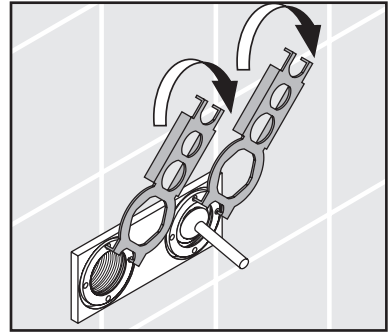


Push the baseplate against the wall (1).

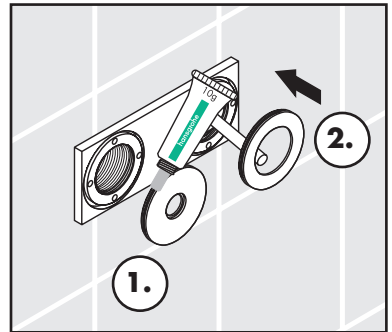
Thread the sleeves into the rough (2).



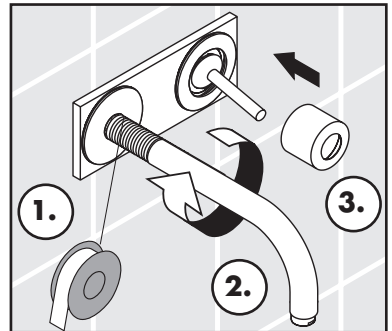
Tighten the retaining nuts with the service key.



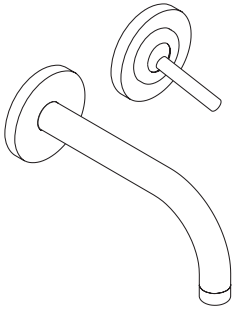
Lightly lubricate the o-rings on the spout and handle escutcheons with the enclosed lubricant (1). Push the escutcheons onto the baseplate.



Wrap the threads on the spout with Teflon tape (1). Install the spout (2). Install the handle flange (3).

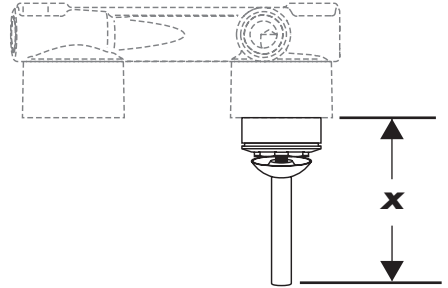






**Model 38118XX1 only:**

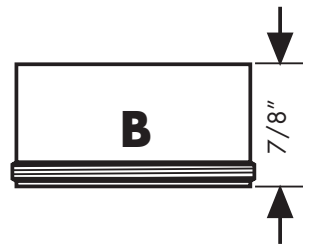
Measure the distance between the wall surface and the end of the handle (x).



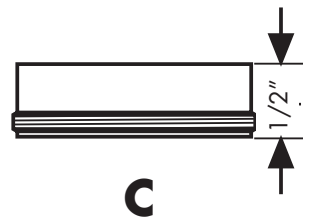
If **x** is between  $3 \frac{1}{4}$ " and  $3 \frac{7}{8}$ ", select the "A" sleeve ( $1 \frac{1}{4}$ ").



If **x** is between  $3 \frac{7}{8}$ " -  $4 \frac{3}{8}$ ", select the "B" sleeve ( $\frac{7}{8}$ ").

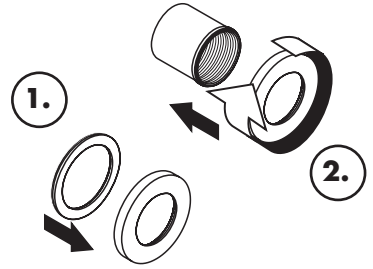


If **x** is greater than  $4 \frac{3}{8}$ ", select the "C" sleeve ( $\frac{1}{2}$ ").

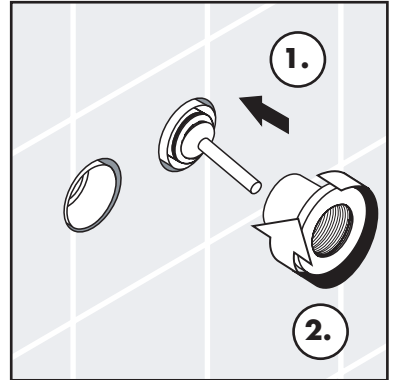


Push the sealing ring into the handle escutcheon (1).

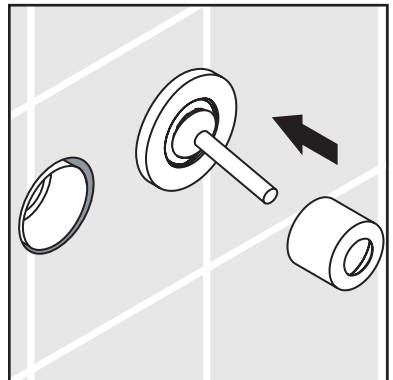
Install the handle escutcheon onto the sleeve (2).



Push the sleeve / handle escutcheon assembly into place over the handle (1). Tighten it by rotating it clockwise (2).

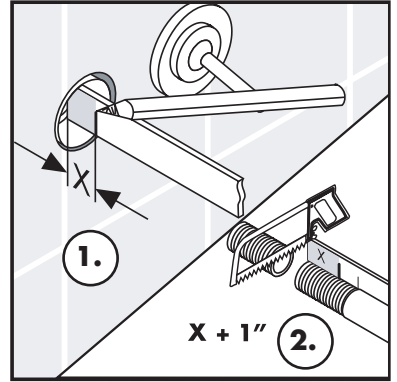


Push the flange over the handle.

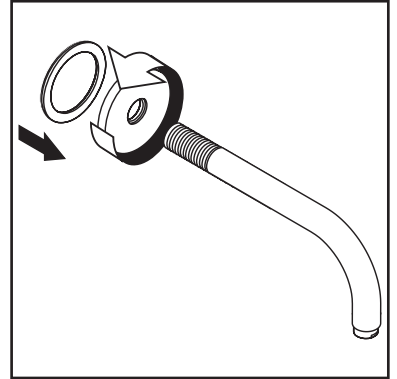


Measure the distance from the rough to the outside surface of the finished wall (X) (1).

Add 1" to X. Cut the threaded end of the spout so that it is  $X + 1"$  long (2).

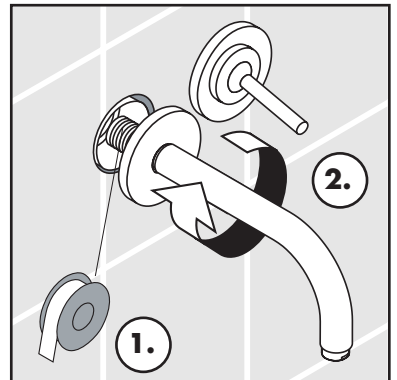


Install the spout escutcheon on the spout. Push the sealing ring into the spout escutcheon.

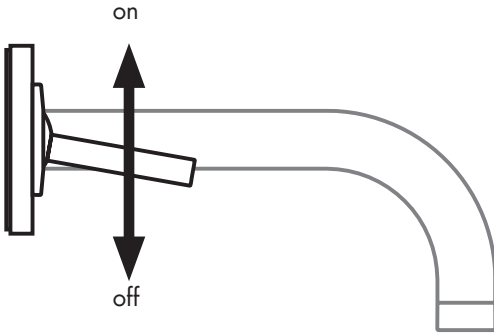


Wrap the threads on the spout with Teflon tape (1).

Install the spout (2).



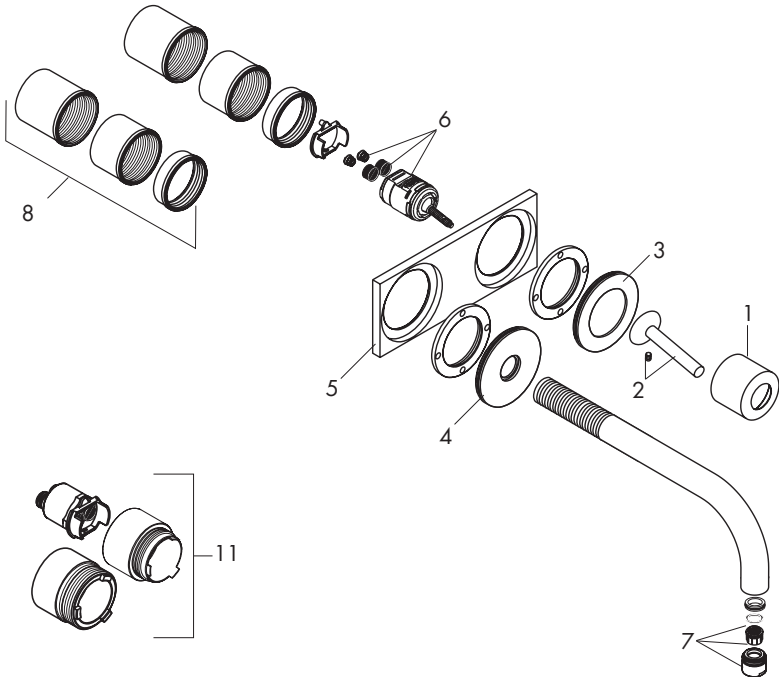
## User Instructions



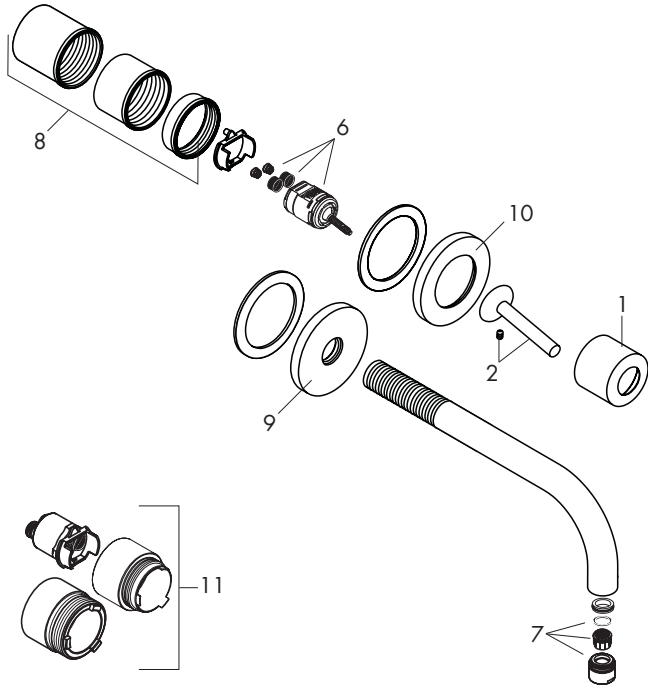
Pivot the handle up to turn the water on, down to turn it off.

Pivot the handle to the left for warmer water, to the right for cooler water.

## 38117XX1



# 38118XX1



## Replacement Parts

1	flange	96908XX0
2	handle	10092XX0
3	escutcheon for handle	96912XX0
4	escutcheon for spout	96913XX0
5	baseplate	96914XX0
6	cartridge cpl.	96339000
7	aerator cpl.	96911XX0
8	fixing set	97971000
9	escutcheon for spout	96910XX0
10	escutcheon for handle	96909XX0
11	extension set (not included)	38982000

XX = color

00 = chrome

82 = brushed nickel

# Cleaning Recommendation for Hansgrohe Products

Modern lavatory faucets, kitchen faucets, and showers consist of very different materials to comply with the needs of the market with regard to design and functionality. To avoid damage and returns, it is necessary to consider certain criteria when cleaning.

## Cleaning Materials for Faucets and Showers

Acids are a necessary ingredient of cleaning materials for removing lime, however please pay attention to the following points when cleaning faucets and showers:

- Only use cleaning materials which are explicitly intended for this type of application.
- Never use cleaning materials which contain hydrochloric, formic, phosphoric, or acetic acid, as they cause considerable damage.
- Never mix one cleaning material with another.
- Never use cleaning materials or appliances with an abrasive effect, such as unsuitable cleaning powders, sponge pads, or micro fiber cloths.

## Cleaning Instructions for Faucets and Showers

Please follow the cleaning material manufacturer's instructions. In addition, pay attention to the following points:

- Clean the faucets and showers as and when required
- Use the amount of cleaning product and the amount of time recommended by the manufacturer. Do not leave the cleaner on the fixture longer than necessary.
- Regular cleaning can prevent calcification.
- When using spray cleaners, spray first onto a soft cloth or sponge. Never spray directly onto the faucet as droplets can enter openings and gaps and cause damage.
- After cleaning, rinse thoroughly with clean water to remove any cleaner residue.

## Important

Residues of liquid soaps, shampoos, and shower foams can also cause damage, so rinse with clean water after using.

**Please note:** if the surface is already damaged, the effect of cleaning materials will cause further damage.

**Components with damaged surfaces must be replaced or injury could result.  
Damage caused by improper treatment is not covered under the warranty.**

## Limited Lifetime Consumer Warranty

This product has been manufactured and tested to the highest quality standards by Hansgrohe, Inc. ("Hansgrohe"). This warranty is limited to Hansgrohe products which are purchased by a consumer in the United States after March 1, 1996, and installed in either the United States or Canada.

### WHO IS COVERED BY THE WARRANTY

This warranty extends to the original consumer purchaser only. This warranty is non-transferable.

### WHAT IS COVERED BY THE WARRANTY

This warranty covers only your Hansgrohe manufactured product. Hansgrohe warrants this product against defects in material or workmanship as follows: Hansgrohe will repair at no charge for parts only or, at its option, replace any product or part of the product that proves defective because of improper workmanship and/or material, under normal installation, use, service and maintenance. If Hansgrohe is unable to provide a replacement and repair is not practical or cannot be timely made, Hansgrohe may elect to refund the purchase price in exchange for the return of the product.

### LENGTH OF WARRANTY

Replacement or repaired parts of products will be covered for the term of this warranty as stated in the following two sentences. If you are a consumer who purchased the product for use primarily for personal, family, or household purposes, this warranty extends for as long as you own the product and the home in which the product is originally installed. If you purchased the product for use primarily for any other purpose,

including, without limitation, a commercial purpose, this warranty extends only (i) for 1 year, with respect to Hansgrohe and Commercial products, and (ii) for 5 years, with respect to AXOR products.

THIS WARRANTY DOES NOT COVER, AND HANSGROHE WILL NOT PAY FOR:

- A. Conditions, malfunctions or damage not resulting from defects in material or workmanship.
- B. Conditions, malfunctions or damage resulting from (1) normal wear and tear, improper installation, improper maintenance, misuse, abuse, negligence, accident or alteration, or (2) the use of abrasive or caustic cleaning agents or "no-rinse" cleaning products, or the use of the product in any manner contrary to the product instructions. (3) Conditions in the home such as excessive water pressure or corrosion.
- C. Labor or other expenses for the disconnection, deinstallation, or return of the product for warranty service, or for installation or reinstallation of the product (including but not limited to proper packaging and shipping costs), or for installation or reinstallation of the product.
- D. Accessories, connected materials and products, or related products not manufactured by Hansgrohe.

TO OBTAIN WARRANTY PARTS OR INFORMATION

Contact your Hansgrohe retailer, or contact Technical Service at:

Hansgrohe Inc.  
1492 Bluegrass Lakes Parkway  
Alpharetta GA 30004  
Toll-free (800) 334-0455.

In requesting warranty service, you will need to provide

- 1. The sales receipt or other evidence of the date and place of purchase.
- 2. A description of the problem.
- 3. Delivery of the product or the defective part, postage prepaid and carefully packed and insured, to Hansgrohe Inc. 1492 Bluegrass Lakes Parkway, Alpharetta, Georgia 30004, Attention: Technical Service, if required by Hansgrohe.

When warranty service is completed, any repaired or replacement product or part will be returned to you postage prepaid.

EXCLUSIONS AND LIMITATIONS

REPAIR OR REPLACEMENT (OR, IN LIMITED CIRCUMSTANCES, REFUND OF THE PURCHASE PRICE) AS PROVIDED UNDER THIS WARRANTY IS THE EXCLUSIVE REMEDY OF THE PURCHASER. HANSGROHE NEITHER ASSUMES NOR AUTHORIZES ANY PERSON TO CREATE FOR IT ANY OBLIGATION OR LIABILITY IN CONNECTION WITH THIS PRODUCT.

HANSGROHE SHALL NOT BE LIABLE TO PURCHASER OR ANY PERSON FOR ANY INCIDENTAL, SPECIAL, OR CONSEQUENTIAL DAMAGES, ARISING OUT OF BREACH OF THIS WARRANTY OR ANY IMPLIED WARRANTY (INCLUDING MERCHANTABILITY).

Some States do not allow the exclusion or limitation of incidental or consequential damages, so the above limitation or exclusion may not apply to you. This warranty gives you specific legal rights, and you may have other rights which vary from State to State. You may be required by law to give us a reasonable opportunity to correct or cure any failure to comply before you can bring any action in court against us under the Magnuson-Moss Warranty Act.

PRODUCT INSTRUCTIONS AND QUESTIONS

Upon purchase or prior to installation, please carefully inspect your Hansgrohe product for any damage or visible defect. Prior to installing, always carefully study the enclosed instructions on the proper installation and the care and maintenance of the product. If you have questions at any time about the use, installation, or performance of your Hansgrohe product, or this warranty, please call or write to us or call us toll-free at 800 334 0455.

**hansgrohe**

Hansgrohe, Inc. • 1490 Bluegrass Lakes Parkway • Alpharetta, GA 30004  
Tel. 770 360-9880 • Fax 770 360 9887

**[www.hansgrohe-USA.com](http://www.hansgrohe-USA.com)**