

Product Features

- 26" wallbar
- 63" Techniflex hose
- Croma E 75 2-Jet handshower with three spray modes: full, massage
- 2.5 gpm

Code Compliance

This unit meets or exceeds the following:

- ASME A112.18.1
- CSA B125.1
- Listed by IAPMO
- Approved for use in Massachusetts

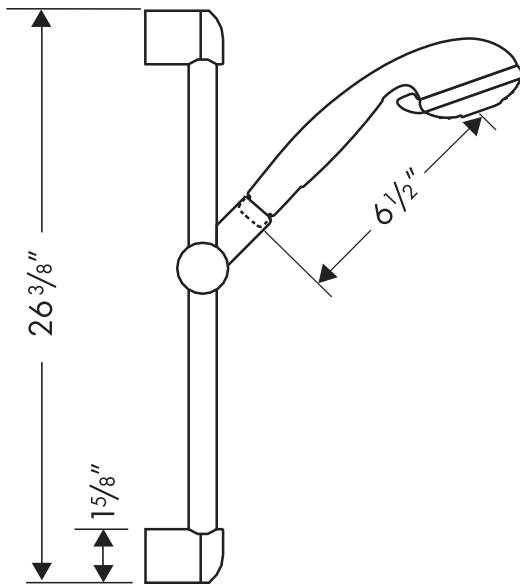
Available Finishes

Chrome

06496000

Brushed Nickel

06496820



Optional Accessories

External vacuum breaker

06510XX0

if required by local plumbing code

The measurements shown are for reference only.

Products and specifications shown are subject to change without notice.

Specification sheet revised 8/2009