



Buy it for looks. Buy it for life.®

# Specifications

## DESCRIPTION

- Single function spray with various finishes identified by suffix
- Immersion technology

## OPERATION

- Spray face tilts 20 degrees in any direction

## FLOW

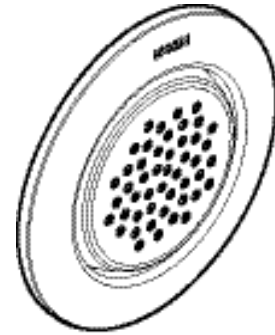
- Designed to deliver 2.0 gpm max (7.6 L/min) at 80 psi

## STANDARDS

- Third party certified to ASME A112.18.1/ CSA B125.1, and all applicable requirements referenced therein

## WARRANTY

- Lifetime limited warranty against leaks and finish defects to the original consumer purchaser
- 5 year warranty if used in commercial installations

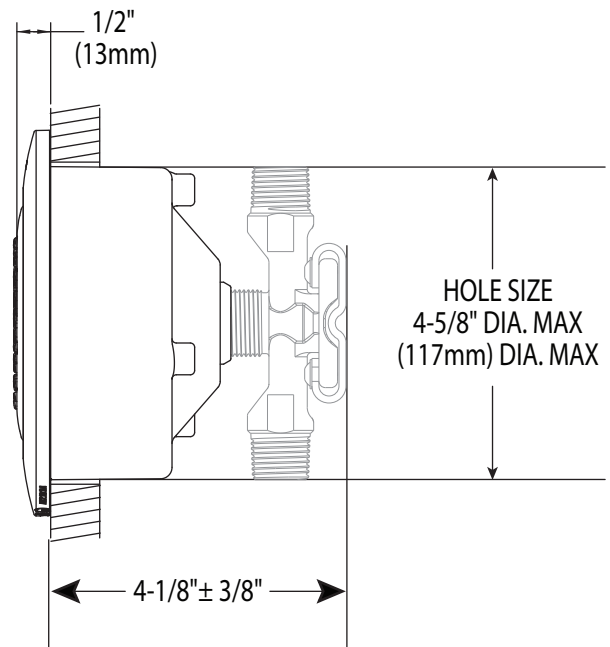
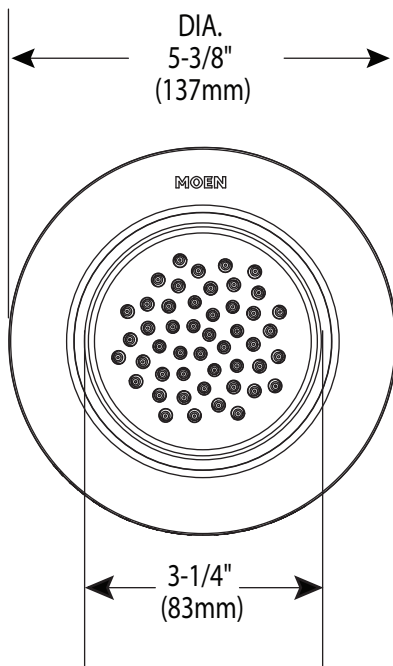


## Single Function Body Spray

**Models:** TS1322 series

**Rough-In:** S1300

**1" Extension Kit:** 155656  
(available separately)



## CRITICAL DIMENSIONS

(DO NOT SCALE)