

*There is more than 1 version of this model.  
Page down to identify the version you have.*





## DESCRIPTION

- Handheld shower
- Highly durable Chrome or Classic Brushed Nickel (CBN) PVD finish
- Quick cleaning rubber nozzles

## OPERATION

- Single-function spray pattern
- Easy to operate non-positive pause button (reduces the flow of water to a trickle)

## FLOW

- 8349** (2.5gpm/9.5 lpm) - Chrome finish
- 8349CBN** (2.5gpm/9.5 lpm) - CBN finish
- 8349EP17** (1.75gpm/6.6 lpm) - Chrome finish; **WaterSense® Certified** 
- 8349EP17CBN** (1.75gpm/6.6 lpm) - CBN finish; **WaterSense® Certified** 
- 8349EP15** (1.5gpm/5.7 lpm) - Chrome finish; **WaterSense® Certified** 
- 8349EP15CBN** (1.5gpm/5.7 lpm) - CBN finish; **WaterSense® Certified** 

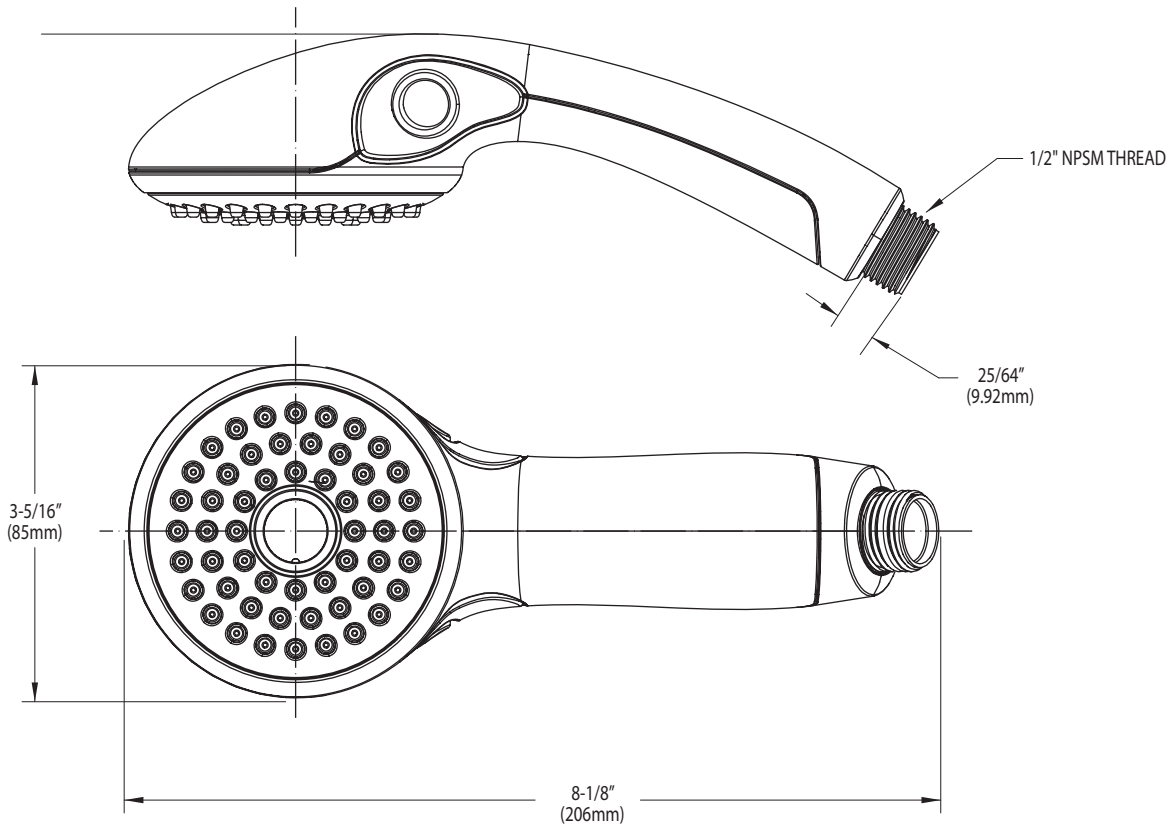
## Single Function Handheld Shower

## STANDARDS

- Third party certified to WaterSense® (only applies to 1.75 and 1.5 gpm), ASME A112.18.1/CSA B125.1, ICC A117.1 and all applicable requirements referenced therein

## WARRANTY

- Warranted for 5 years against material or manufacturing defects



## CRITICAL DIMENSIONS

(DO NOT SCALE)

**DESCRIPTION**

- Handheld shower
- High impact chrome plated plastic
- Quick cleaning rubber nozzles

**OPERATION**

- Single-function spray pattern

**FLOW**

- Designed to deliver 2.5 gpm (9.5 L/min) MAX

**STANDARDS**

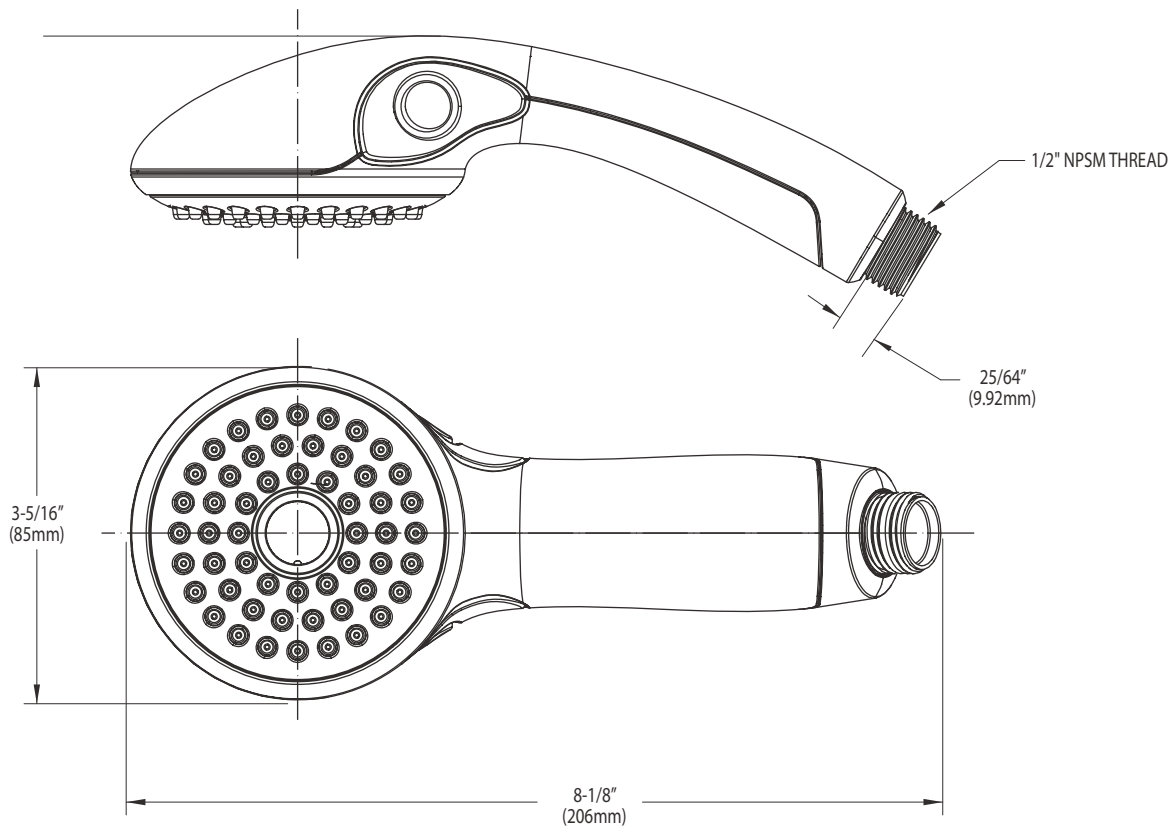
- Third party certified to ASME A112.18.1/CSA B125.1, ICC A115.1 and all applicable requirements referenced therein

**WARRANTY**

- Warranted for 5 years against material or manufacturing defects

## Single Function Handheld Shower

**Model: 8349**



### **CRITICAL DIMENSIONS**

(DO NOT SCALE)