



Buy it for looks. Buy it for life.®

Specifications

FAUCET DESCRIPTION

- Metal construction with various finishes identified by suffix
- Flexible supplies with 3/8" compression fittings
- Includes Protégé side spray with Hydrolock® quick connect system

OPERATION

- Lever style handle
- Operates with less than 5 lbs. of force

FLOW

- Aerator is limited to 2.0 gpm max (7.6 L/min)

CARTRIDGE

- 1255™ Duralast™ cartridge for Single-Handle Faucets
- Nonmetallic/nonferrous and stainless steel material

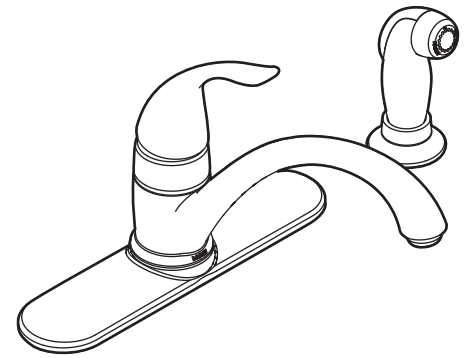
STANDARDS

- Third party certified to ASME A112.18.1/CSA B-125.1 and all applicable requirements referenced therein including NSF 61/9
- Meets Georgia SB370 requirements
- Contains no more than 0.25% weighted average lead content
- Complies with California Proposition 65 and with the Federal Safe Drinking Water Act

- **ADA**  for lever handle

WARRANTY

- Lifetime limited warranty against leaks, drips and finish defects to the original consumer purchaser
- 5 year warranty if used in commercial installations

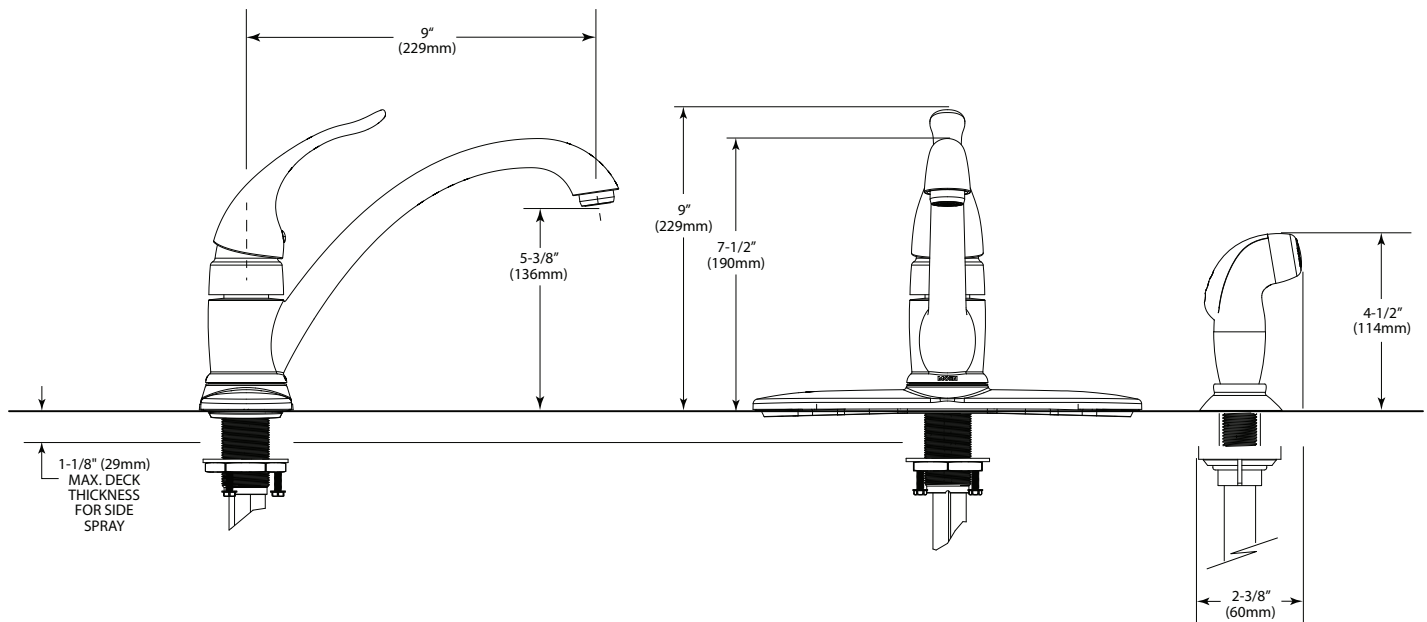


Single Handle Lever Kitchen Faucet with Protégé Side Spray

Models: CA87480 series
CA87485 series (less side spray)

NOTE: THIS FAUCET IS DESIGNED TO BE INSTALLED THROUGH 4 HOLES 1-1/4" (32mm) MIN. DIA. AND 4" (102mm) ON CENTER.

Also has single hole mount capability.



CRITICAL DIMENSIONS

(DO NOT SCALE)

FOR MORE INFORMATION CALL: 1-800-BUY-MOEN

www.moen.com

Rev. 2/12

Hydrolock® is a registered trademark of COOPER STANDARD AUTOMOTIVE INC.

MOEN SPEC 159 300012167 Rev.04.11