



Buy it for looks. Buy it for life.®

There is more than 1 version of this model.  
Page down to identify the version you have.

**DESCRIPTION**

- Reflex™ pulldown system offers smooth operation, easy movement and secure docking
- Metal construction with various finishes identified by suffix
- Hydrolock® quick connect installation
- Pullout spray with 68" braided hose
- Flexible supply lines with 3/8" compression fittings
- 360° rotating spout provides ability to install handle on either side

**OPERATION**

- Lever style handle
- Operates with less than 5 lbs. of force
- Operates in stream or spray mode in the pullout or retracted position

**FLOW**


- Flow is limited to 1.5 gpm (5.7 L/min) at 60 psi

**CARTRIDGE**

- 1255™ Duralast™ cartridge

**STANDARDS**

- Third party certified to IAPMO Green, ASME A112.18.1/CSA B125.1 and all applicable requirements referenced therein including NSF 61/9
- Meets CalGreen and Georgia SB370 requirements
- Contains no more than 0.25% weighted average lead content
- Complies with California Proposition 65 and with the Federal Safe Drinking Water Act

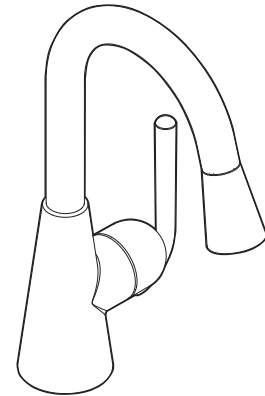
- **ADA**  for lever handle

- The backflow protection system in the device consists of two independently operating check valves, a primary and a secondary which prevent backflow

**WARRANTY**

- Lifetime limited warranty against leaks, drips and finish defects to the original consumer purchaser
- 5 year warranty if used in commercial installation

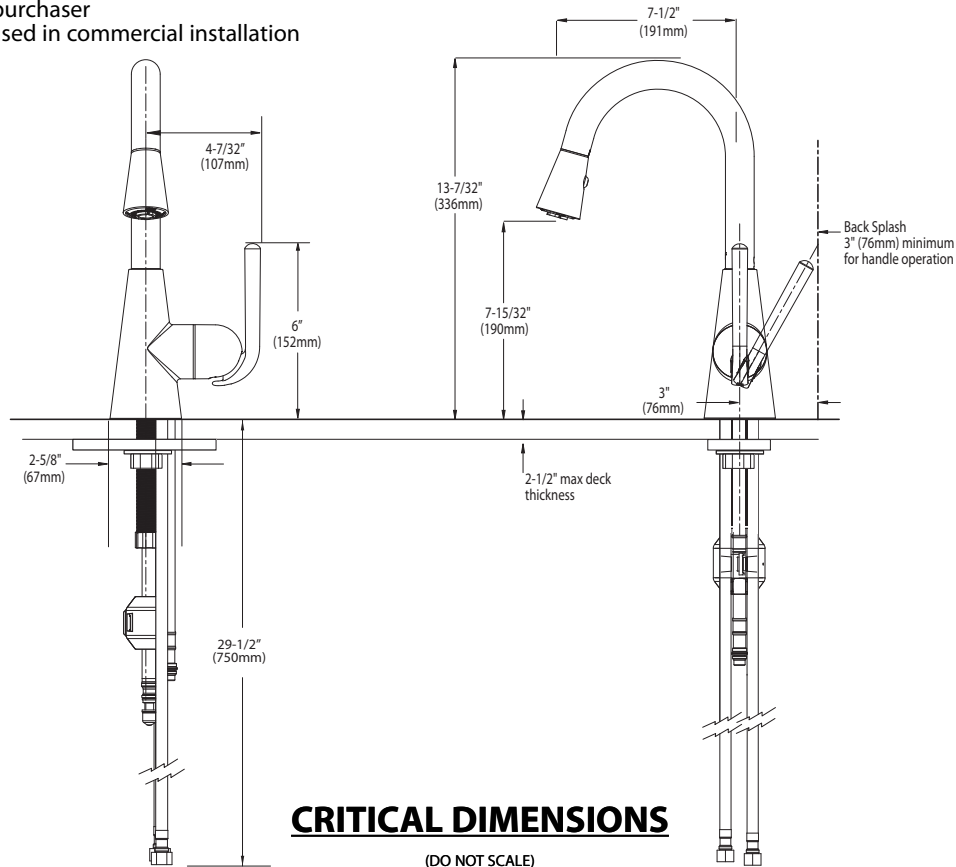
# Specifications



**ASCENT™**  
**Single Handle High Arc**  
**Pullout Bar/Prep Faucet**

**Model:** S61708 series

**NOTE:** THIS FAUCET IS DESIGNED TO BE INSTALLED THRU 1 HOLE, 1-1/2" (38mm) MIN. DIA.



**FOR MORE INFORMATION CALL: 1-800-BUY-MOEN**

**www.moen.com**



Buy it for looks. Buy it for life.®

# Specifications

## DESCRIPTION

- Metal construction with various finishes identified by suffix
- Hydrolock® quick connect installation
- Pullout spray with 68" braided hose
- Flexible supply lines with 3/8" fittings connect directly to supply stop
- 360° rotating spout provides ability to install handle on either side

## OPERATION

- Lever style handle
- Operates with less than 5 lbs. of force
- Operates in stream or spray mode in the pullout or retracted position


## FLOW

- Flow is limited to 2.2 gpm (8.3 L/min) at 60 psi

## CARTRIDGE

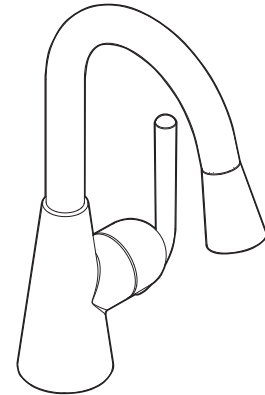
- Ceramic disc cartridge
- Non-metallic, non-ferrous and ceramic materials

## STANDARDS

- Third party certified to ASME A112.18.1/CSA B125.1 and all applicable requirements referenced therein including NSF 61/9
- Complies with California Proposition 65 and with the Federal Safe Drinking Water Act
- **ADA**  for lever handle
- The backflow protection system in the device consists of two independently operating check valves, a primary and a secondary which prevent backflow

## WARRANTY

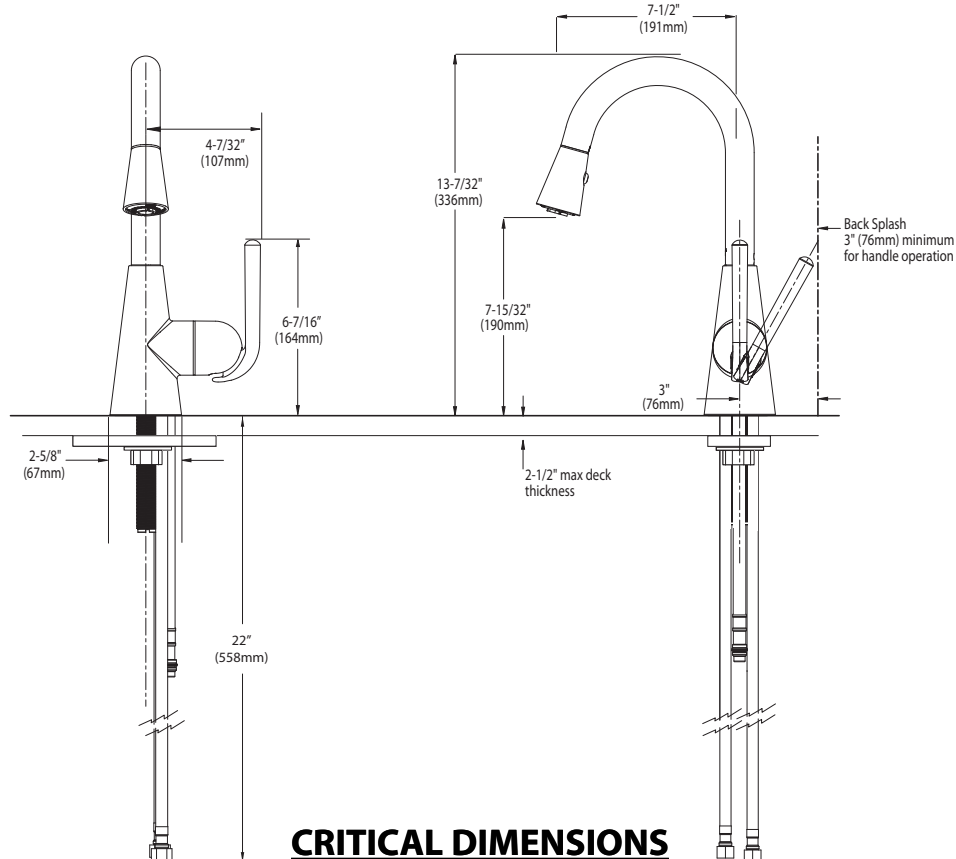
- Lifetime limited warranty against leaks, drips and finish defects to the original consumer purchaser
- 5 year warranty if used in commercial installation



**ASCENT™**  
**Single Handle High Arc**  
**Pullout Bar/Prep Faucet**

**Model:** S61708 series

**NOTE:** THIS FAUCET IS DESIGNED TO BE INSTALLED THRU 1 HOLE, 1-1/2" (38mm) MIN. DIA.



## CRITICAL DIMENSIONS

(DO NOT SCALE)

**FOR MORE INFORMATION CALL: 1-800-BUY-MOEN**

**www.moen.com**