



Buy it for looks. Buy it for life.®

There is more than 1 version of this model.
Page down to identify the version you have.

DESCRIPTION

- Metal construction with various finishes identified by suffix
- Flexible supplies with 3/8" compression fittings
- Designed to be installed through 2, 1-1/4" (32mm) min. dia. holes
- Hydrolock® quick connect installation

OPERATION

- Lever style handle
- Temperature controlled by 100° arc of handle travel

FLOW

- Spout flow is limited to 2.0 gpm (7.6 L/min) at 60 psi

CARTRIDGE

- 1255™ Duralast™ cartridge

STANDARDS

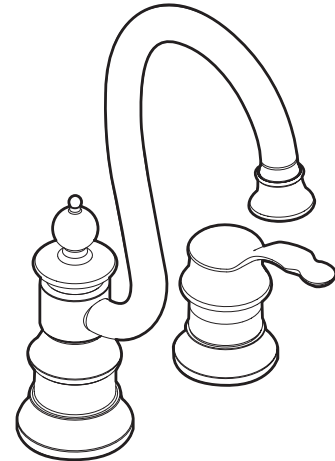
- Third party certified to ASME A112.18.1/CSA B125.1 and all applicable requirements referenced therein including NSF 61/9
- Contains no more than 0.25% weighted average lead content
- Complies with California Proposition 65 and with the Federal Safe Water Drinking Act

- **ADA** for lever handle

WARRANTY

- Lifetime limited warranty against leaks, drips and finish defects to the original consumer purchaser
- 5 year warranty if used in commercial installations

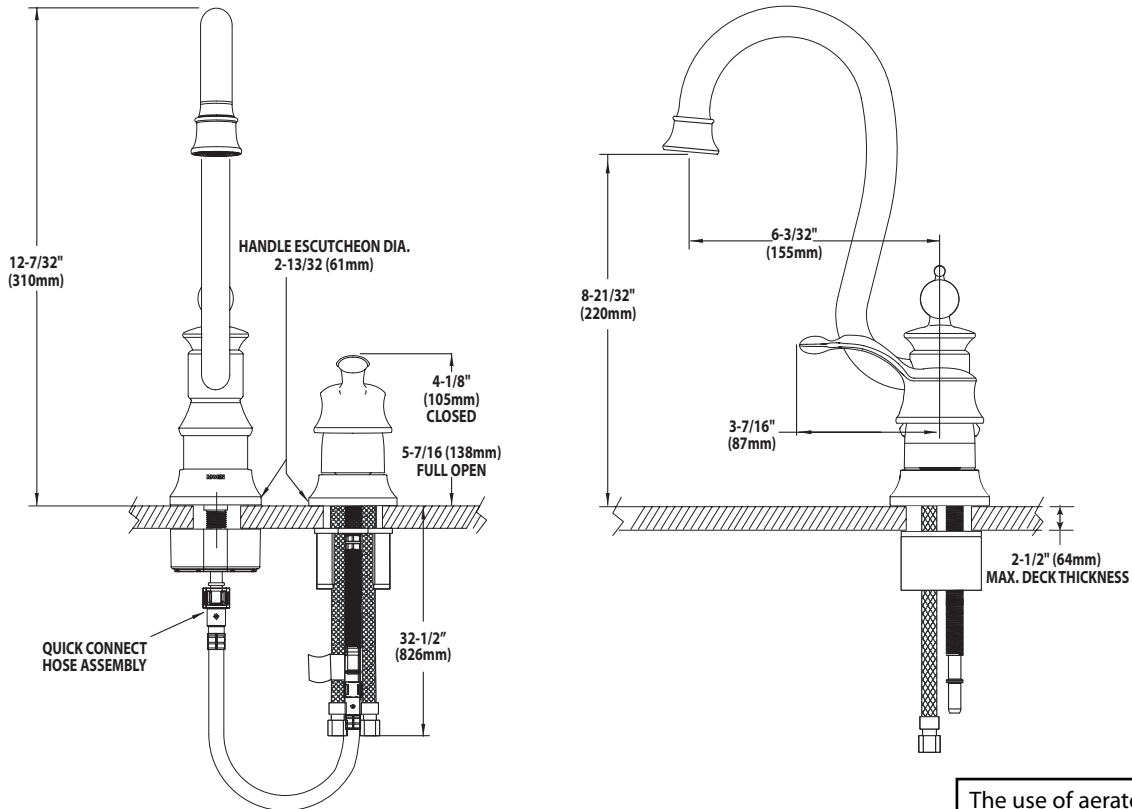
Specifications



WATERHILL™
Single-Handle Bar Faucet

Models: S611series

NOTE: DESIGNED TO INSTALL THROUGH 2 HOLES
1-1/4" (32MM) MIN. DIA. AND 4" (102MM) ON CENTER



CRITICAL DIMENSIONS

(DO NOT SCALE)

The use of aerator part 116711 reduces flow to a maximum of 1.5 gpm (5.7L/min.)

FOR MORE INFORMATION CALL: 1-800-BUY-MOEN

www.moen.com



Buy it for looks. Buy it for life.®

Specifications

DESCRIPTION

- Metal construction with various finishes identified by suffix
- 1/2" IPS connections will accept standard ball nose connection for 3/8" tubing
- Includes hot and cold temperature indicator
- Designed to be installed through 2, 1-1/4" (32mm) min. dia. holes
- Hydrolock® quick connect installation

OPERATION

- Lever style handle
- Temperature controlled by 130° arc of handle travel


FLOW

- Aerator is limited to 2.0 gpm (7.6 L/min) at 60 psi

CARTRIDGE

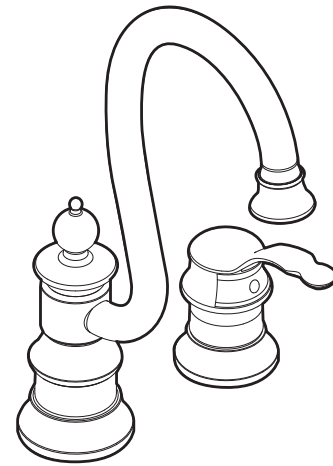
- 1225 cartridge design with nonmetallic/nonferrous and stainless steel materials

STANDARDS

- Third party certified to ASME A112.18.1/CSA B125.1 and all applicable requirements therein including NSF 61/9
- Complies with California Proposition 65 and with the Federal Safe Drinking Water Act
- **ADA**  for lever handle

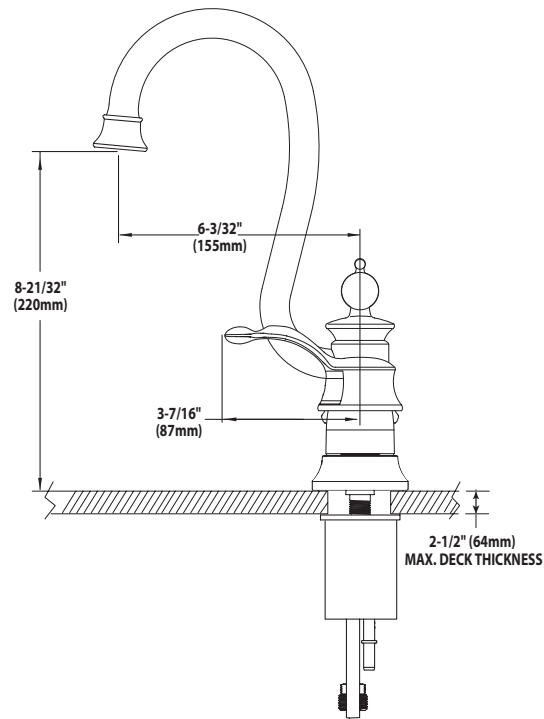
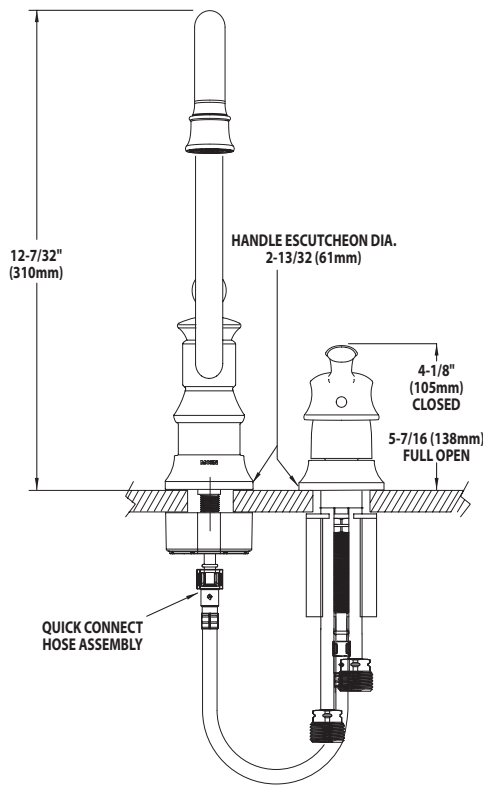
WARRANTY

- Lifetime limited warranty against leaks, drips and finish defects to the original consumer purchaser
- 5 year warranty if used in commercial installations



Waterhill™
Single-Handle Bar Faucet
Models: S611series

NOTE: DESIGNED TO INSTALL THROUGH 2 HOLES 1-1/4" (32MM) MIN. DIA. AND 4" (102MM) ON CENTER



CRITICAL DIMENSIONS

(DO NOT SCALE)

The use of aerator part 116711 reduces flow to a maximum of 1.5 gpm (5.7L/min.)