



Buy it for looks. Buy it for life.®

Specifications

DESCRIPTION

- Brass construction
- 3/4" IPS connections
- Thermostatic valve design with integral checkstops

OPERATION

- Temperature lever operates through a 340 degree arc with maximum cold at full clockwise rotation and maximum hot at full counterclockwise rotation
- Safety stop preset temperature at 105 degrees F (41degrees C)
- Safety stop override allows maximum temperature at 120 degrees F (49 degrees C)
- Factory established temperature range from 80 degrees F (27 degrees C) to 120 degrees F (49 degrees C)
- Must be used with at least one S3600 valve.

CARTRIDGE

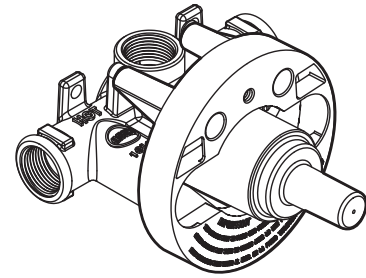
- Thermostatic cartridge design with non metallic/nonferrous materials

STANDARDS

- Third party certified to meet ASME A112.18.1/CSA B-125.1, CSA B125.3, ASSE 1016, ASSE 1070 and all applicable requirements referenced therein

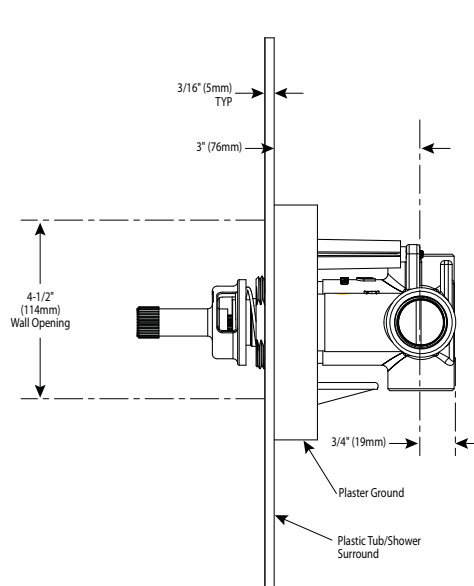
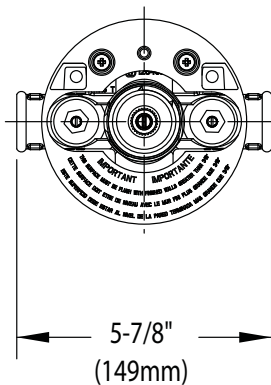
WARRANTY

- Lifetime limited warranty against leaks, drips and finish defects to the original consumer purchaser
- 5 year warranty if used in commercial installations

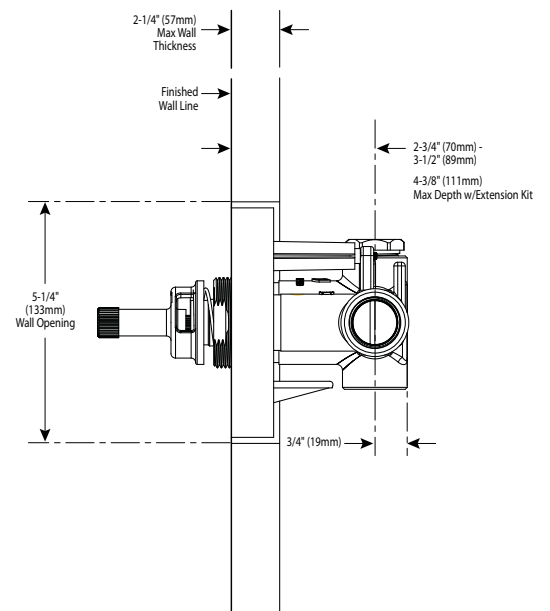


ExactTemp® 3/4" Thermostatic Valve

Model: S3371



Thin Wall



Thick Wall

CRITICAL DIMENSIONS

(DO NOT SCALE)

FOR MORE INFORMATION CALL: 1-800-BUY-MOEN

www.moen.com