

**DESCRIPTION**

- Brass construction with chrome plated finish
- 1/2" IPS connections
- 8" widespread
- Vandal resistant torx head screws
- Vandal resistant aerator

**OPERATION**

- Lever style handles with hot and cold color indicators

**FLOW**

- Standard aerator is limited to 2.2 gpm max. (8.3 L/min)

**CARTRIDGE**

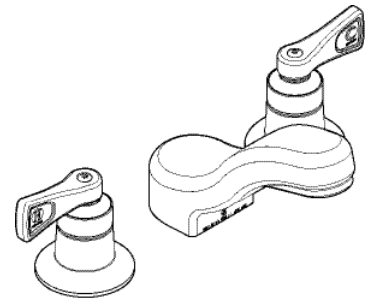
- Brass shell, ceramic disc cartridge
- 1/4 turn operation

**STANDARDS**

- Third party certified to ASME A112.18.1/CSA B125.1 and all applicable requirements referenced therein
- Certified to NSF 61/9
- Contains no more than 0.25% weighted average lead content
- Complies with California Proposition 65 and with the Federal Safe Drinking Water Act
- **ADA** for lever handles

**WARRANTY**

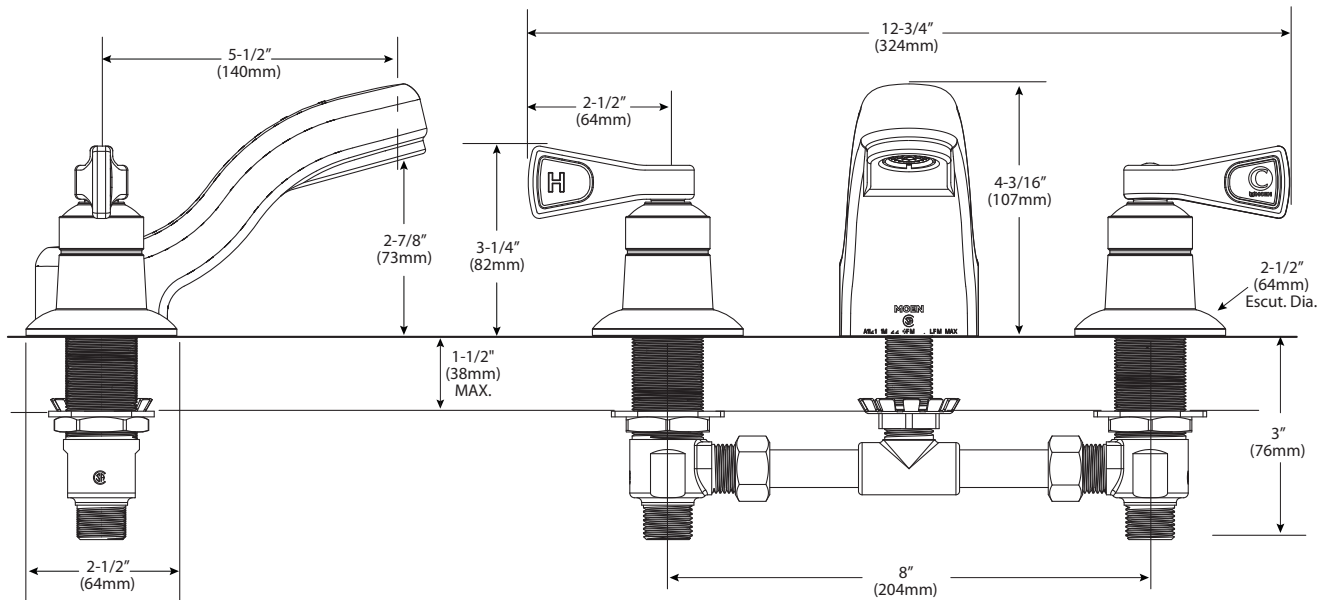
- Warranted for 5 years against material or manufacturing defects



Two-Handle Lavatory Faucet		
MODEL	FLOW (gpm)	DRAIN
8220	2.2	Without
8220F05	0.5	Without
8223	2.2	Metal
8224	2.2	Grid



**NOTE:** Designed to be installed through 3 holes - 1" min. dia.



**CRITICAL DIMENSIONS**

(DO NOT SCALE)