

### SINK DESCRIPTION

- Manufactured of 18 gauge stainless steel
- Single bowl is 21" x 16" x 10" deep
- The sink ledge has three fixture mounting holes, 1-1/2" in diameter and 4" on center
- Has one 3-1/2" diameter recessed drain openings
- Soundshield undercoating maximizes sound deadening and inhibits condensation
- Made in USA
- Includes all necessary mounting hardware

### CUT OUT DIMENSIONS

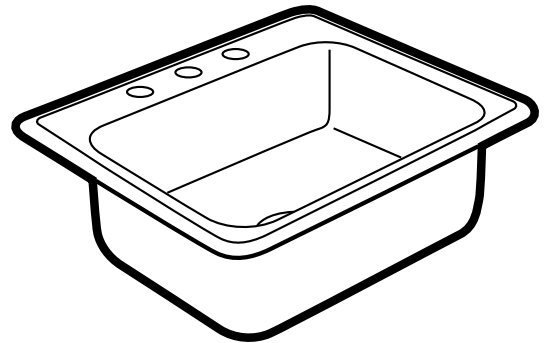
- Cut out dimensions are 24 3/8" x 21 3/8", with a 1-1/4" corner radius. A tolerance of plus or minus 1/16" is acceptable

### STANDARDS

- Third party certified to ASME A12.19.3M/CSA B45.4 and all applicable specifications referenced therein

### WARRANTY

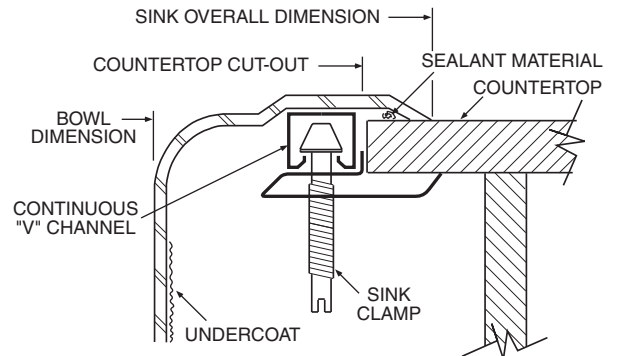
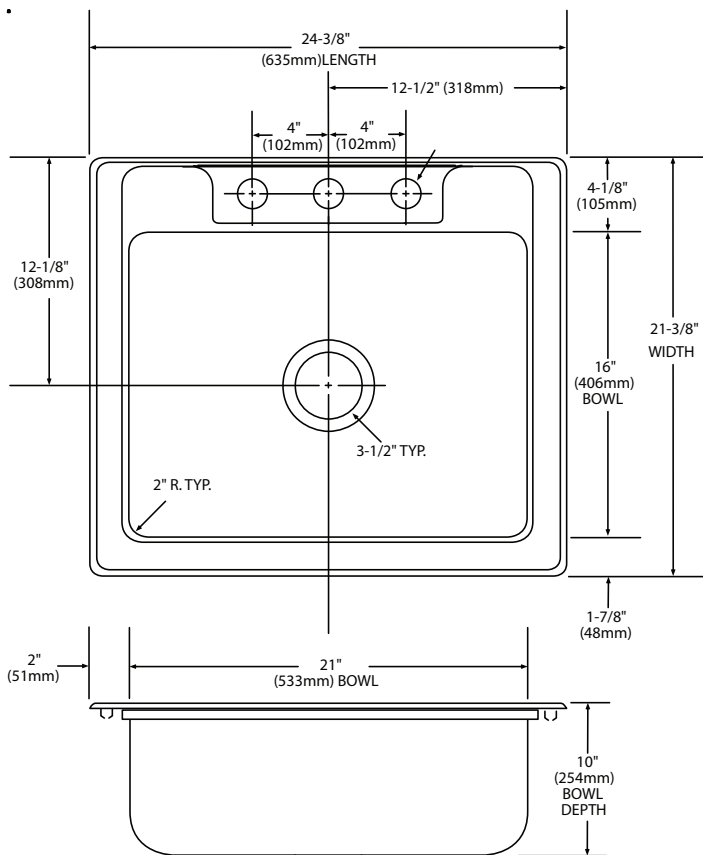
- Warranted for five years against material or manufacturing defects



**Single Bowl Kitchen Sink**

**Model: 22125**

**(HD-2522-3)**



**Installation Detail**

## CRITICAL DIMENSIONS

(DO NOT SCALE)