

There is more than 1 version of this model.
Page down to identify the version you have.

DESCRIPTION

- Metal construction with chrome plated finish
- 1/2" IPS connections
- Supplied with vandal resistant screws
- Includes side spray with Hydrolock® quick connect system

OPERATION

- Lever style handles with hot and cold color indicators
- Rotate the hot side handle 1/4 turn counterclockwise to open and clockwise to close
- Rotate the cold side handle 1/4 turn clockwise to open and counterclockwise to close

FLOW


- Aerator is limited to 2.0 gpm max. (7.6 L/min)

CARTRIDGE

- 1224 cartridge design
- Nonmetallic and stainless steel material

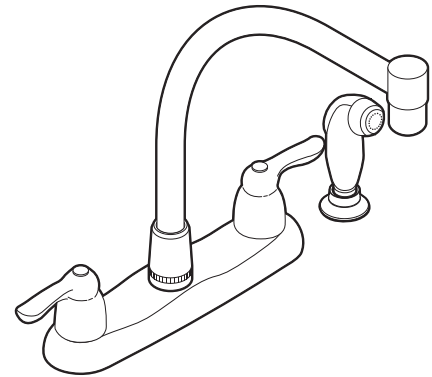
STANDARDS

- Third party certified to meet ASME A112.18.1/CSA B-125.1 and all applicable specifications referenced therein
- Certified to NSF 61/9
- Complies with California Proposition 65 and with the Federal Safe Drinking Water Act

- **ADA**  for lever handles

WARRANTY

- Warranted for five years against material or manufacturing defects

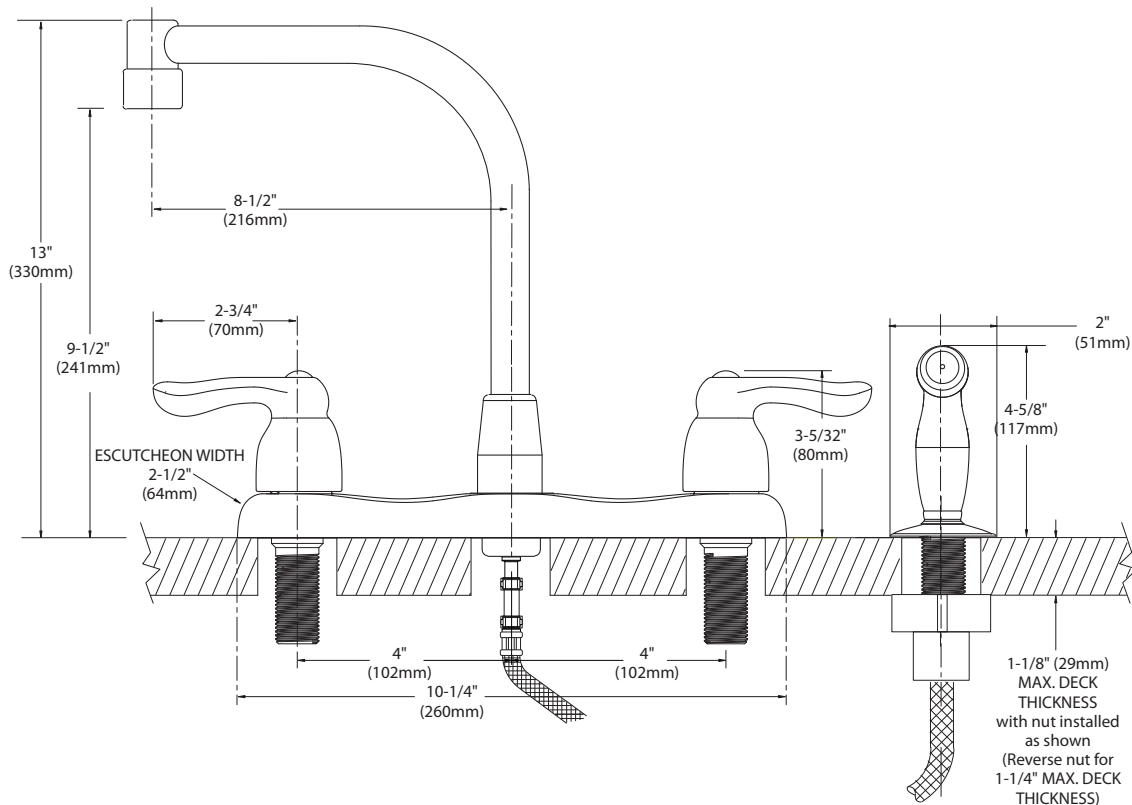


Two-Handle High Arc Kitchen Faucet with Side Spray

Model: 8792



NOTE: This faucet is designed to be installed through 4 holes, 1" min. dia. and 4" on centers



CRITICAL DIMENSIONS

(DO NOT SCALE)

DESCRIPTION

- Metal construction with chrome plated finish
- 1/2" IPS connections
- Supplied with vandal resistant screws
- Includes hose and spray

OPERATION

- Lever style handles with hot and cold color indicators
- Rotate the hot side handle 1/4 turn counterclockwise to open (clockwise to close) and rotate the cold side handle 1/4 turn clockwise to open (counterclockwise) to close

FLOW


- 2.2 MAX. gpm (8.3 L/min) aerator

CARTRIDGE

- 1224 cartridge design
- Nonmetallic and stainless steel material

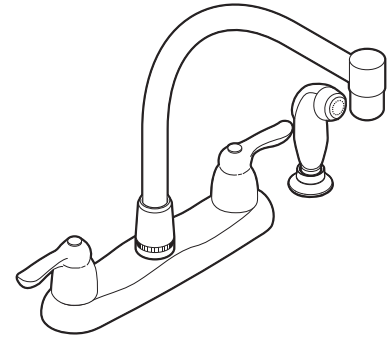
STANDARDS

- Third party certified by CSA to meet CSA B125.1, ASME A112.18.1, and all applicable specifications referenced therein and complies with the requirements of ANSI A117.1, NSF 61/9, and California Proposition 65.

- ADA  for lever handles

WARRANTY

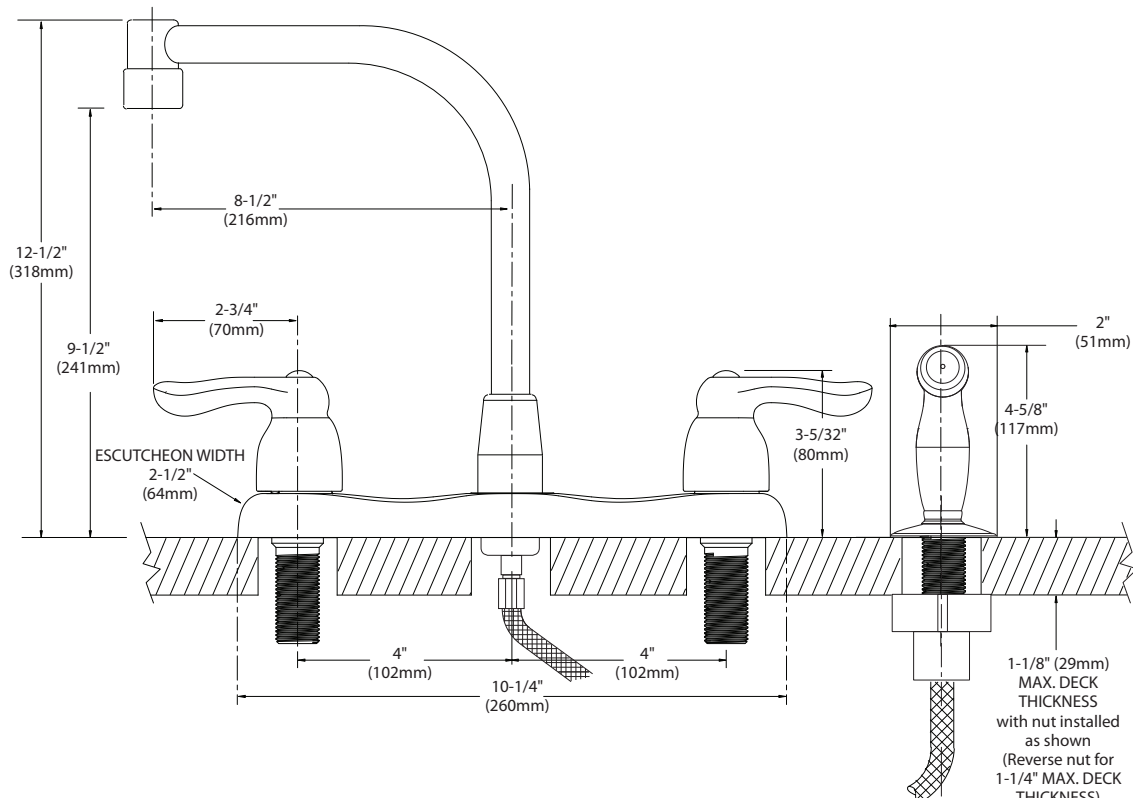
- Warranted for 5 years against material or manufacturing defects



Two-Handle High Arc Kitchen Faucet with Side Spray

Model: 8792

NOTE: Designed to be installed through 4 holes - 1" min. dia. and on 4" on center



CRITICAL DIMENSIONS

(DO NOT SCALE)