

There is more than 1 version of this model.
Page down to identify the version you have.

DESCRIPTION

- Chrome plated brass construction
- Less spout
- 1/2" IPS connections


OPERATION

- 4" wrist blade handles with hot and cold color indicators and vandal resistant screws

CARTRIDGE

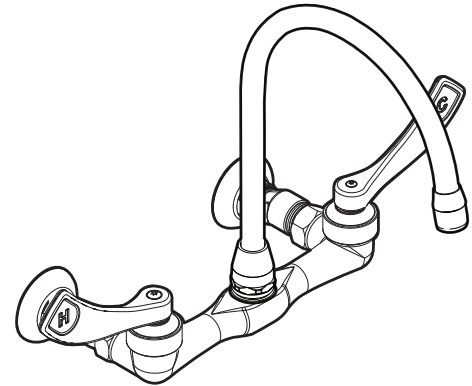
- Ceramic 28mm cartridge design
- Nonmetallic and nonferrous material
- 1/4 turn operation

STANDARDS

- Designed and manufactured to comply with the requirements of: CSA B125.1, ASME A112.18.1 and all specifications referenced therein and complies with the requirements of ANSI A117.1
- Contains no more than 0.25% weighted average lead content
- Certified to ANSI/NSF 61/9
- Complies with California Proposition 65 and the Federal Safe Drinking Water Act
- **ADA**  for lever handles

WARRANTY

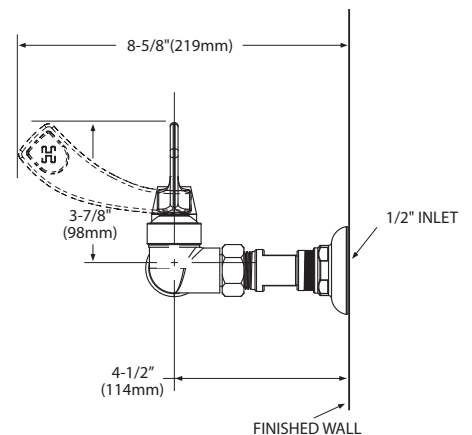
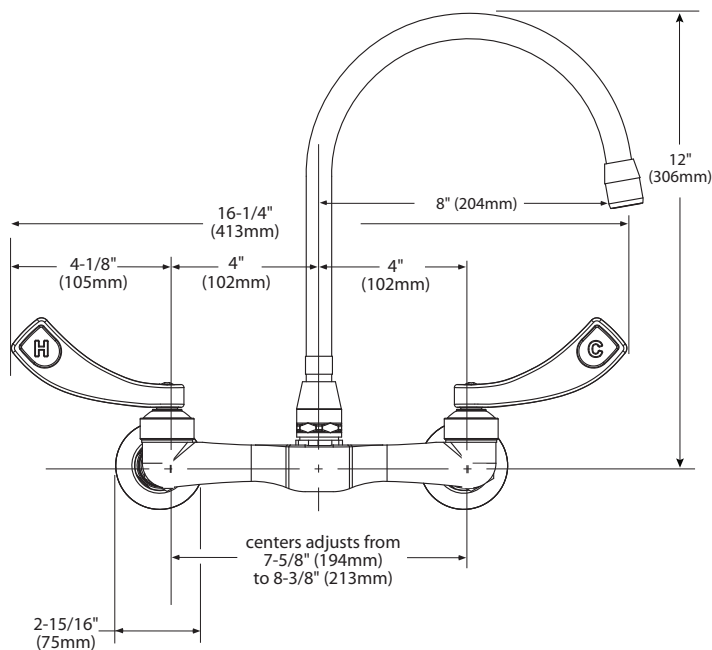
- Warranted for 5 years against material or manufacturing defects



Two-Handle Wall Mount Faucet

Model: 8126

For Models After 3/2011



CRITICAL DIMENSIONS

(DO NOT SCALE)

DESCRIPTION

- Chrome plated brass construction
- Less spout
- 1/2" IPS connections

OPERATION


- 4" wrist blade handles with hot and cold color indicators and vandal resistant screws

CARTRIDGE

- Ceramic 28mm cartridge design
- Nonmetallic and nonferrous material
- 1/4 turn operation

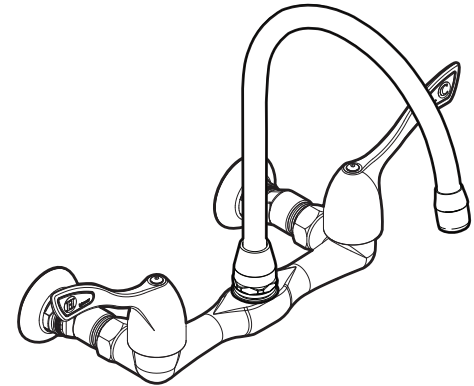
STANDARDS

- Designed and manufactured to comply with the requirements of: CSA B125.1, ASME A112.18.1 and all specifications referenced therein and complies with the requirements of ANSI A117.1
- Certified to ANSI/NSF 61/9
- Complies with California Proposition 65 and the Federal Safe Drinking Water Act

- **ADA**  for lever handles

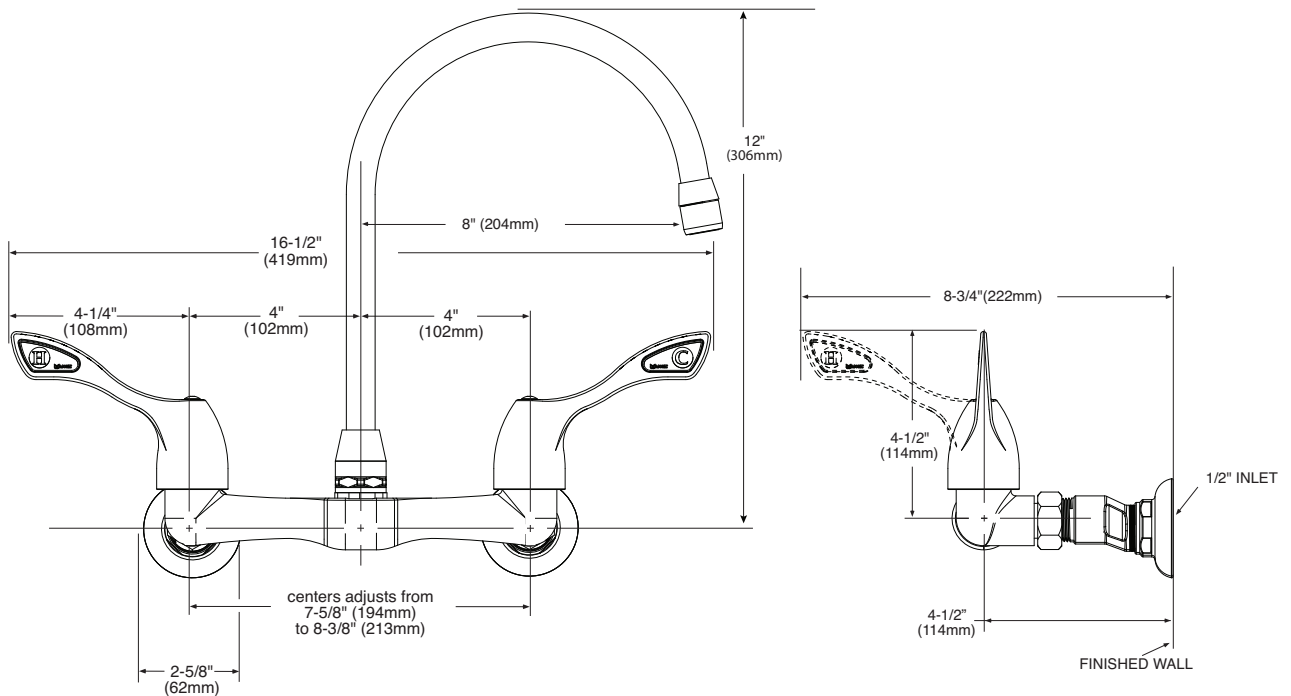
WARRANTY

- Warranted for 5 years against material or manufacturing defects



Two-Handle Wall Mount Faucet

Model: 8126



CRITICAL DIMENSIONS

(DO NOT SCALE)