

## DESCRIPTION

- Brass construction with chrome plated finish
- 1/2" IPS connections
- 8" widespread
- Vandal resistant torx head screws
- Vandal resistant aerator

## OPERATION

- Wrist blade handles with hot and cold color indicators


## FLOW

- Aerator is limited to .5 gpm max. (8.3 L/min)

## CARTRIDGE

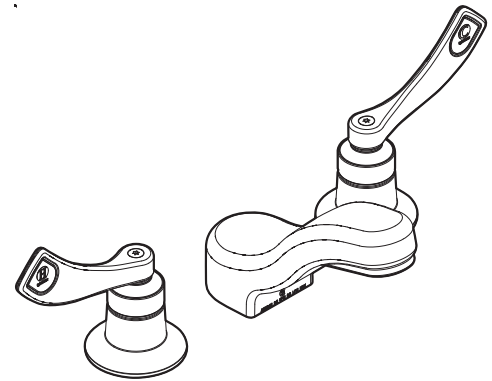
- Brass shell, ceramic disc cartridge
- 1/4 turn operation

## STANDARDS

- Third party certified to meet ASME A112.18.1/CSA B125.1 and all applicable specifications referenced therein
- Certified to NSF 61/9
- Contains no more than 0.25% weighted average lead content
- Complies with California Proposition 65 and with the Federal Safe Drinking Water Act
- **ADA**  for lever handles

## WARRANTY

- Warranted for 5 years against material or manufacturing defects

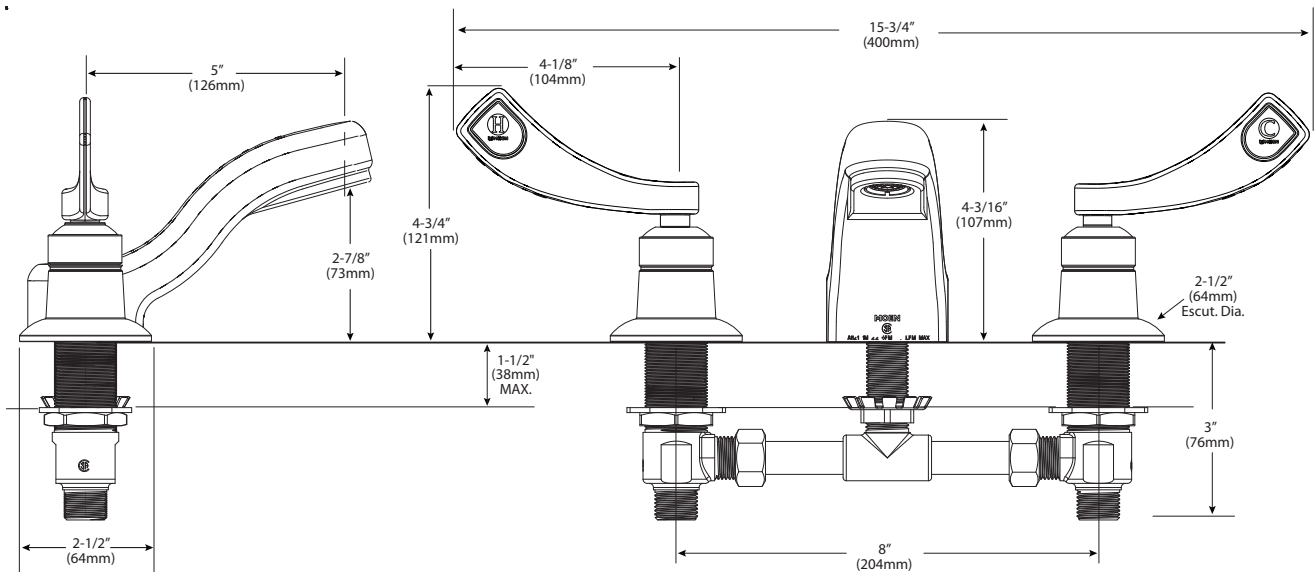


## Two-Handle Lavatory Faucet

Model: 8237



**NOTE:** Designed to be installed through 3 holes - 1" min. dia.



## CRITICAL DIMENSIONS

(DO NOT SCALE)