



Buy it for looks. Buy it for life.®

Specifications

There is more than 1 version of this model.
Page down to identify the version you have.

DESCRIPTION

- Metal construction with various finishes identified by suffix

OPERATION

- Mini blade style handles with hot and cold color indicators
- Inlet shanks will accept 3/8" ball nose connections

FLOW

- Spout flow is limited to 2.0 gpm (7.6 L/min) at 60 psi

CARTRIDGE

- 1224 cartridge design

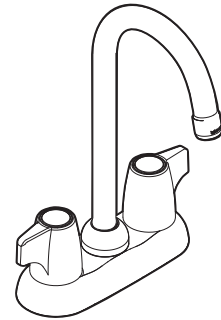
STANDARDS

- Third party certified to IAPMO Green, ASME A112.18.1/CSA B125.1 and all applicable requirements referenced therein including NSF 61/9
- Contains no more than 0.25% weighted average lead content
- Complies with California Proposition 65 and with the Federal Safe Drinking Water Act

- ADA  for lever handle

WARRANTY

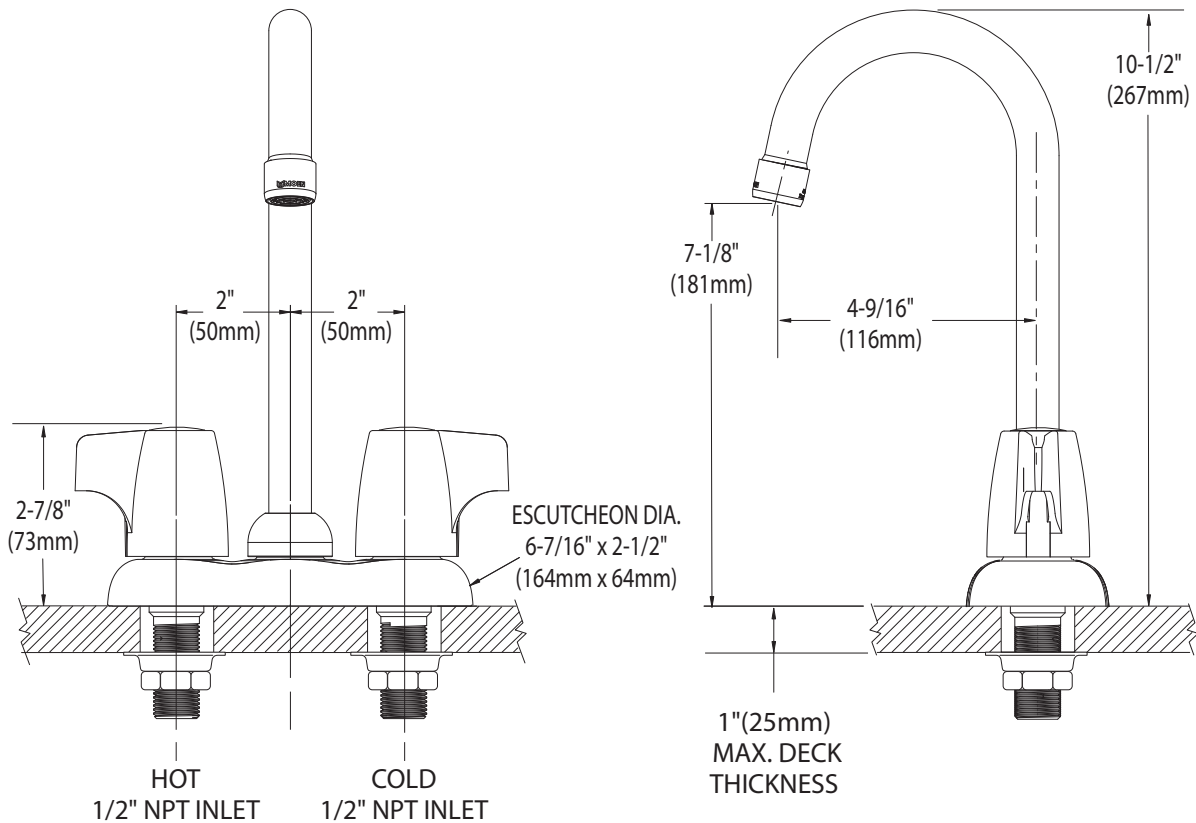
- Lifetime limited warranty against leaks, drips and finish defects



MOEN®
Two-Handle Bar Faucet

Models: 4903 series

NOTE: Designed to be installed through
2 - 1" min. dia. holes 4" on center



CRITICAL DIMENSIONS

(DO NOT SCALE)



Buy it for looks. Buy it for life.®

Specifications

DESCRIPTION

- Chrome plated metal construction

OPERATION

- Small lever style

FLOW

- Aerator is limited to 2.0 gpm (7.6 L/m)

CARTRIDGE

- 1224 cartridge design

STANDARDS

- Third party certified by CSA to meet CSA B-125, ASME A112.18.1M and all applicable requirements referenced therein and complies with the applicable requirements of ANSI A117.1
- Certified to ANSI/NSF 61/9
- Complies with California Proposition 65 and with the Federal Safe Drinking Water Act

WARRANTY¹

- Lifetime limited warranty against leaks, drips and finish defects



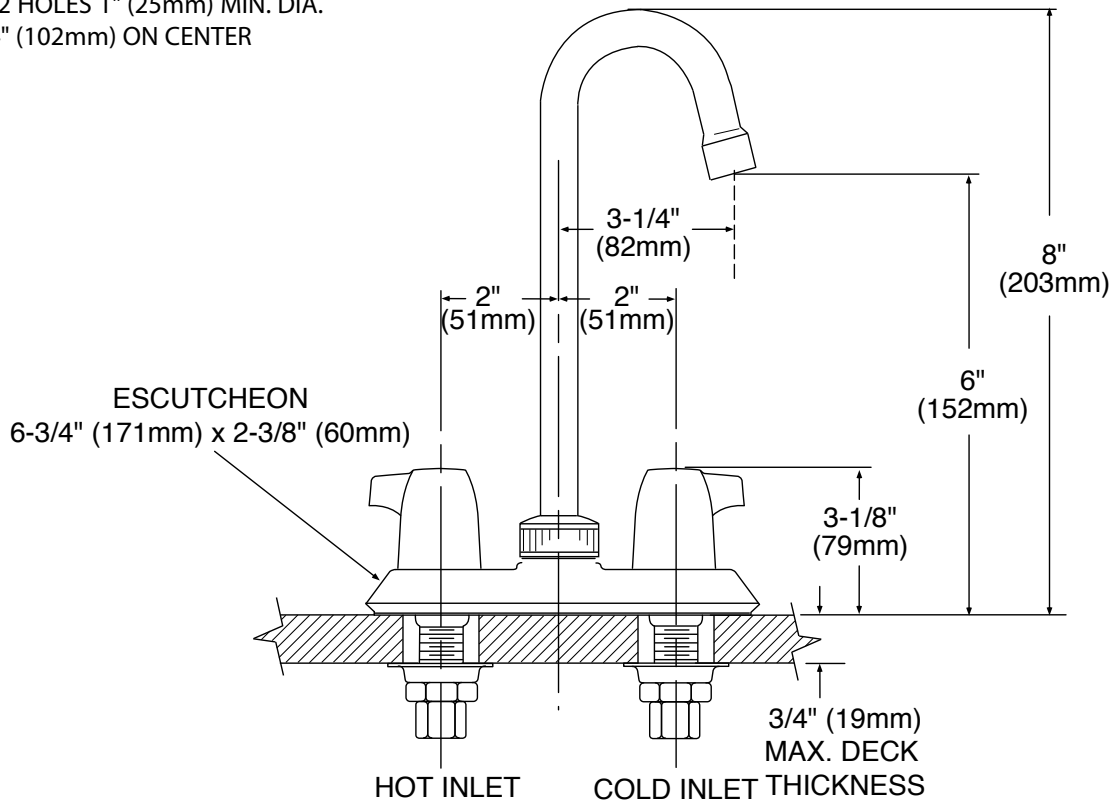
**MOEN®
Two Handle Bar Faucet**

Model: 4903, *87903

Bulk Model: *64904
(Bulk packed 12 per carton)

***64904, 87903 Discontinued 2/1/2004**

NOTE: DESIGNED TO INSTALL
THRU 2 HOLES 1" (25mm) MIN. DIA.
AND 4" (102mm) ON CENTER



CRITICAL DIMENSIONS

(DO NOT SCALE)