



Buy it for looks. Buy it for life.®

*There is more than 1 version of this model.
Page down to identify the version you have.*

FAUCET DESCRIPTION

- Metal construction with chrome plated finish
- Inlet shanks will accept 3/8" ball nose connections

OPERATION

- Knob style handles with hot and cold color indicators
- Rotate either handle counterclockwise to open and clockwise to close

FLOW

- Aerator is limited to 2.2 gpm max (8.3 L/min)

CARTRIDGE

- 1224 cartridge design
- Nonmetallic stainless steel material

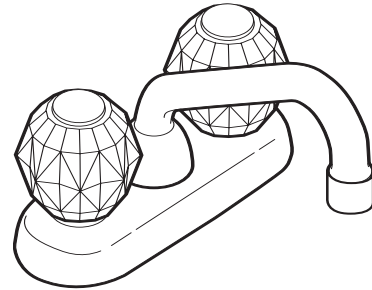
STANDARDS

- Designed and manufactured to meet ASME A112.18.1/CSA B-125.1 and all applicable requirements referenced therein
- Contains no more than 0.25% weighted average lead content

WARRANTY

- Lifetime limited warranty against leaks, drips and finish defects to the original consumer purchaser
- 5 year warranty if used in commercial installations

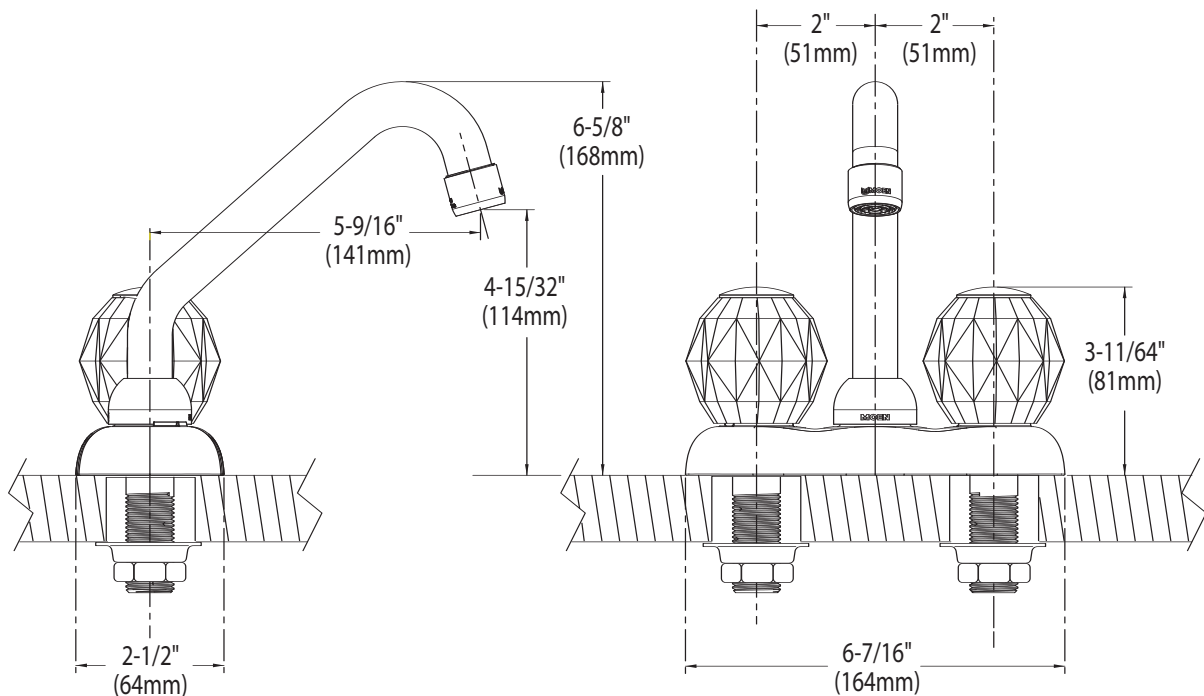
Specifications



CHATEAU®
Two Handle Laundry Faucet

Model: 4975

NOTE: Designed to be installed through
2 - 1" min. dia. holes 4" on center



CRITICAL DIMENSIONS

(DO NOT SCALE)



Buy it for looks. Buy it for life.®

Specifications

FAUCET DESCRIPTION

- Chrome plated metal construction
- Inlet shanks will accept 3/8" ball nose connections

OPERATION

- Knob style handles
- Counterclockwise on/Clockwise off

FLOW

- Aerator is limited to 2.2 gpm max (8.3 L/min)

CARTRIDGE

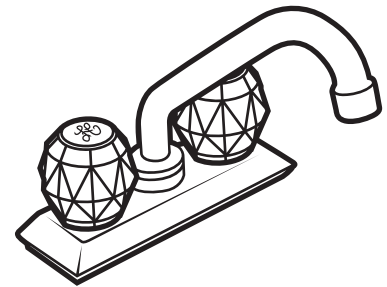
- 1224 cartridge design
- Nonmetallic stainless steel material

STANDARDS

- Designed and manufactured to meet ASME A112.18.1/CSA B-125.1 and all applicable requirements referenced therein

WARRANTY

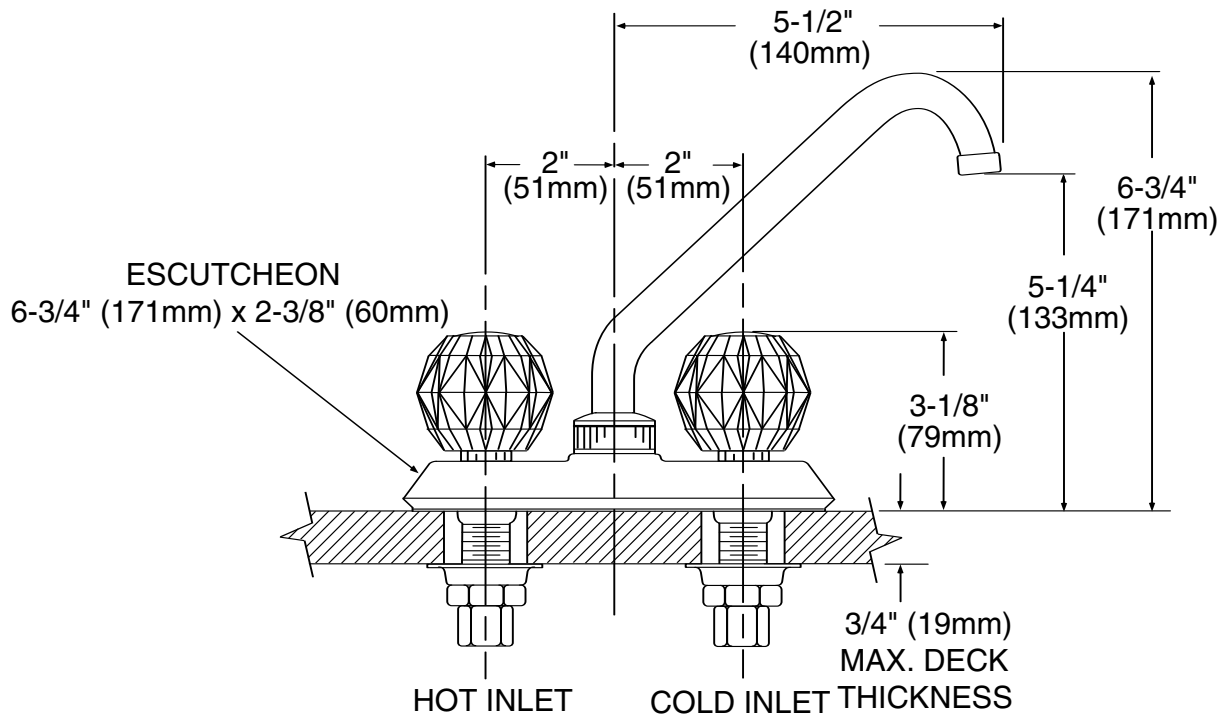
- Lifetime limited warranty against leaks, drips and finish defects to the original consumer purchaser
- 5 year warranty if used in commercial installations



CHATEAU®
Two Handle Laundry Faucet

Model: 4975

NOTE: DESIGNED TO INSTALL
THRU 2 HOLES 1" (25mm) MIN. DIA.
AND 4" (102mm) ON CENTER



CRITICAL DIMENSIONS

(DO NOT SCALE)