



Buy it for looks. Buy it for life.®

There is more than 1 version of this model.  
Page down to identify the version you have.

**FAUCET DESCRIPTION**

- Metal construction with various finishes identified by suffix
- Flexible supplies with 3/8" compression fittings
- Includes side spray with Hydrolock® quick connect system

**OPERATION**

- Lever style handle
- Temperature controlled by 100° arc of handle travel
- Operates with less than 5 lbs. of force

**FLOW**

- Spout flow is limited to 2.0 gpm (7.6 L/min) at 60 psi

**CARTRIDGE**

- 1255™ Duralast™ cartridge
- Nonmetallic/nonferrous and stainless steel material

**STANDARDS**

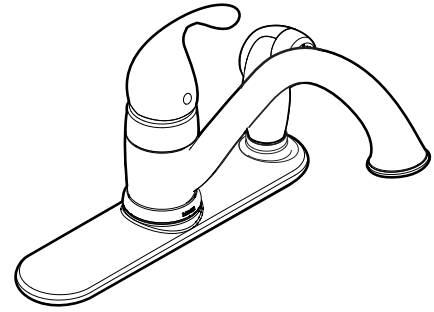
- Third party certified to ASME A112.18.1/CSA B-125.1, and all applicable requirements referenced therein including NSF61/9
- Contains no more than 0.25% weighted average lead content
- Complies with California Proposition 65 and with the Federal Safe Drinking Water Act

- **ADA**  for lever handle

**WARRANTY**

- Lifetime limited warranty against leaks, drips and finish defects to the original consumer purchaser
- 5 year warranty if used in commercial installations

# Specifications

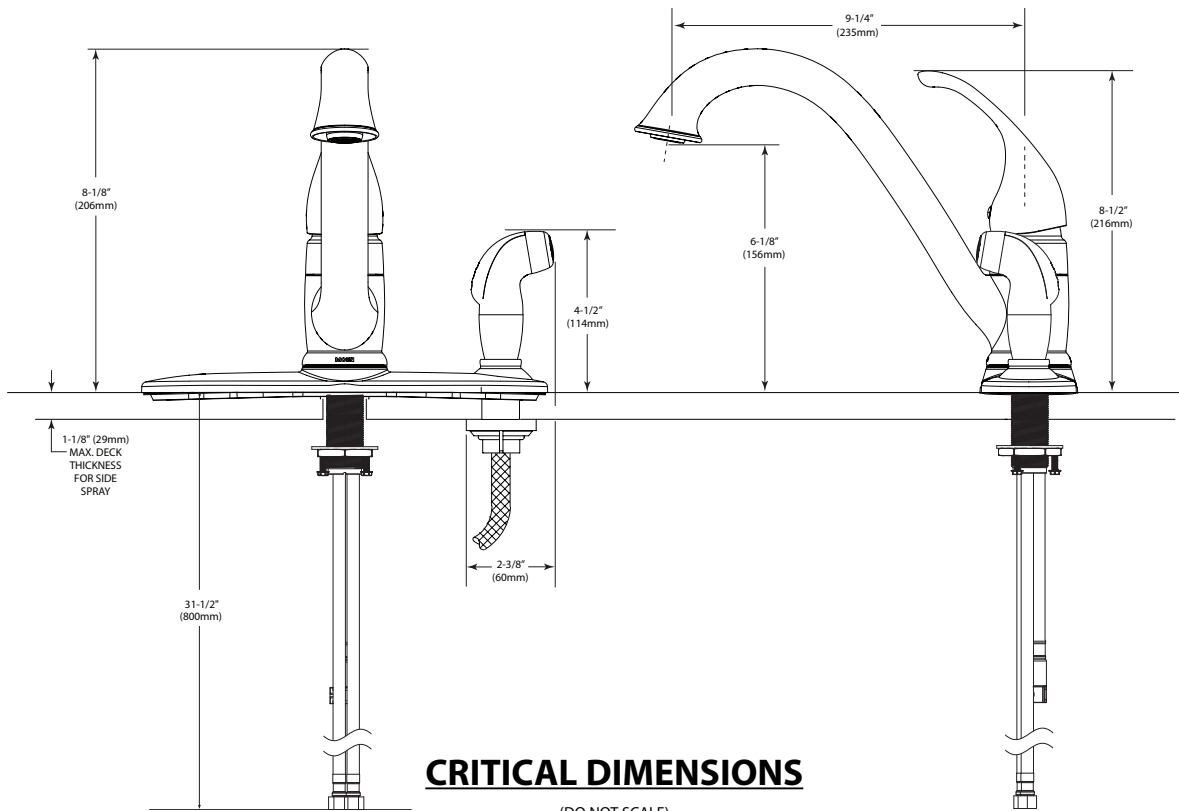


## Camerist™ Single Handle Lever Kitchen Faucet with Protégé® Side Spray

**Models:** 7835 series

**NOTE:** DESIGNED TO INSTALL THROUGH  
3 HOLES, 1-1/4" (32mm) MIN. DIA.

The use of aerator part 116711 reduces flow to a maximum of 1.5 gpm (5.7L/min.)



**FOR MORE INFORMATION CALL: 1-800-BUY-MOEN**

[www.moen.com](http://www.moen.com)



Buy it for looks. Buy it for life.®

# Specifications

## FAUCET DESCRIPTION

- Metal construction with various finishes identified by suffix
- Inlet shanks will accept 3/8" ball nose connections
- Includes side spray with Hydrolock® quick connect system

## OPERATION

- Lever style handle
- Temperature controlled by 180° arc of handle travel
- Operates with less than 5 lbs. of force

## FLOW


- Aerator is limited to 2.0 gpm (7.6 L/min) at 60 psi

## CARTRIDGE

- 1225 cartridge design
- Nonmetallic/nonferrous and stainless steel material

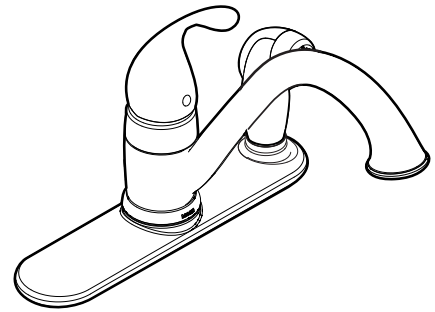
## STANDARDS

- Third party certified to: ASME A112.18.1/CSA B125.1, ICC A117.1 and all applicable requirements referenced therein
- Certified to ANSI/NSF 61/9
- Complies with California Proposition 65 and with the Federal Safe Water Drinking Act

- ADA  for lever handle

## WARRANTY

- Lifetime limited warranty against leaks, drips and finish defects to the original consumer purchaser
- 5 year warranty if used in commercial installations

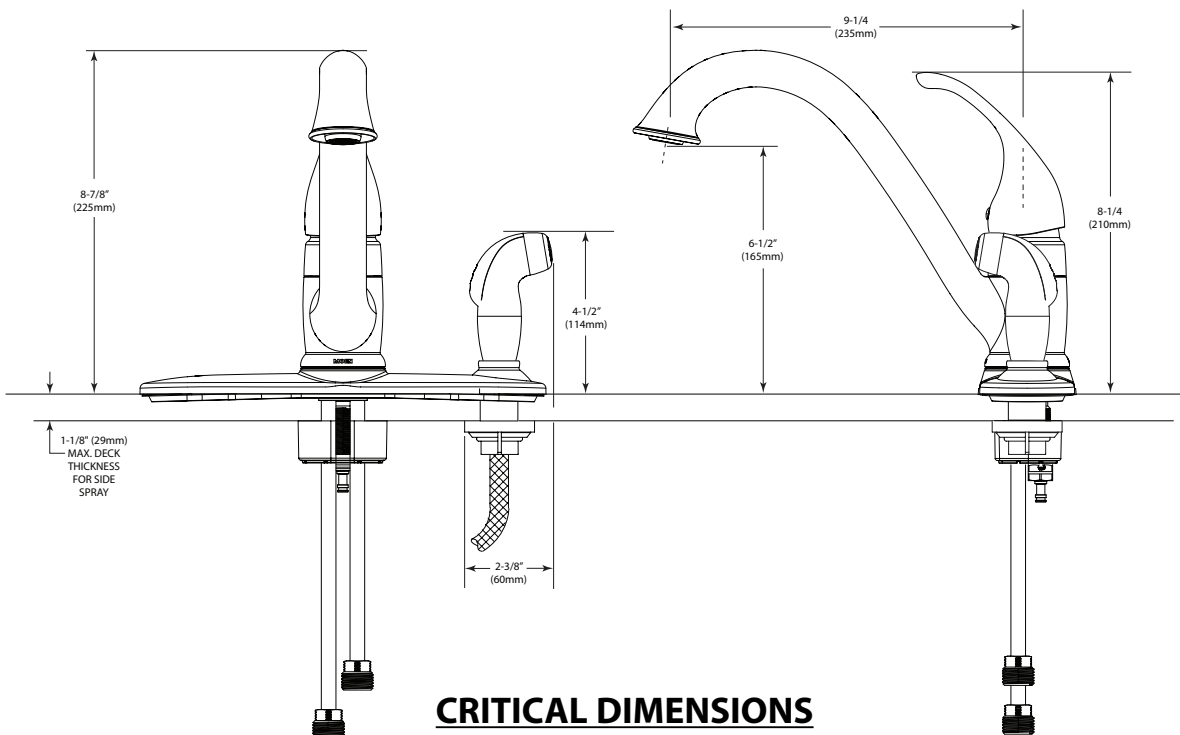


### Camerist™ Single Handle Lever Kitchen Faucet with Protégé® Side Spray

Models: 7835 series

**NOTE:** DESIGNED TO INSTALL THROUGH  
3 HOLES, 1-1/4" (32mm) MIN. DIA.

The use of aerator part 116711 reduces flow to a maximum of 1.5 gpm (5.7L/min.)



## CRITICAL DIMENSIONS

(DO NOT SCALE)