



Buy it for looks. Buy it for life.®

Specifications

DESCRIPTION

- Brass construction
- 1/2" IPS connections will accept standard ball nose connection for 3/8" tubing
- Diverter valve includes an integral vacuum breaker
- Includes pop-up waste assembly

OPERATION

- Handles have 180° rotation
- Hot side counterclockwise to open (clockwise to close)
- Cold side clockwise to open (counterclockwise to close)
- Water flow is diverted by turning the knob counterclockwise for fill and clockwise for rosetta spray

CARTRIDGE

- 94831 diverter cartridge
- 1224 cartridge design with hot and cold valves
- Nonmetallic and stainless steel material

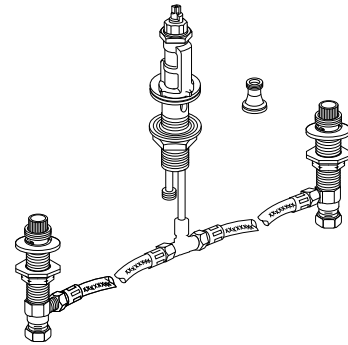
STANDARDS

When Trim Kit is added to M-Pact valve, the product is:

- Third party certified by CSA to meet CSA B-125, ASME A112.18.1M and all applicable requirements referenced therein

WARRANTY

- Lifetime limited warranty against leaks, drips and finish defects to the original consumer purchaser
- 5 year warranty if used in commercial installations



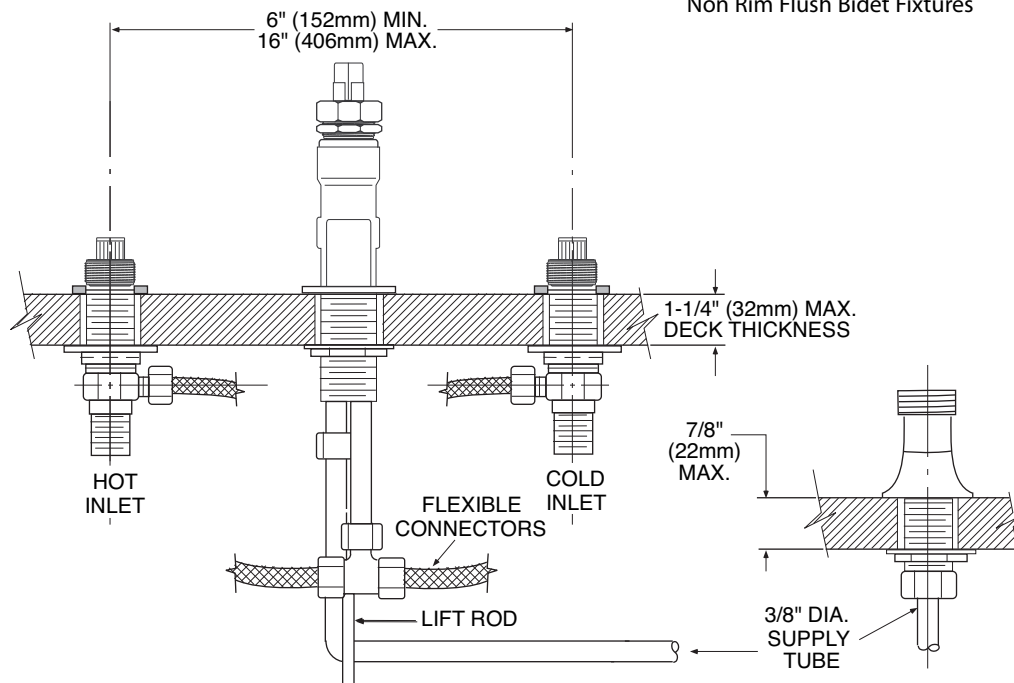
M-PACT VALVE Widespread Bidet Rough-in Valve

Model: 9200

NOTE: Minimum Diameter Holes for Installation
 Diverter Valve - 1-1/8" (25mm)
 Handle Valves - 1-1/8" (29mm)
 Spray Nozzle - 5/8" (16mm)
 Lift Rod Escutcheon - 1/2" (13mm)

NOTE: Maximum Hole Diameter 1.5"

NOTE: The 9200 valve can not be used with Non Rim Flush Bidet Fixtures



CRITICAL DIMENSIONS

(DO NOT SCALE)

FOR MORE INFORMATION CALL: 1-800-BUY-MOEN

www.moen.com