

### FAUCET DESCRIPTION

- Chrome plated metal construction
- 1/2" IPS connections
- Supplied with vandal resistant screws

### OPERATION

- Wrist Blade style handles with hot and cold color indicators
- Hot side counterclockwise (1/4) turn to open (clockwise to close)
- Cold side clockwise (1/4) turn to open (counterclockwise to close)

### FLOW

- 2.0 MAX. gpm (7.6 L/min) aerator

### CARTRIDGE

- 1224 cartridge design
- Nonmetallic and stainless steel construction

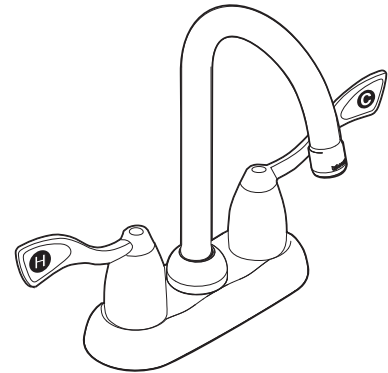
### STANDARDS

- Third party certified to CSA B-125.1, ASME A112.18.1, NSF61/9 and all applicable requirements referenced therein
- Contains no more than 0.25% weighted average lead content
- Complies with California Proposition 65 and with the Federal Safe Water Drinking Act

- **ADA**  for lever handles

### WARRANTY

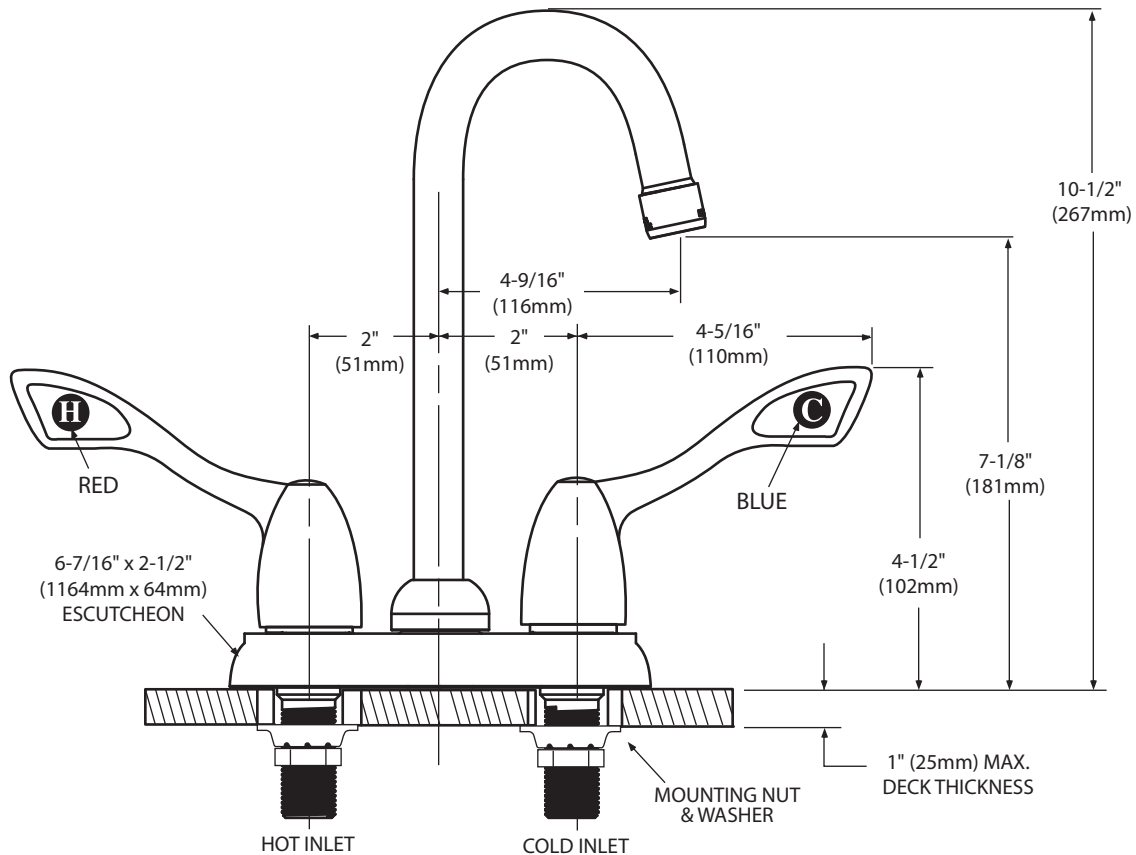
- Warranted for 5 years against material or manufacturing defects



**Two-Handle Bar Faucet**

**Model: CA8938**

**NOTE:** THIS FAUCET IS DESIGNED TO BE INSTALLED THROUGH 2 HOLES, 1" MIN. DIA. AND 4" ON CENTER



## CRITICAL DIMENSIONS

(DO NOT SCALE)