



Buy it for looks. Buy it for life.®

FAUCET DESCRIPTION

- Metal construction with various finishes identified by suffix
- Flexible supplies with 3/8" compression fittings
- Includes matching finish side spray

OPERATION

- Lever style handle
- Temperature controlled by 100° arc of handle travel
- Will operate with less than 5 lbs. of force

FLOW


- Aerator is limited to 2.2 gpm (8.3 L/min).

CARTRIDGE

- 1255™ Duralast™ cartridge

STANDARDS

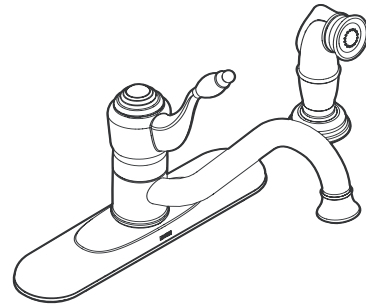
- Third party certified to CSA B-125.1, ASME A112.18.1, and all applicable requirements referenced therein including NSF61/9
- Contains no more than 0.25% weighted average lead content
- Complies with California Proposition 65 and with the Federal Safe Drinking Water Act

- ADA  for lever handles

WARRANTY

- Lifetime limited warranty against leaks, drips and finish defects to the original consumer purchaser
- 5 year warranty if used in commercial installations

Specifications



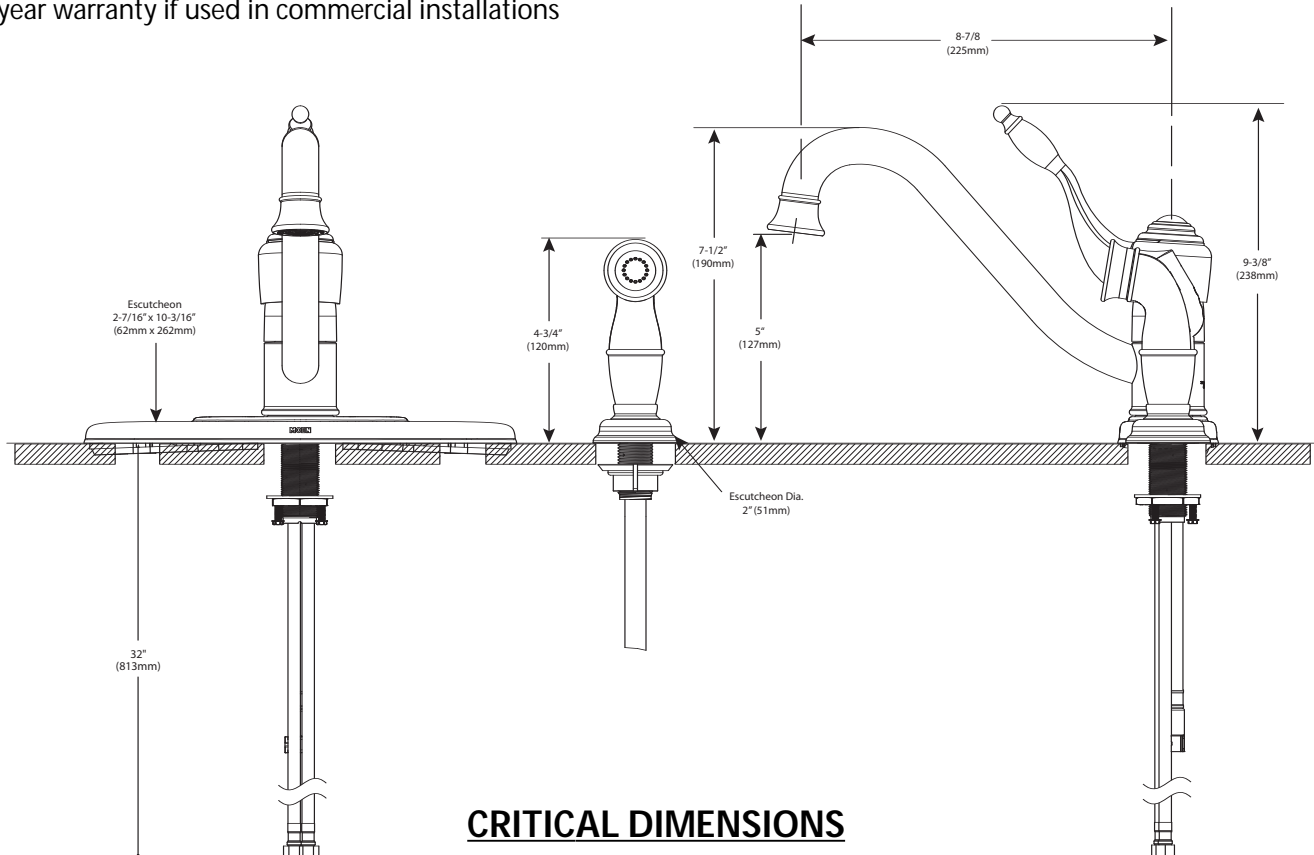
CASTLEBY™

Single-Handle Lever Kitchen Faucet

Models: CA7308 series with spray
CA7307 less spray

Bulk Models: CA67308 series with spray
CA67307 less spray

NOTE: Designed to install through
4 holes 1-1/4" (32mm) min. dia. and
4" (102mm) on center



CRITICAL DIMENSIONS

(DO NOT SCALE)