



INSTALLATION INSTRUCTIONS

THESE INSTRUCTIONS MUST BE LEFT WITH HOMEOWNER

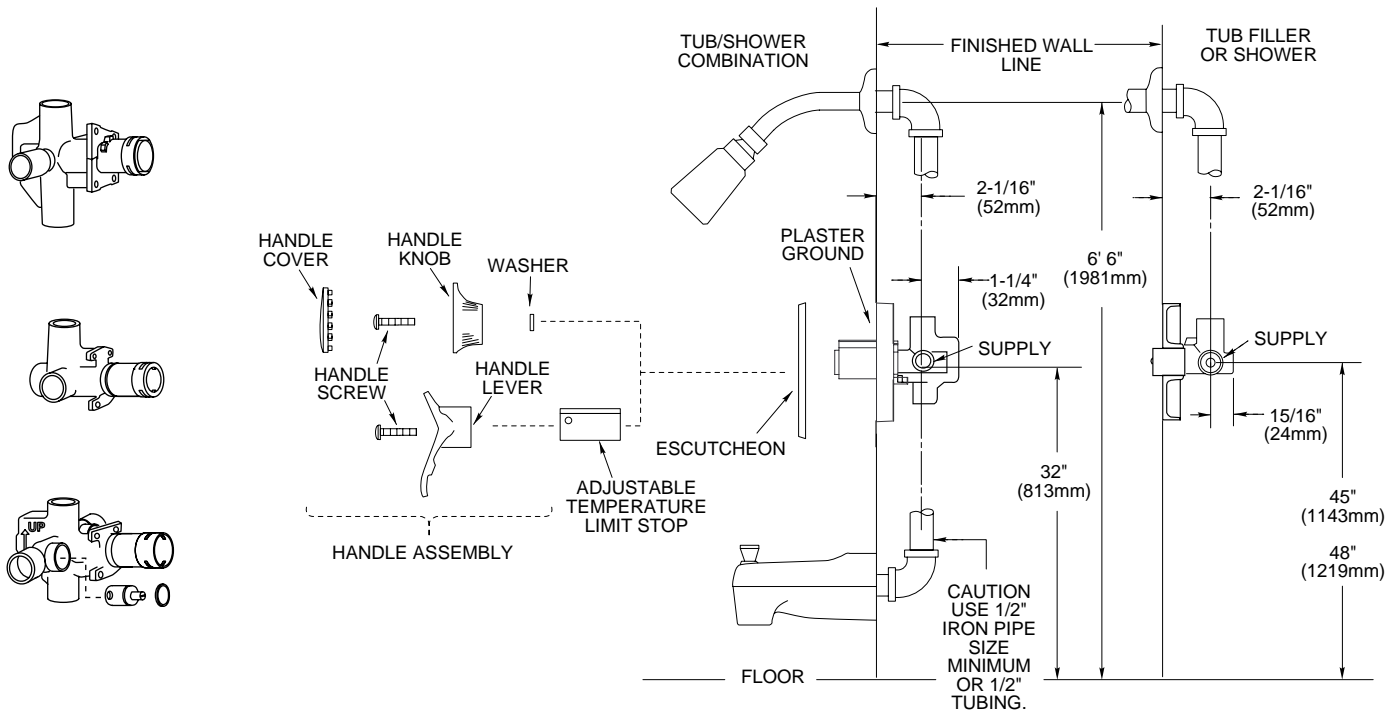
TUB AND SHOWER VALVES

Available with three or four port castings, with and without stops.
Connections are either 1/2 inch I.P.S. pipe or 1/2 inch copper sweat connections.
If the Moen Slip Fit spout is used, a 1/2 inch copper drop and lookout may be used.

Measurements

These are shown in the drawings. **The depth measurement is critical. Use the front face of the plaster ground as a reference point for the finished wall position, including tile (2-1/16" [52mm]).** The center line of the supply and discharge piping should be a maximum of 2-3/16" (56mm) and a minimum of 1-7/16" (37mm) behind the finished wall surface.

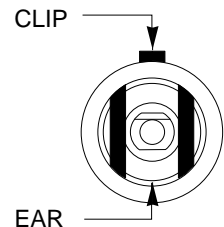
IMPORTANT: SEE FLUSHING INSTRUCTIONS PAGE 2

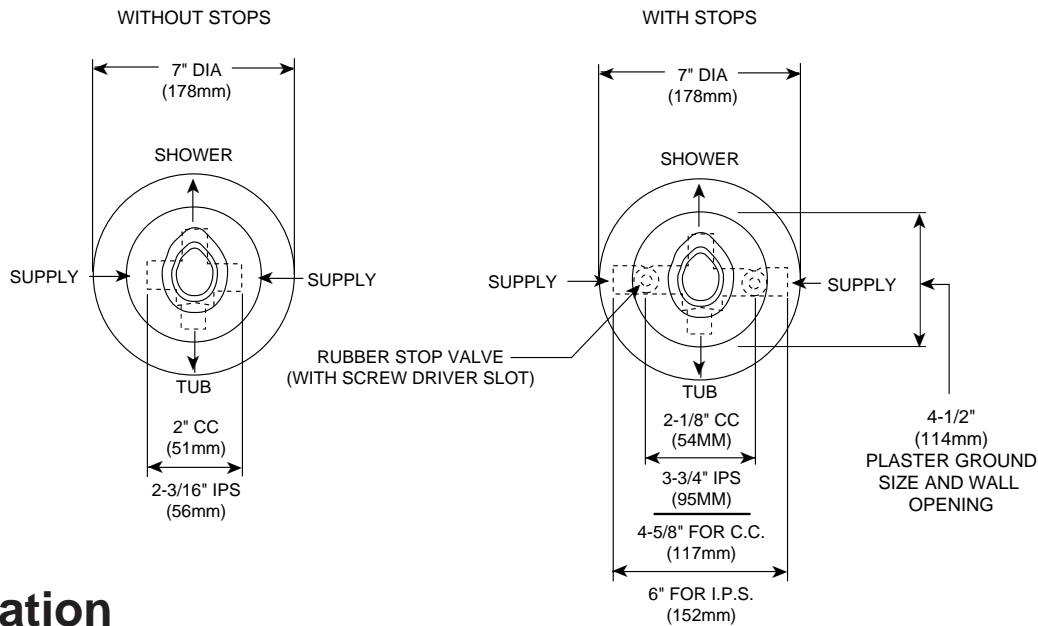


CAUTION:

Always turn water off before disassembling the valve. Open valve handle to alleviate water pressure to insure that complete water shut-off has been accomplished.

Before turning water on during either rough-in or trim-out, make sure that cartridge retainer clip is in place. The cartridge and retainer clip were properly installed and tested before leaving the factory. Although it is unlikely, it is nevertheless possible that through the handling of the valve by any number of persons the retainer clip may not be properly installed. This should be carefully checked at time of rough-in and trim-out. If the retainer clip is not properly installed, water pressure could force the cartridge out of the casting. Personal injury or water damage to the premises could result.





Stop Operation

CC - This type is integral with casting, actuated by screwdriver, and require a 90° turn to open or close. When the screwdriver slot is vertical, the rubber stop is closed, and when the slot is horizontal, the rubber stop is open.

IPS - This type has been added to the basic shower casting and is actuated by screwdriver. The stop is opened by rotating in a counterclockwise direction until it stops and closed by rotating in a clockwise direction until it bottoms.

Rough-In

MAKE SURE ALL WATER SUPPLIES ARE OFF.

4- port: (2700 SERIES): Install casting with "UP" at the top (arrow pointing up). If the valve is to be used for both a shower and a tub, connect the top outlet to the shower and the bottom outlet to the tub, using 1/2" iron pipe size or 1/2" copper water tube, 5/8" O.D. (If the valve is to be used for a shower only or a tub only, plug the outlet not being used.)

3-port (2600 SERIES): These models may be used as either a shower or a tub filler. Since they are factory set in the shower position, with the outlet up, you must reverse the position of the cartridge retainer clip if you want to use the valve as a tub filler. Following "Disassembly" instructions on page 3, pull the clip out from the bottom of the casting, rotate cartridge stem 180° and replace clip in the top, then proceed with installation, using 1/2" iron pipe size or 1/2" copper water tube.

WARNING: Secure all pipes and the shower and tub drop ells. Use Teflon tape on all threads. Use a plain ell on the tub drop. A twin ell is not needed. Check system for leaks before closing wall.

CAUTION

These valves are equipped with Moen's long-life 1225 cartridge, designed for smooth, trouble free operation. When soldering, do not heat valve any higher than necessary to flow the solder. Overheating may damage the cartridge or rubber stop valves. Following this direction will allow you to solder without removing the cartridge or rubber stop valves. **WARNING:** The cartridge and rubber stop valves **MUST** be removed before either brazing or resistance (electric) soldering.

Flushing

IMPORTANT: Before closing all wall openings, pressure test valve and complete system for leaks using flushing instructions.

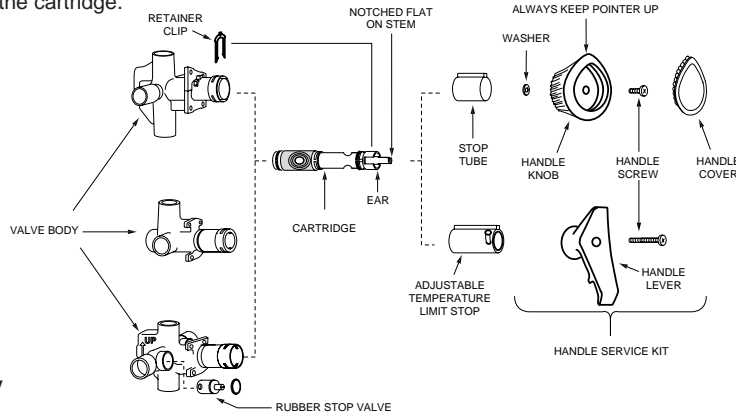
IMPORTANT:

Pipe chips, sand, stones, and other solids found in new or renovated plumbing can damage the sealing surface of the faucet cartridge and cause a leak. To avoid damage, **DO NOT OPERATE VALVE** until you have followed these instructions:

1. After installing and connecting your new faucet, install shower arm but not showerhead before flushing.
2. Turn the valve on in the full cold position (handle pointing to the right) and turn on the cold supply for 15 seconds. Without closing the valve, turn to the full hot position (handle pointing to the left) and turn on the hot supply for 15 seconds.
3. Turn the valve to the mixed position, divert water to the shower and run for an additional 15 seconds.
4. Turn off the water and check for leaks.
5. Install showerhead.

Disassembly

Turn "OFF" both hot and cold water supplies, then open faucet to relieve pressure. Remove handle cover from handle knob. Take out handle screw and remove handle knob, washer, and stop tube. Lift out retainer clip. Rotate cartridge shell back and forth with Moen cartridge twist wrench, grasp the cartridge stem with pliers, and pull out the cartridge.



Reassembly

Re-insert cartridge by pushing it all the way into the body until the front of the ears on the cartridge shell are flush and aligned with the body, (see illustration). Replace the retainer clip so that the legs straddle the cartridge ears and slide down into the bottom slot in the body. This prevents the cartridge from rotating and locks it in the body. The notched flat on the stem must point UP when mounting handle, with pointer UP. Re-install stop tube, handle parts and handle knob or lever.

TO REMOVE STOP VALVE

Always turn water supply OFF before disassembly. Open faucet to alleviate sustained pressure.

Removal of stop valve:

1. Remove knob and escutcheon (pry off handle cap and remove handle screw).
2. Using snap ring pliers, remove retaining ring from valve body.
3. Grip stop valve stem with pliers and rotate slightly to remove from valve body.

Re-Installation of new stop valve:

1. Check to be sure that stop valve stem is fully seated in plug.
2. Insert stop valve until fully seated beyond retaining ring groove in valve body.
3. Using snap ring pliers, place retaining ring in valve body, making sure that ring is fully seated.
4. Check orientation of stop valve for water flow. (Stop is in the off position when screwdriver slot is vertical).
5. Turn water supply on.

Not for use with Moentrol valves.

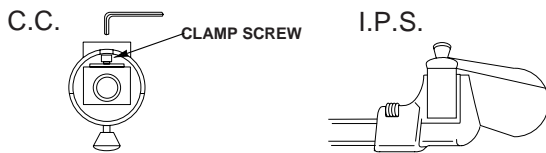
Trim

MAKE SURE ALL WATER SUPPLIES ARE OFF.

SHOWER: Install flange on long end of arm. Wrap threads on both ends of shower arm with Teflon tape. Screw long end of shower arm into wall. Install showerhead.

C.C. SPOUT: The Moen Slip Fit spout is designed with an O-ring seal. It is specifically designed for installation with copper water tube. Lookout must be free from burrs inside and out. The edge must not be rolled inward from a dull tubing cutter. The outside surface must be free from nicks and scratches.

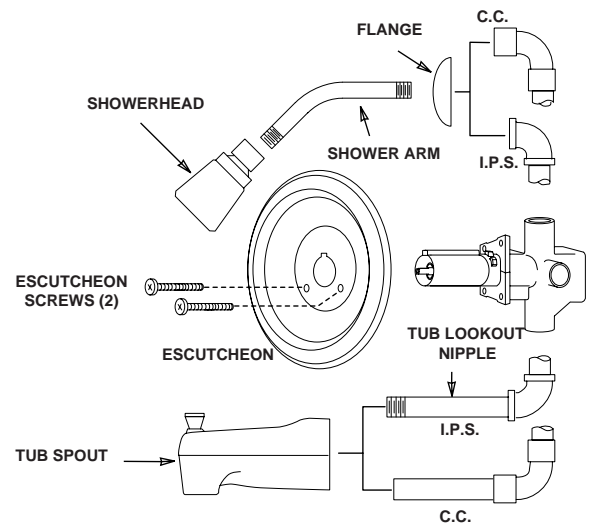
Press and twist the spout onto the lookout upside down. Tighten the clamp screw with a 5/32" hex wrench until it just starts to bind. Turn spout upright into position against the wall and finish tightening the clamp screw by hand. The use of pliers or another wrench on the hex wrench is not necessary. Do not overtighten.



IPS SPOUT:

CAUTION: This spout is A.B.S. plastic and will crack when in contact with some pipe thread compounds. Please read the pipe compound label to be certain. We recommend using Teflon tape thread sealant.

Screw tub spout onto pipe and tighten by hand. If final turn by wrench is needed, use small wrench with smooth jaws; otherwise, pad wrench teeth with rag as shown. DO NOT INSERT TOOL INTO SPOUT END TO TURN SPOUT. (Continued on last page).



(Continued from page 3)

ESCUTCHEON: Remove screw holding plaster ground in place. Discard plaster ground. Temporarily install handle knob or lever. Turn on water and check system for leaks. If there are no leaks, turn OFF water and remove handle knob or lever. Install escutcheon plate with two screws provided. Mount with the notch UP. Install stop tube. The notched flat on the cartridge stem must point UP when mounting the handle knob or lever. Mount handle knob or lever on the stem and replace handle screw tightly. Snap handle cover in place on the handle.

IMPORTANT FINAL CHECK: If above instructions have been followed correctly there will be clearance between the handle and the escutcheon when the handle is pushed into the closed position, otherwise the valve will not shut off.

To Eliminate Cross-Piping On Back-To-Back Installations or To Correct Reversed Rough-In Where Hot and Cold Positions Are Reversed:

Remove handle knob or handle lever, handle parts and stop tube (see "Disassembly"). Turn valve stem around so that the notched flat is turned one half turn or 180 degrees. Re-install handle parts and handle knob or lever. Tighten handle screw securely; replace handle cover (on knob handles).

Cleaning & Care Instructions for Special Finish Models:

All that is necessary to clean these faucets is to wipe them with a soft, damp cloth such as terrycloth. Warm water will remove dry water spots.

CAUTION: DO NOT use cleansers which contain abrasives or harsh chemicals. NEVER use alcohol or other organic solvents. A high quality, non-abrasive wax polish applied occasionally, will help to preserve the deep tones of the finish.

HELPLINE: Call our toll free Helpline number,



**(800) BUY - MOEN
(289-6636)**

for answers to any product, installation, replacement parts, or warranty questions.

