

DESCRIPTION

- Metal construction with chrome plated, Platinum, glacier, LifeShine® polished brass or LifeShine® Satine finish
- Pressure balancing valve design with or without integral check stops, 1/2" CC or IPS connections

OPERATION

- Metallic lever style handle with temperature indicator on the escutcheon, pull-on/push-off operation
- Temperature operates through a 180° arc of handle travel (full cold to full hot)
- Adjustable temperature limit stop to control maximum hot water temperature
- Pressure balancing mechanism maintains selected discharge temperature to $\pm 2^\circ$

CARTRIDGE

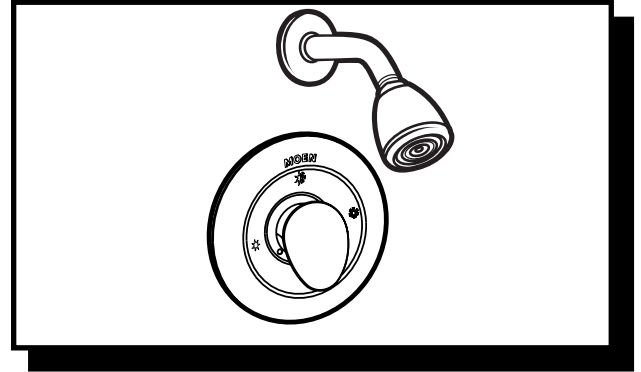
- 1225 cartridge design
- Nonmetallic/nonferrous and stainless steel materials
- Accommodates back to back installations

STANDARDS

- Third party certified by CSA to meet CSA B-125, ASME A112.18.1M and all applicable requirements referenced therein and complies with the applicable requirements of ANSI A117.1

WARRANTY

- Lifetime limited warranty against leaks, drips and finish defects to the original consumer purchaser
- 5 year warranty if used in commercial installations

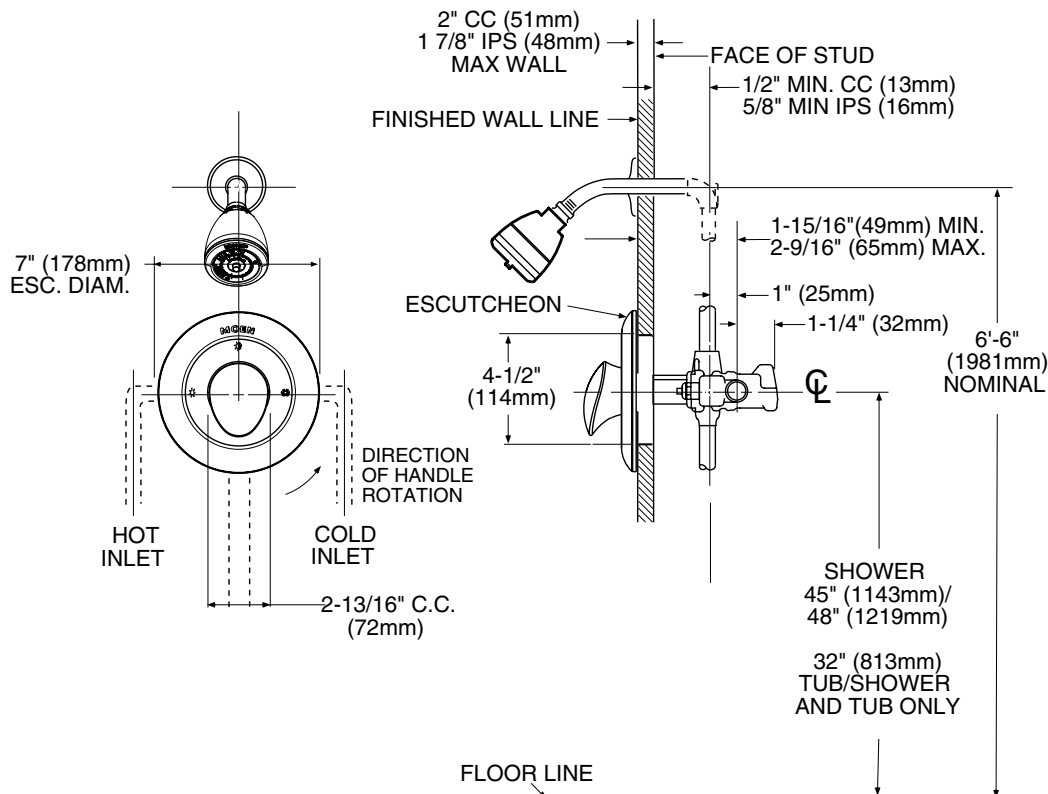


Villeta™ Moentrol® Single-Handle Shower Trim

**Models: TL3192, TL3192CP, TL3192PM,
TL3192W, TL3192P, TL3192ST**

Valve: 3570, 63170, 3550, 63150

**NOTE: See reverse side
for illustrated parts**



CRITICAL DIMENSIONS

(DO NOT SCALE)