

DESCRIPTION

- Metal construction with various finishes identified by suffix
- High arc spout provides the perfect height and reach for prep sinks while the pulldown feature provides infinite maneuverability for food preparation tasks
- Single hole mounting
- Handle reversibility feature
- Wand with Hydrolock® quick connect system
- Includes 68" hose
- 3/2" Flexible supply lines with 3/8" fittings connect directly to supply stops

OPERATION

- Single handle lever
- Includes three interchangeable flow inserts (aerated stream, laminar stream, spray); allows the Homeowner to customize the faucet to their needs


FLOW

- Flow is limited to 2.2 gpm (8.3 L/min) at 60 psi

CARTRIDGE

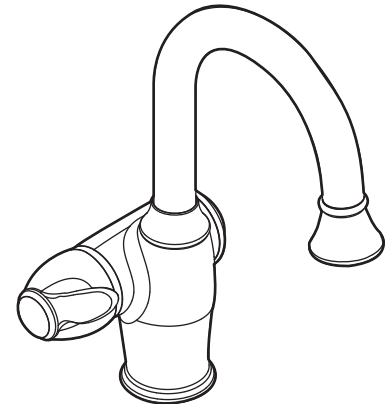
- 1225 cartridge design
- Engineered polymers, non-ferrous and stainless steel materials

STANDARDS

- Third party certified to ASME A112.18.1/CSA B125.1 and all applicable requirements therein including NSF 61/9
- Complies with California Proposition 65 and with the Federal Water Drinking Act
- ADA  for lever handles

WARRANTY

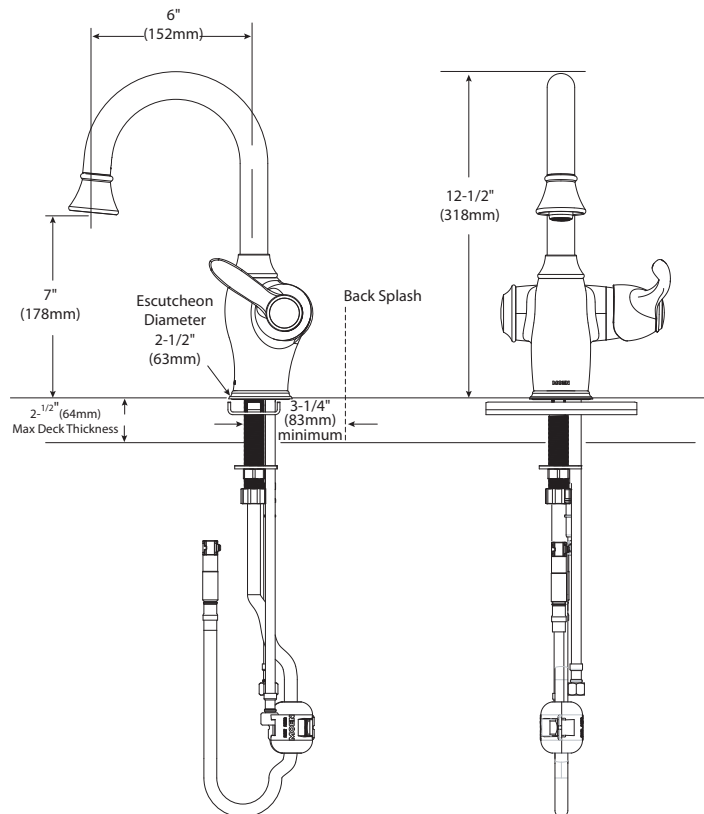
- Lifetime limited warranty against leaks, drips and finish defects to the original consumer purchaser
- 5 year warranty if used in commercial installations



Woodmere™
Single Handle Single Hole Mount
High Arc Pulldown Prep Faucet

Models: S628 series

NOTE: THIS FAUCET IS DESIGNED TO BE INSTALLED THRU 1 HOLE, 1" MIN. DIA.



CRITICAL DIMENSIONS

(DO NOT SCALE)