

**DESCRIPTION**

- Metal construction with chrome plated, LifeShine® brushed nickel or oil rubbed bronze finish
- 1/2" IPS connections will accept standard ball nose connection for 3/8" tubing
- Hydrolock™ quick connect installation
- Includes metal pop-up waste assembly
- For use with S948 valve
- Designed to be installed through 3, 1-1/8" dia. holes, 8 - 16" on center

**OPERATION**

- Lever style handles
- Maximum handle rotation angle is 90° to full on for either handle
- Rotate hot side handle counterclockwise to open and clockwise to close
- Rotate cold side handle clockwise to open and counterclockwise to close

**FLOW**

- Aerator is limited to 2.2 gpm max. (8.3 L/min)
- Features a laminar flow pattern for dramatic water presentation

**CARTRIDGE**

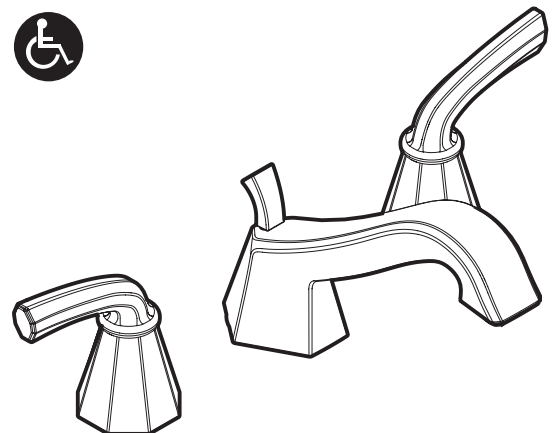
- 1224 cartridge design with nonmetallic/nonferrous and stainless steel materials

**STANDARDS**

- Third party certified to CSA B125, ASME A112.18.1M, ANSI A117.1 and all applicable requirements referenced therein
- Certified to ANSI/NSF 61/9
- Complies with California Proposition 65 and with the Federal Safe Drinking Water Act

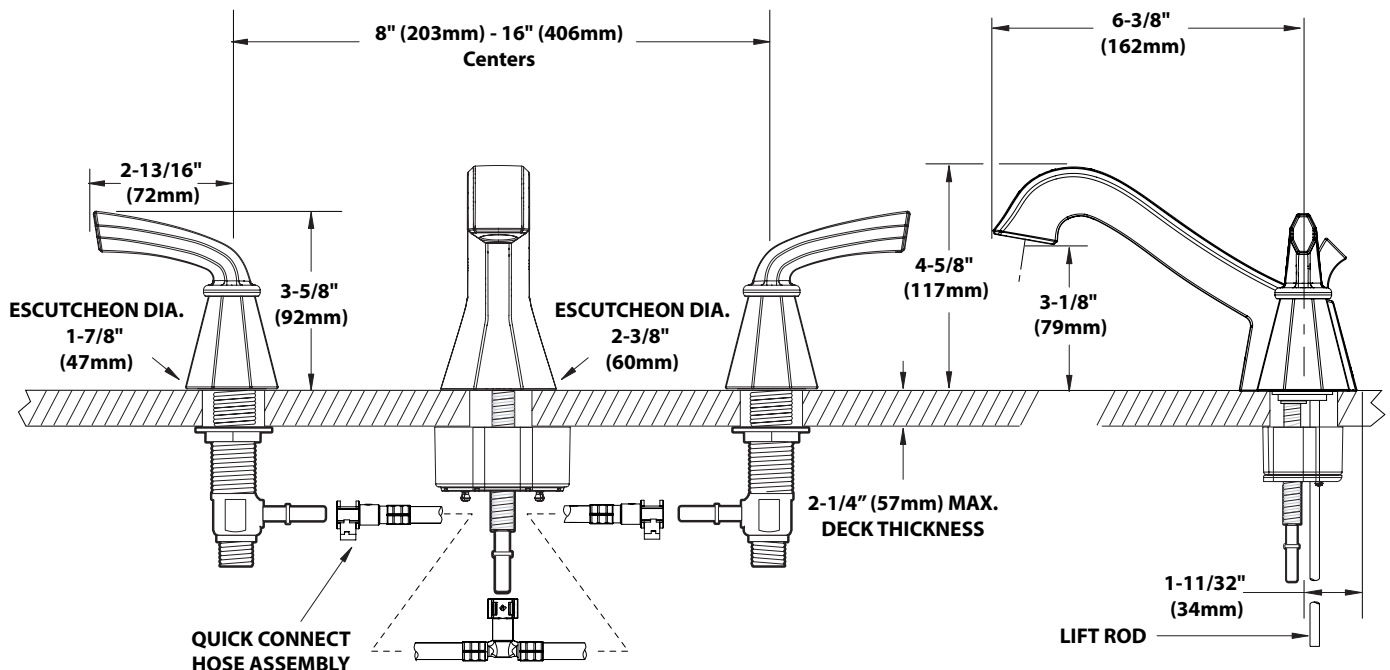
**WARRANTY**

- Lifetime limited warranty against leaks, drips and finish defects to the original consumer purchaser
- 5 year warranty if used in commercial installations



**FELICITY™**  
Two-Handle Widespread  
Lavatory Faucet Trim

Models: TS447, TS447BN, TS447ORB



**CRITICAL DIMENSIONS**

(DO NOT SCALE)