



Buy it for looks. Buy it for life.®

Specifications

FAUCET DESCRIPTION

- Metal construction with a chrome plated, LifeShine® polished brass, Platinum, Black Opal™, Classic Gold, Satine®, Nickel or glacier finish
- Includes showerhead, arm and flange

OPERATION

- Handle operates counterclockwise through a 270° arc with off at 6 o'clock and maximum hot at the 9 o'clock position. Shut off in clockwise direction
- Adjustable temperature limit stop to control maximum hot water temperature
- Pressure balancing mechanism maintains selected discharge temperature to ± 2°

FLOW

- Showerhead limited to 2.5 gpm (9.5 L/min)

CARTRIDGE

- 1222 cartridge design
- Nonmetallic/nonferrous and stainless steel materials
- Accommodates back to back installations

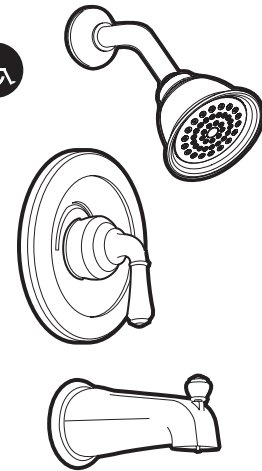
STANDARDS

- Third party certified by CSA to meet CSA B-125, ASME A112.18.1M and all applicable requirements referenced therein and complies with the applicable requirements of ANSI A117.1

WARRANTY

- Lifetime limited warranty against leaks, drips and finish defects to the original consumer purchaser
- 5 year warranty if used in commercial installations

ADA



MONTICELLO® INSPIRATIONS™ POSI-TEMP®

Single-Handle Tub/Shower (Trim Only)

Models: T2347, T2347CP,
T2347P, T2347W

(Bulk packed 12 per carton)

RT2347/AT2099, RT2347P/AT2099P,

RT2347PM/AT2099PM,

RT2347BP/AT2099BP, RT2347CG/AT2099CG,

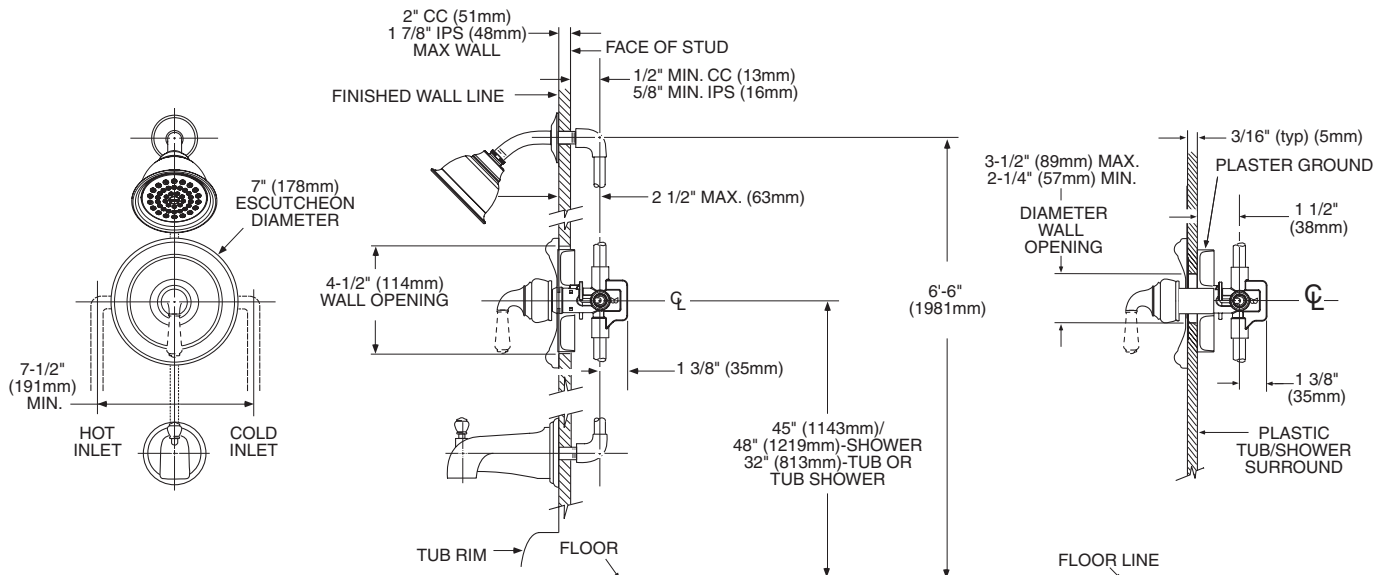
RT2347ST/AT2099ST, RT2347NL/AT2099NL

(Packed 1 per carton)

T2449, T2449CP, T2449P, T2449PM, T2449PMC,

T2449ST, T2449STP, T2449W

(Packed 1 per carton)



THICK WALL APPLICATION

THIN WALL APPLICATION

CRITICAL DIMENSIONS

(DO NOT SCALE)