



# HI FLOW WIDESPREAD ROMAN TUB

## ROUGH-IN INSTALLATION DIRECTIONS

**CAUTION:** Always turn water OFF before disassembling faucet. Open faucet handles to alleviate water pressure to insure that **COMPLETE** water shut-off has been accomplished.

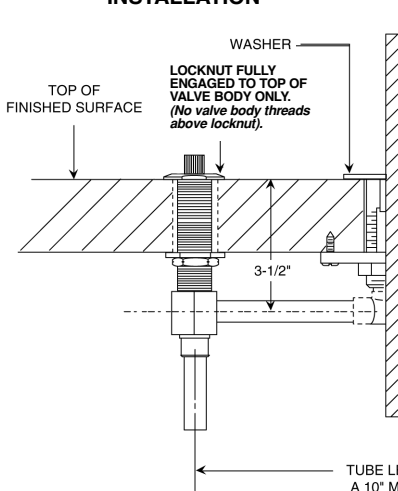
Before turning water on, during either rough-in or trim out, make sure that cartridge retainer nuts are in place. The cartridge and cartridge retainer nuts were properly installed and tested before leaving the factory. Although it is unlikely, it is nevertheless possible that through the handling of the faucet by any number of persons the cartridge retainer nuts may not be properly installed. This should be carefully checked at time of rough-in and trim-out. If the cartridge retainer nuts are not properly installed, water pressure could force the cartridge out of the faucet body. Personal injury or water damage to the premises could result.

### GENERAL INFORMATION

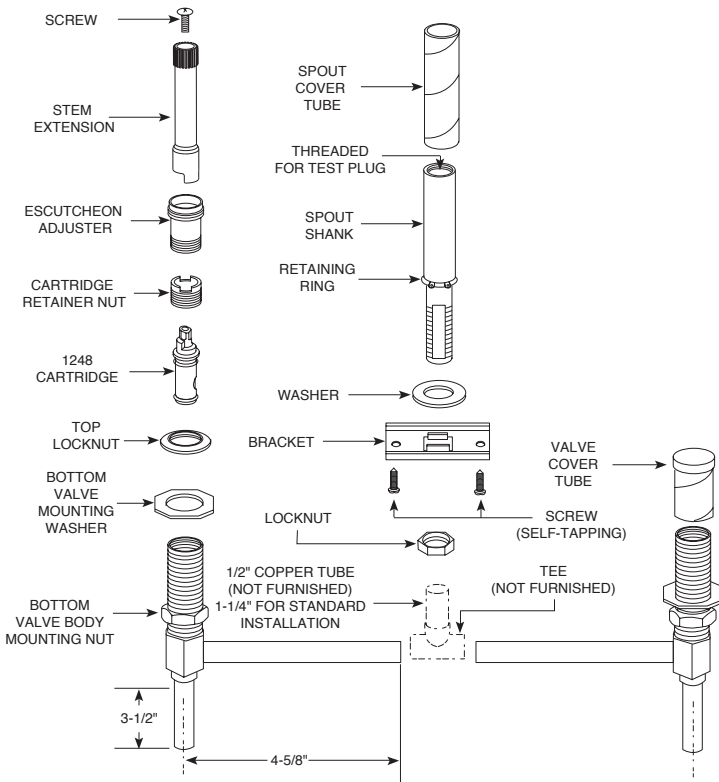
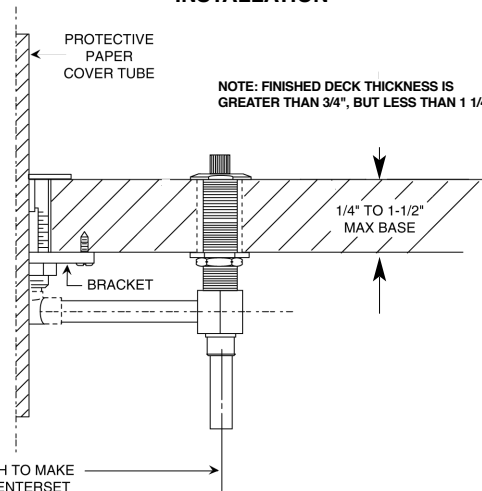
NOTE: When top of valve body is flush with top mounting nut, valve body outlet ports will be 3-1/2" below deck. Valve top locknuts and spout retaining ring washer are to be on the same plane.

- LOCKNUT DIA. 1-5/8"
- VALVE BODY DIA. 1-1/8"
- SPOUT SHANK DIA. 27/32"
- VALVE BODY LOWER MOUNTING WASHER DIA. 1-3/4"
- SPOUT SHANK TOP MOUNTING WASHER DIA. 1-5/8"

### THIN DECK INSTALLATION



### THICK DECK INSTALLATION



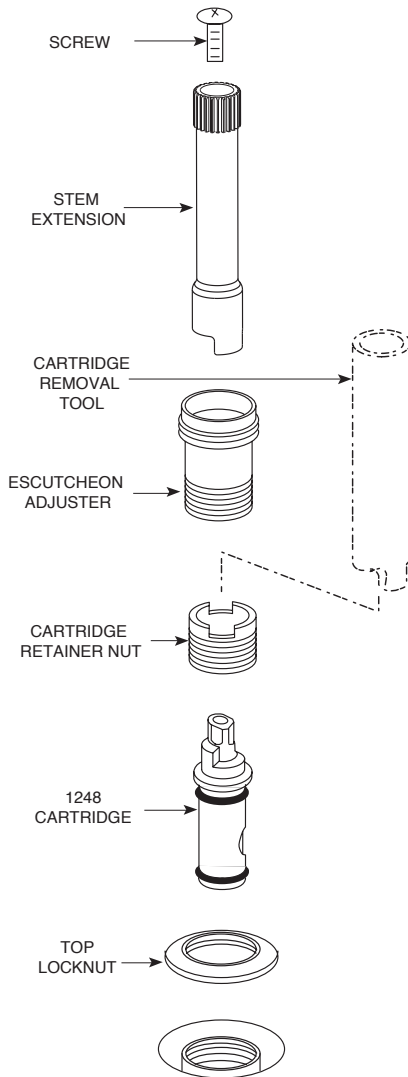
### TO INSTALL VALVE BODIES

1. Turn valve mounting nuts all the way down on valve bodies for tub base clearance. Drop one mounting washer on each side.
2. Slide valve bodies up through mounting holes and fasten front above temporarily with top locknut. Slide washer on spout shank under retaining ring and put shank through center hole of deck. Install bracket and mounting hardware.
3. Measure supply tubes on valve bodies to connecting tee (not furnished). Measure tube (not furnished) from tee to spout shank. Cut them to suit.
4. With valve bodies, tee, and spout tube assembled and properly aligned, hand tighten and solder where required.
5. Make final tightening of valve bodies and spout shank from below.
6. Connect supply lines with 1/2" copper fittings (not furnished).
7. Install a test plug (not furnished) in spout shank.
8. Test installation for leaks.
9. Remove test plug from spout shank and proceed to install trim.

## TO DISASSEMBLE VALVE:

**CAUTION: SHUT OFF HOT AND COLD WATER SUPPLIES AND OPEN FAUCET HANDLES TO ALLEVIATE WATER PRESSURE AND INSURE THAT COMPLETE WATER SHUT-OFF HAS BEEN ACCOMPLISHED.**

1. Remove stem extension, screw, and stem extension.
2. Remove escutcheon adjuster.
3. Using cartridge removal tool (not supplied), unscrew and remove cartridge retainer.
4. Replace stem extension and screw. Grasp stem extension, being careful not to damage threads, pull straight upward removing cartridge.

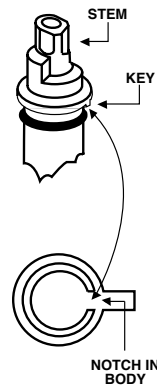


## TO ASSEMBLE VALVE:

**CAUTION: FAILURE TO FOLLOW THESE INSTRUCTIONS CAN CAUSE A FAULTY INSTALLATION OR DAMAGE THE NEW CARTRIDGE.**

1. Drop stem extension with cartridge attached into valve body, press down until it bottoms.
2. Slowly rotate stem extension clockwise while still pressing down. This will align the "KEY" on the cartridge with the "NOTCH" in the valve body. When the key enters the notch you will feel it drop in, then the cartridge will be in place. To be certain, rotate the stem extension clockwise and then counterclockwise. You should feel the cartridge stop in both directions. If so, the cartridge is in place. Do not turn on water yet.
3. Using a cartridge removal tool (not supplied), reinstall cartridge retainer nut until it bottoms (DO NOT CROSS THREAD).
4. Reinstall escutcheon adjuster.

You are now ready to turn on the water. Check complete system for leaks.



**HELPLINE:** Call our toll free Helpline number:



**(800) 321-6636**

for answers to any product, installation, replacement parts, or warranty questions.

**MOEN**

MOEN INCORPORATED, 25300 AL MOEN DRIVE., NORTH OLMSTED, OH. 44070, U.S.A.

© Copyright, 2002  
Moen Incorporated  
Printed in U.S.A.