

## DESCRIPTION

- 1/2" IPS connections

## OPERATION

- Single handle
- Pull-on/push-off design
- Allows control of both temperature selection and volume with a single handle

## CARTRIDGE

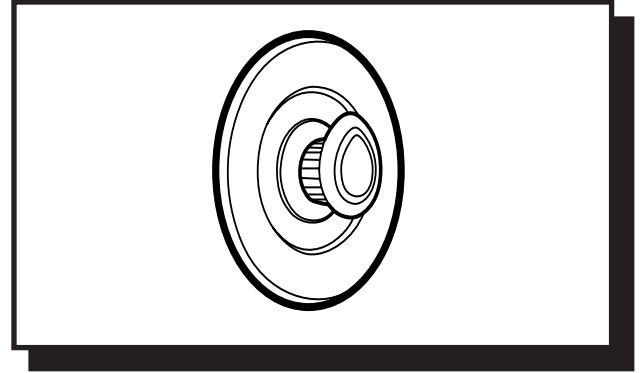
- 1225 cartridge design
- Nonmetallic/nonferrous and stainless steel materials
- Accommodates back to back installations

## STANDARDS

- Third party certified by CSA to meet CSA B-125 and ASME A112.18.1M and all applicable requirements referenced therein

## WARRANTY

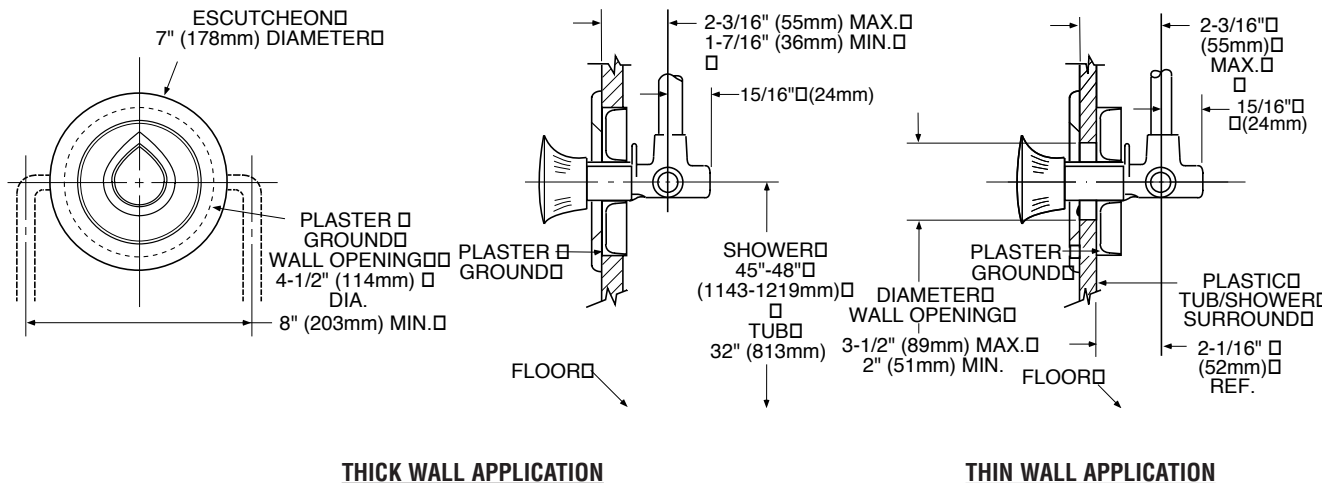
- Lifetime limited warranty against leaks, drips and finish defects to the original consumer purchaser
- 5 year warranty if used in commercial installations



**CHATEAU®**  
**Single Handle Shower Valve Only**

**Model: 62600**  
**(Bulk packed 12 per carton)**  
**Shown with T470 Trim**

**NOTE: See reverse side for illustrated parts**



## CRITICAL DIMENSIONS

(DO NOT SCALE)