



Buy it for looks. Buy it for life.®

There is more than 1 version of this model.
Page down to identify the version you have.

FAUCET DESCRIPTION

- Metal construction with various finishes identified by suffix
- Quick connect installation
- Flexible supplies with 3/8" compression fittings
- Pullout spray with 68" braided hose
- Lever style handle

OPERATION

- Operates with less than 5 lbs. of force
- Temperature controlled by 100° arc of handle travel


FLOW

- Flow is limited to 1.5 gpm max. (5.7 L/min) at 60 psi

CARTRIDGE

- 1255™ Duralast™ cartridge

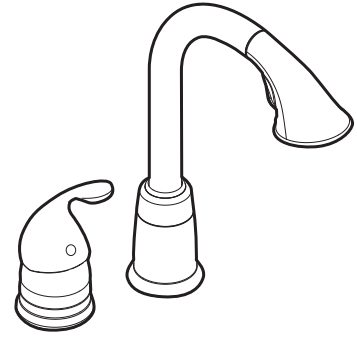
STANDARDS

- Third party certified to IAPMO Green, ASME A112.18.1/CSA B-125.1 and all applicable requirements referenced therein including NSF61/9
- Meets CalGreen and Georgia SB370 requirements
- Contains no more than 0.25% weighted average lead content
- Complies with California Proposition 65 and with the Federal Safe Drinking Water Act
- **ADA**  for lever handles

WARRANTY

- Lifetime limited warranty against leaks, drips and finish defects to the original consumer purchaser
- 5 year warranty if used in commercial installations

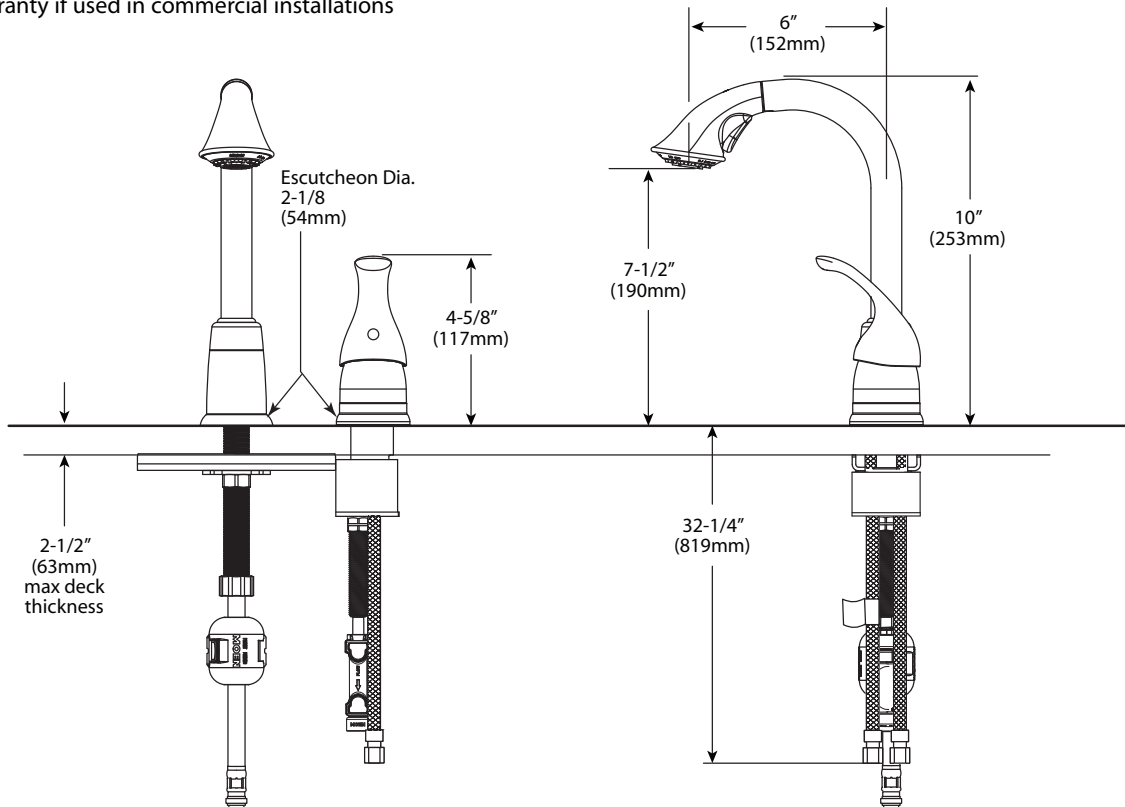
Specifications



Camerist™
Single Handle Pull-Down Bar Faucet

Models: 5955

NOTE: DESIGNED TO INSTALL
THRU 2 HOLES 1-1/4" (25mm) MIN. DIA.
and 4" (102mm) on center



CRITICAL DIMENSIONS

(DO NOT SCALE)



Buy it for looks. Buy it for life.®

There is more than 1 version of this model.
Page down to identify the version you have.

FAUCET DESCRIPTION

- Metal construction with various finishes identified by suffix
- Quick connect installation
- Flexible supplies with 3/8" compression fittings
- Pullout spray with 68" braided hose
- Lever style handle

OPERATION

- Operates with less than 5 lbs. of force
- Temperature controlled by 100° arc of handle travel


FLOW

- Flow is limited to 1.5 gpm max. (5.7 L/min) at 60 psi

CARTRIDGE

- 1255™ Duralast™ cartridge

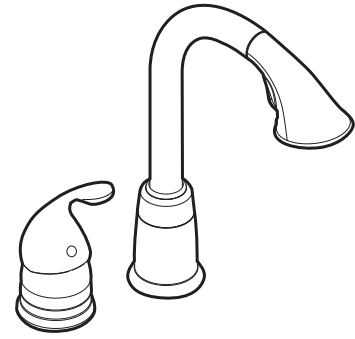
STANDARDS

- Third party certified to IAPMO Green, ASME A112.18.1/CSA B-125.1 and all applicable requirements referenced therein including NSF61/9
- Meets CalGreen and Georgia SB370 requirements
- Contains no more than 0.25% weighted average lead content
- Complies with California Proposition 65 and with the Federal Safe Drinking Water Act
- **ADA**  for lever handles

WARRANTY

- Lifetime limited warranty against leaks, drips and finish defects to the original consumer purchaser
- 5 year warranty if used in commercial installations

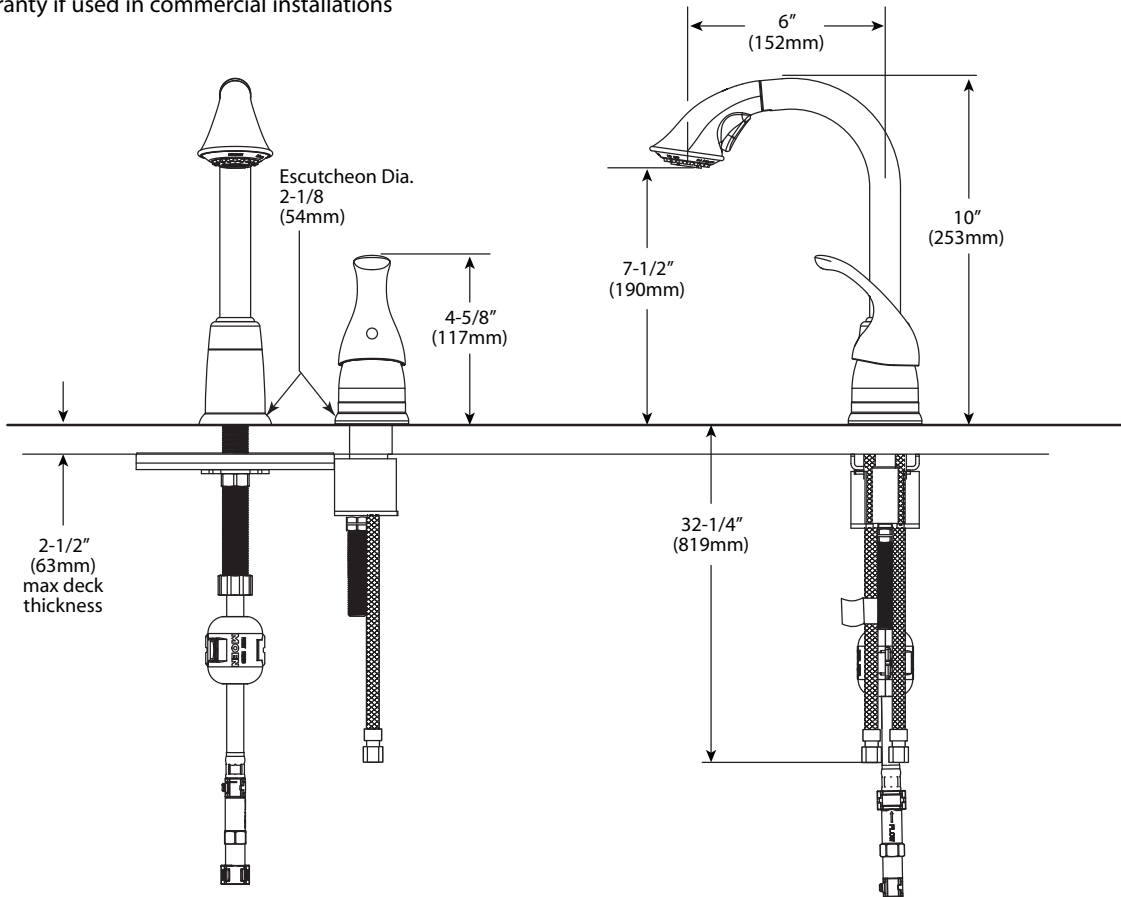
Specifications



**Camerist™
Single Handle Pull-Down Bar Faucet**

Models: 5955

**NOTE: DESIGNED TO INSTALL
THRU 2 HOLES 1-1/4" (25mm) MIN. DIA.
and 4" (102mm) on center**



CRITICAL DIMENSIONS

(DO NOT SCALE)

FOR MORE INFORMATION CALL: 1-800-BUY-MOEN

www.moen.com



Buy it for looks. Buy it for life.®

Specifications

FAUCET DESCRIPTION

- Metal construction with various finishes identified by suffix
- Quick connect installation
- Inlet shanks will accept 3/8" ball nose connections
- Pullout spray with 68" braided hose
- Lever style handle

OPERATION

- Operates with less than 5 lbs. of force

FLOW


- Aerator is limited to 2.2 gpm max. (8.3 L/min)

CARTRIDGE

- 1225 cartridge design
- Nonmetallic, non-ferrous and stainless steel material

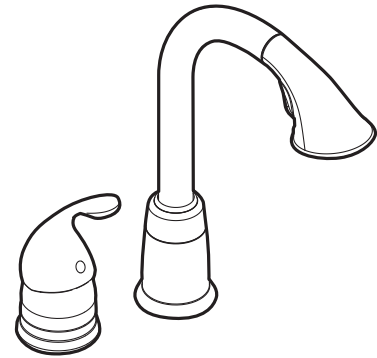
STANDARDS

- Third party certified to CSA B-125.1, ASME A112.18.1 and all applicable requirements referenced therein including NSF61/9
- Complies with California Proposition 65 and with the Federal Safe Drinking Water Act

- **ADA**  for lever handles

WARRANTY

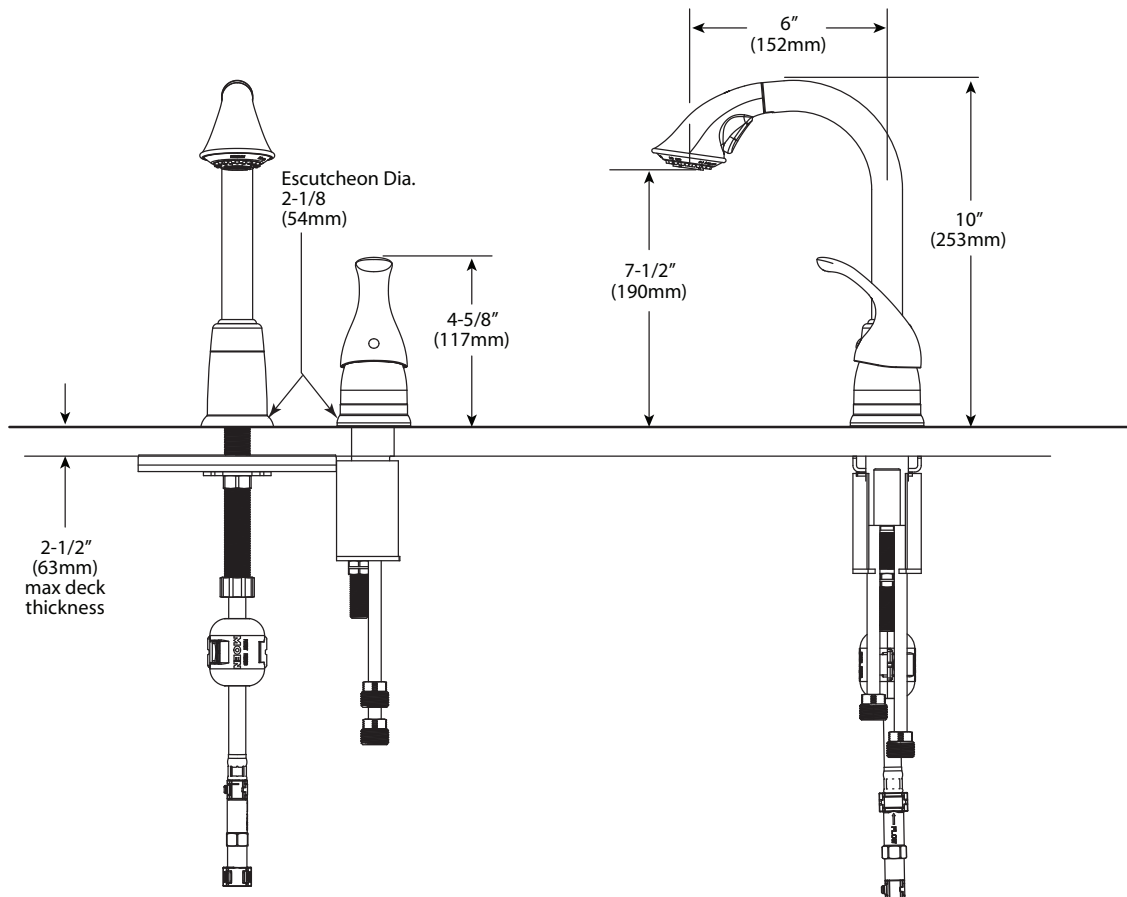
- Lifetime limited warranty against leaks, drips and finish defects to the original consumer purchaser
- 5 year warranty if used in commercial installations



**Camerist™
Single Handle Pull-Down Bar Faucet**

Models: 5955

**NOTE: DESIGNED TO INSTALL
THRU 2 HOLES 1-1/4" (25mm) MIN. DIA.
and 4" (102mm) on center**



CRITICAL DIMENSIONS

(DO NOT SCALE)