

FAUCET DESCRIPTION

- Metal construction with chrome plated finish
- 1/2" IPS connections
- Supplied with vandal resistant screws

OPERATION

- Tri blade style handles with hot and cold color indicators
- Rotate either handle counterclockwise to open and clockwise to close

FLOW

- 2.2 MAX. gpm (8.3 L/min) aerator

CARTRIDGE

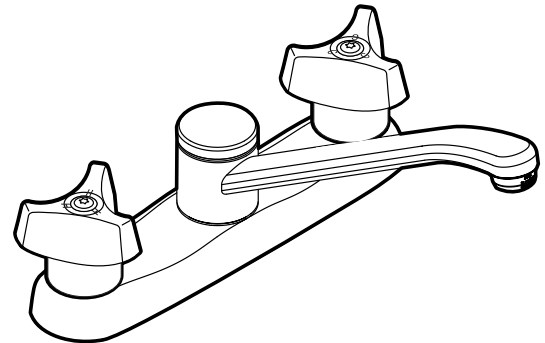
- 1224 cartridge design
- Nonmetallic and stainless steel material

STANDARDS

- Third party certified by CSA to meet CSA B-125 and ASME A112.18.1M, NSF 61/9, California Proposition 65, and all applicable specification referenced therein

WARRANTY

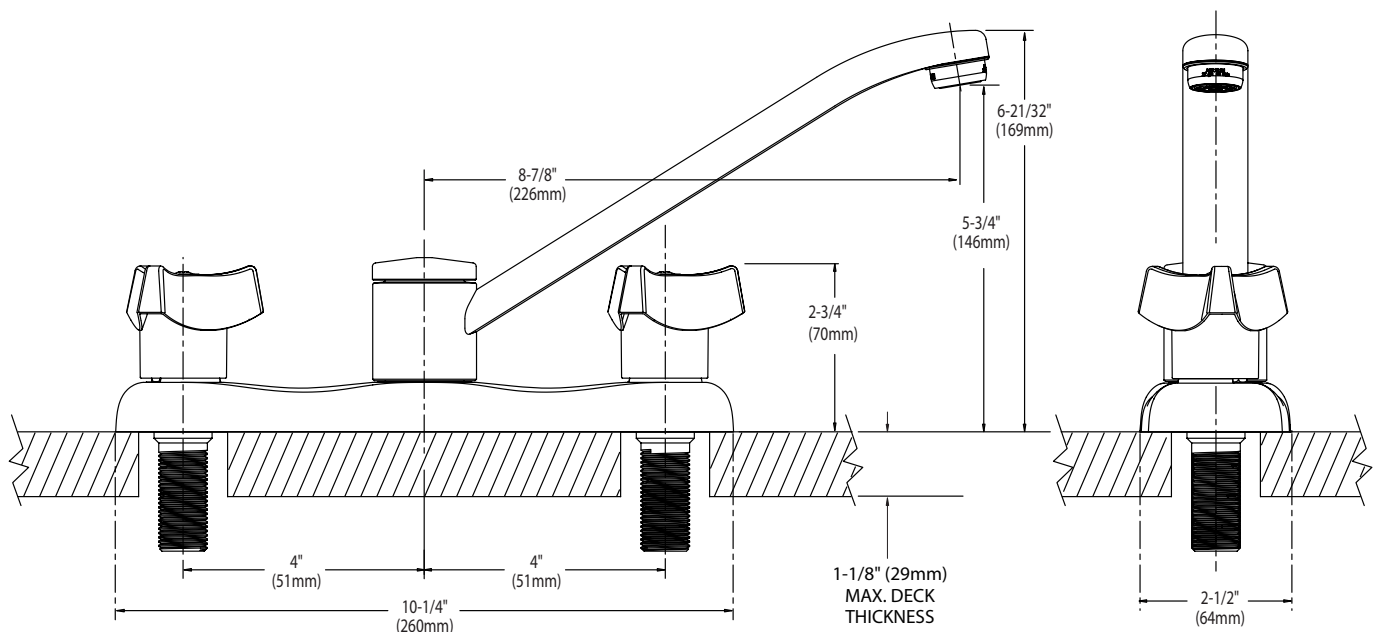
- Warranted for 5 years against material or manufacturing defects



Two-Handle Kitchen Faucet

Model: 8793

NOTE: Designed to be installed through 3 holes - 1" min. dia. on 4" centers



CRITICAL DIMENSIONS

(DO NOT SCALE)