

**FAUCET DESCRIPTION**

- Brass construction with chrome plated finish
- 1/2" IPS connections
- 8" centers
- Less spout
- Vandal resistant torx head screws

**OPERATION**

- Lever style handles with hot and cold color indicators

**CARTRIDGE**

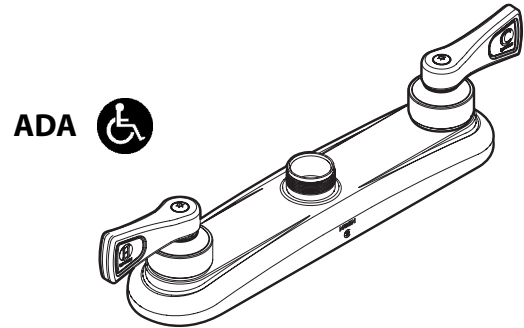
- Brass shell, ceramic disc cartridge
- 1/4 turn operation

**STANDARDS**

- Third party certified to meet CSA B-125, ASME A112.18.1M, ANSI A117.1 and all applicable specifications referenced therein
- Certified to ANSI/NSF 61/9
- Complies with California Proposition 65 and with the Federal Safe Drinking Water Act

**WARRANTY**

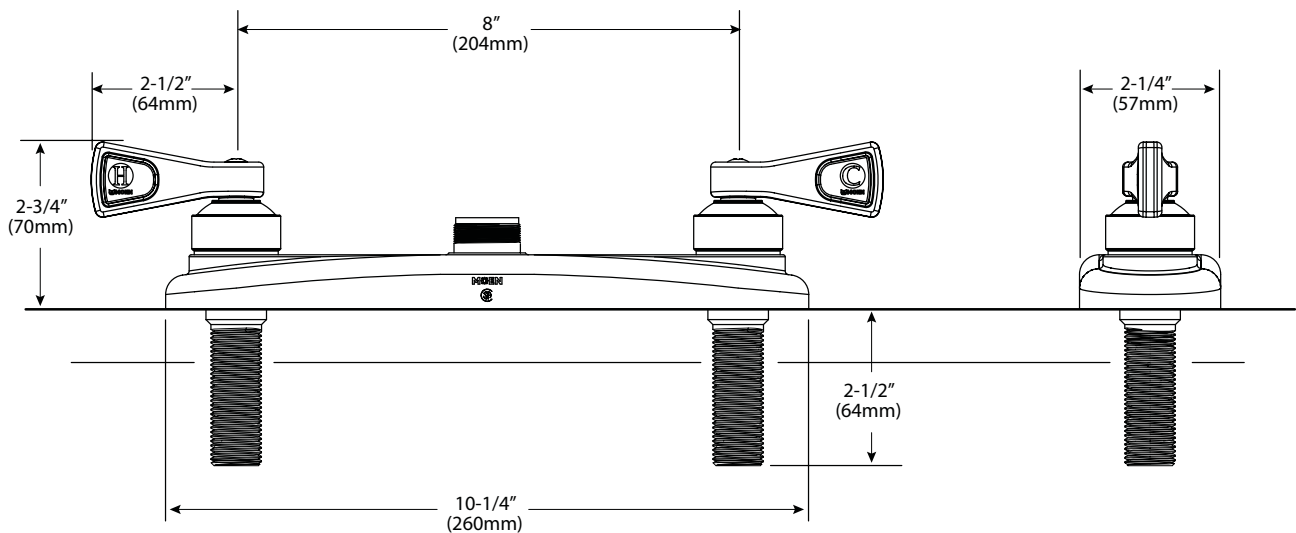
- Warranted for five years against material or manufacturing defects



**Two-Handle Kitchen Faucet**

**Model: 8280**

**NOTE:** Designed to be installed through 2 or 3 holes - 1" min. dia. and on 8" on center



**CRITICAL DIMENSIONS**

(DO NOT SCALE)