

FAUCET DESCRIPTION

- Brass construction with chrome plated finish
- 1/2" IPS connections
- Less spout

OPERATION

- Lever style handles with hot and cold color indicators

CARTRIDGE

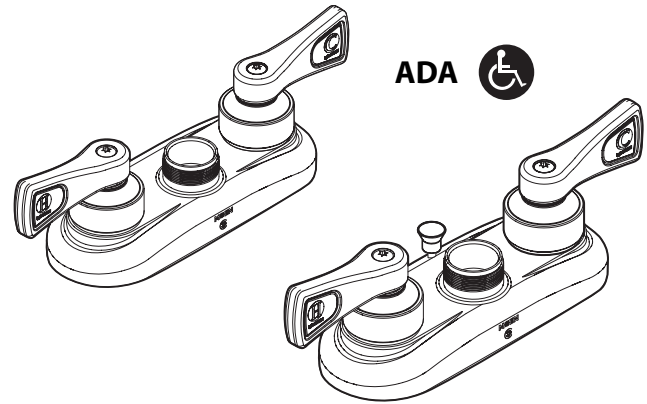
- Brass shell, ceramic disc cartridge
- 1/4 turn operation

STANDARDS

- Third party certified to meet CSA B-125, ASME A112.18.1M, ANSI A117.1 and all applicable specifications referenced therein
- Certified to ANSI/NSF 61/9
- Complies with California Proposition 65 and with the Federal Safe Drinking Water Act

WARRANTY

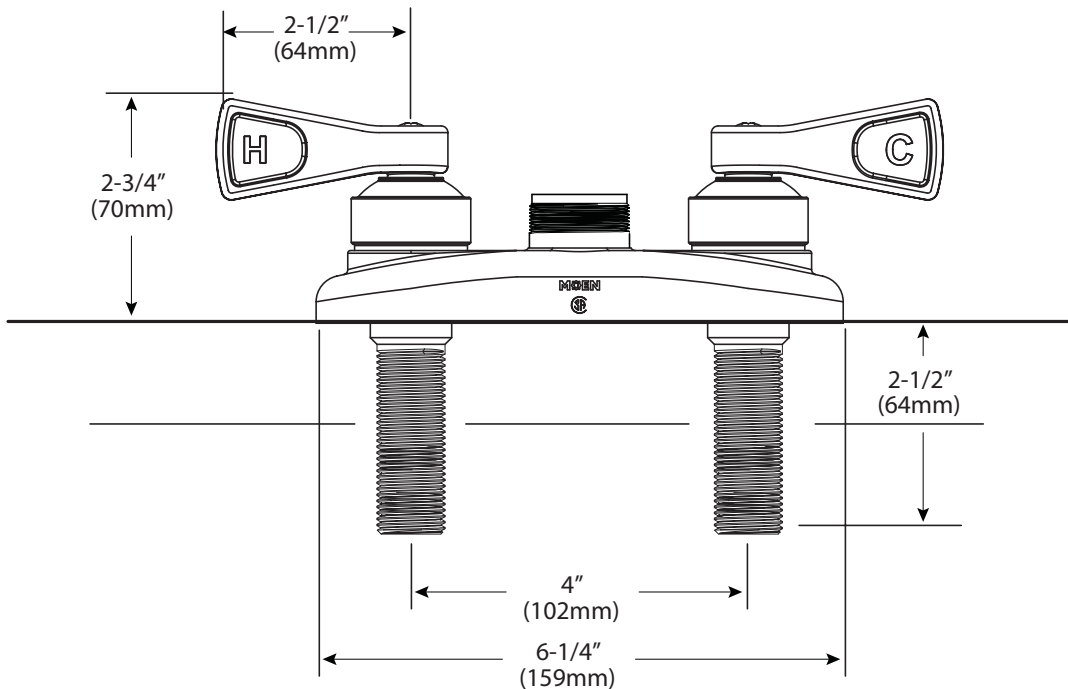
- Warranted for five years against material or manufacturing defects



**Two-Handle Bar/Pantry Faucet
(less spout)**

Models: 8274, *8275
*(w/pop-up)

NOTE: Designed to be installed through
2 holes - 1" min. dia.



CRITICAL DIMENSIONS

(DO NOT SCALE)