

**DESCRIPTION**

- Metal construction with chrome plated, LifeShine® stainless or wrought iron finish
- 1/2" IPS connections will accept standard ball nose connection for 3/8" tubing
- Includes hot and cold temperature indicator
- Designed to be installed through 2, 1-1/4" (32mm) min. dia. holes
- Hydrolock™ quick connect installation

**OPERATION**

- Lever style handle
- Temperature controlled by 130° arc of handle travel

**FLOW**

- Aerator is limited to 2.2 gpm max. (8.3 L/min)

**CARTRIDGE**

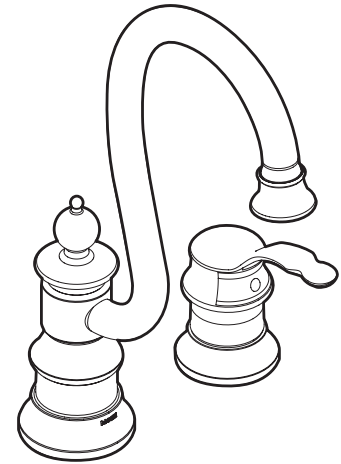
- 1225 cartridge design with nonmetallic/nonferrous and stainless steel materials

**STANDARDS**

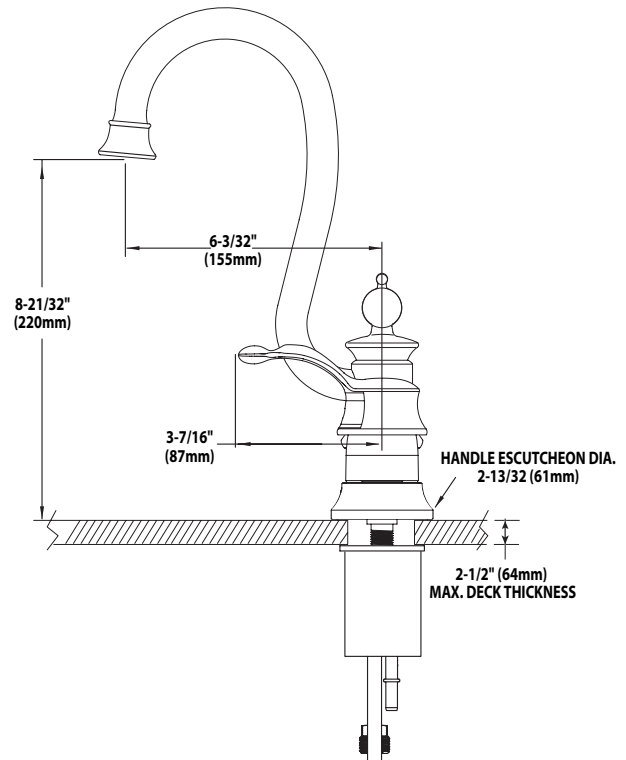
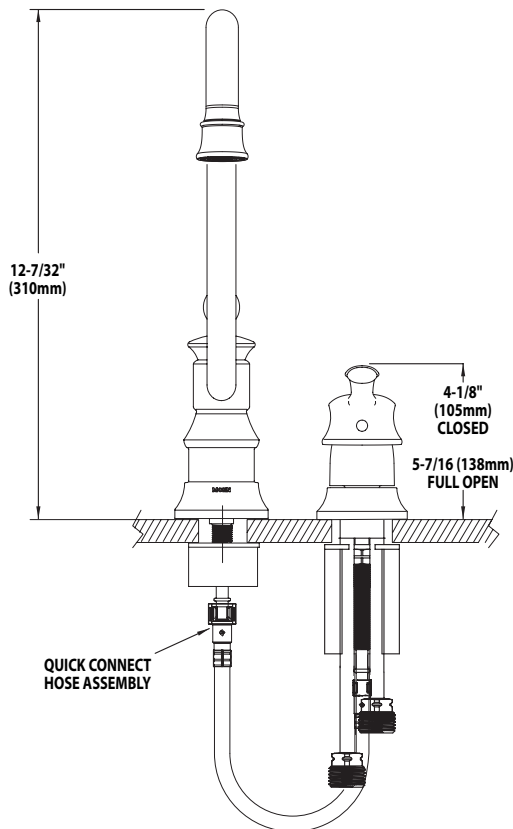
- Third party certified to CSA B125, ASME A112.18.1M, ANSI A117.1 and all applicable requirements referenced therein
- Certified to ANSI/NSF 61/9
- Complies with California Proposition 65 and with the Federal Safe Drinking Water Act

**WARRANTY**

- Lifetime limited warranty against leaks, drips and finish defects to the original consumer purchaser
- 5 year warranty if used in commercial installations



**Waterhill™**  
**Single-Handle Bar Faucet**  
**Models: S611, S611SL, S611WR**



**CRITICAL DIMENSIONS**

(DO NOT SCALE)