

FAUCET DESCRIPTION

- Metal construction with chrome plated finish
- 1/2" IPS shanks
- Designed to be installed on 8" to 16" centers
- Supplied with vandal resistant screws and metal pop-up waste assembly

OPERATION

- Lever style handles with hot and cold color indicators
- Hot side counterclockwise to open (clockwise to close)
- Cold side clockwise to open (counterclockwise to close)

FLOW

- Aerator is limited to 2.2 gpm max (8.3 L/min)

CARTRIDGE

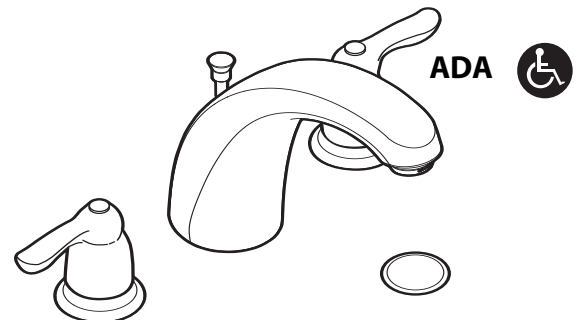
- 1224 cartridge design
- Nonmetallic and stainless steel material

STANDARDS

- Third party certified by IAPMO and CSA to meet ASME A112.18.1M, NSF 61/9, California Proposition 65, and all applicable specifications referenced therein and complies with the requirements of ANSI A117.1

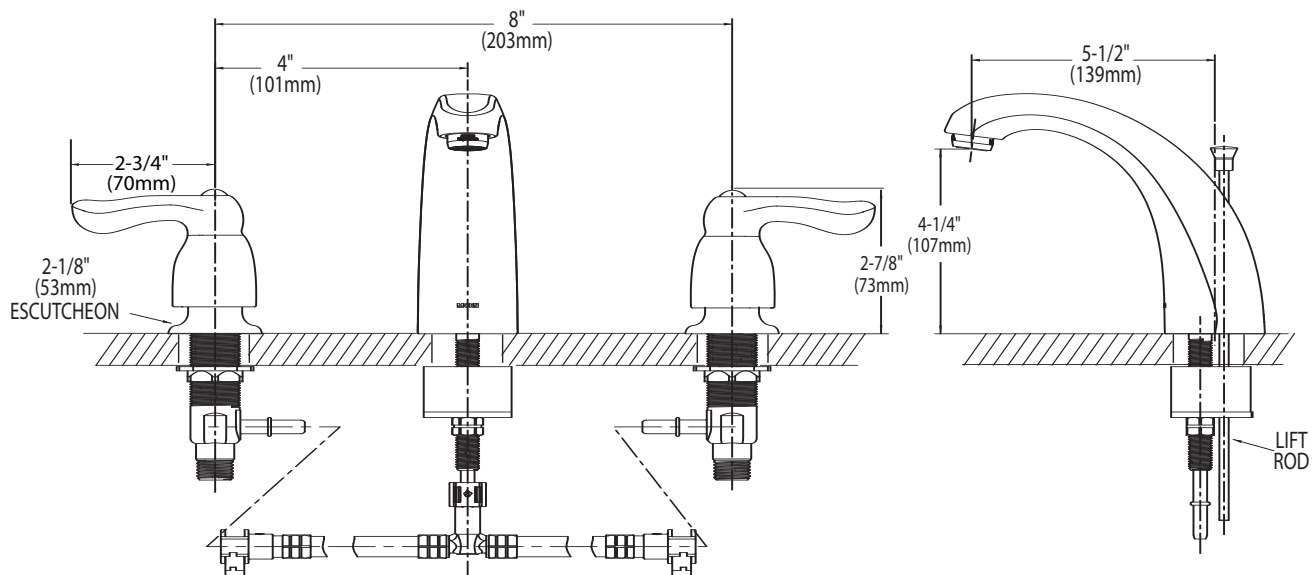
WARRANTY

- Warranted for 5 years against material or manufacturing defects



**Two-Handle Widespread
Lavatory Faucet
Model: 8922**

NOTE: Spout designed to be installed through 1" min. dia. hole. Valves install through 1-1/8" min. dia. hole



CRITICAL DIMENSIONS

(DO NOT SCALE)