



Buy it for looks. Buy it for life.®

Specifications

*There is more than 1 version of this model.
Page down to identify the version you have.*

DESCRIPTION

- Metal construction with a chrome plated or decorative antique brass, LifeShine® polished brass or glacier finish
- 1/2" IPS connections
- Includes metal pop-up type waste assembly

OPERATION

- Knob style handles
- Rotate either handle counterclockwise to open and clockwise to close

FLOW

- Aerator is limited to 2.2 gpm max (8.3 L/min)

CARTRIDGE

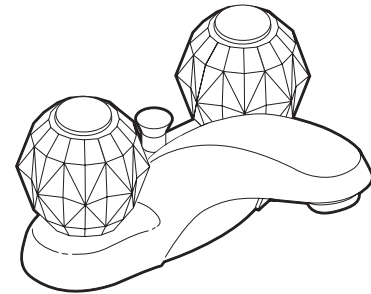
- 1224 cartridge design
- Nonmetallic and stainless steel material

STANDARDS

- Third party certified to: CSA B-125, ASME A112.18.1M and all applicable requirements referenced therein
- Certified to ANSI/NSF 61/9
- Complies with California Proposition 65 and with the Federal Safe Water Drinking Act

WARRANTY

- Lifetime limited warranty against leaks, drips and finish defects to the original consumer purchaser
- 5 year warranty if used in commercial installations



CHATEAU® Two-Handle 4" Lavatory Faucet

With Metal Waste Assembly

Models: 4920

Bulk Pack Models (12 per Carton)
64920P

With 50/50 Waste Assembly **Bulk Pack Model (12 per Carton)**

64920

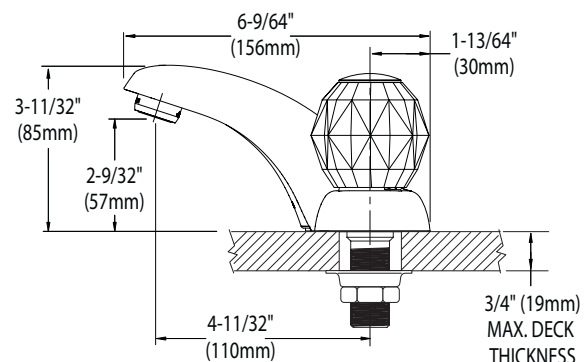
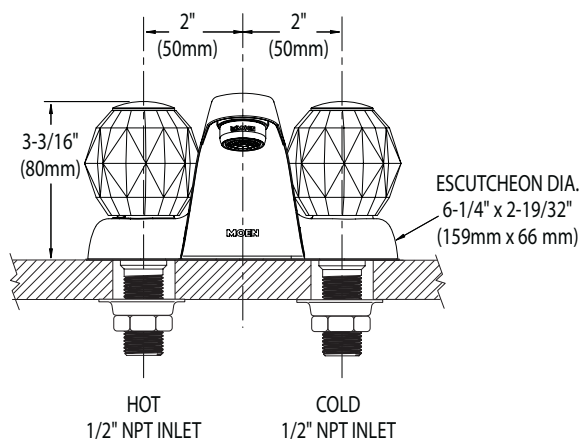
Less Waste Assembly

Model: 4900

Bulk Pack (12 per Carton)

64900

NOTE: 50/50 or metal waste assembly models are designed to be installed through 3 - 1" dia. holes 2" on center Models less waste assembly are designed to install through 2 - 1" min. dia. holes 4" on center



CRITICAL DIMENSIONS

(DO NOT SCALE)

FOR MORE INFORMATION CALL: 1-800-BUY-MOEN

www.moen.com



Buy it for looks. Buy it for life.®

Specifications

DESCRIPTION

- Metal construction with a chrome plated or decorative antique brass, LifeShine® polished brass or glacier finish
- 1/2" IPS connections
- Includes metal pop-up type waste assembly

OPERATION

- Knob style handles
- Rotate either handle in a counterclockwise manner to open and clockwise to close

FLOW

- Aerator is limited to 2.2 gpm max (8.3 L/min)

CARTRIDGE

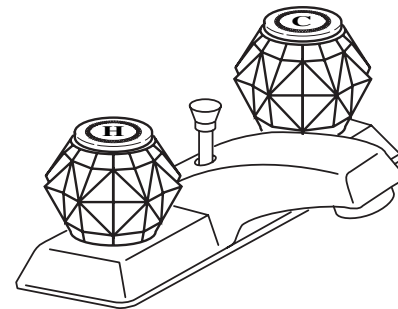
- 1224 cartridge design
- Nonmetallic and stainless steel material

STANDARDS

- Third party certified by CSA to meet CSA B-125 and ASME A112.18.1M and all applicable requirements referenced therein.
- Certified to ANSI/NSF 61/9
- Complies with California Proposition 65 and with the Federal Safe Water Drinking Act

WARRANTY

- Lifetime limited warranty against leaks, drips and finish defects to the original consumer purchaser
- 5 year warranty if used in commercial installations

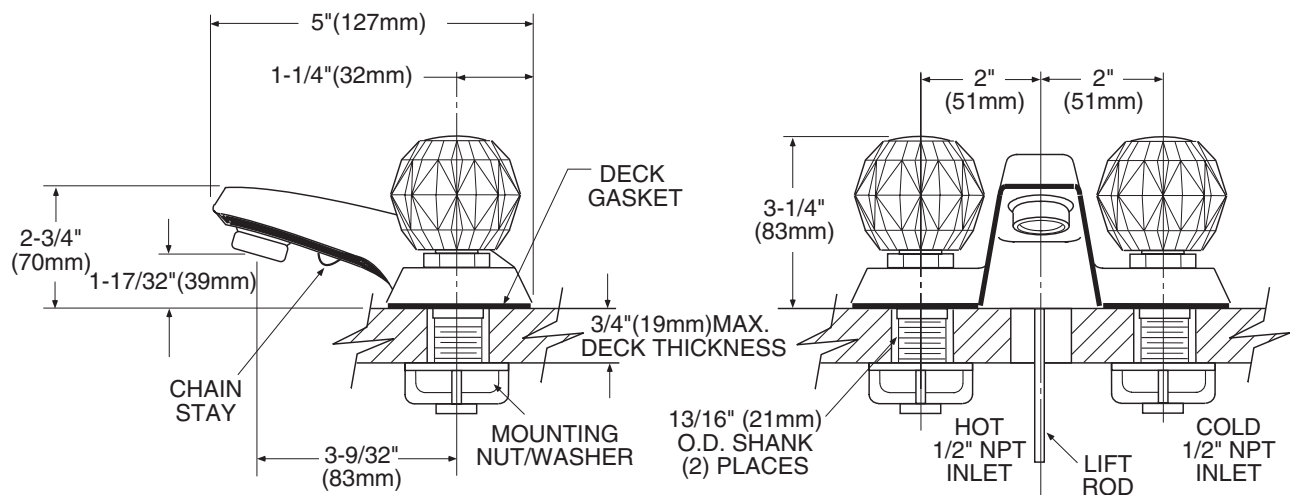


CHATEAU®
4" Lavatory Faucet
with Metal Waste Assembly

Models: 4920, 4920A,
4920P, *4920W

***4920W Discontinued 2/1/2000**

NOTE: THIS FAUCET IS DESIGNED TO BE INSTALLED THRU 3 HOLES, 1" MIN. DIA.



CRITICAL DIMENSIONS

(DO NOT SCALE)

FOR MORE INFORMATION CALL: 1-800-BUY-MOEN

www.moen.com