

## DESCRIPTION

- Red/Blue temperature markings on handle
- Chrome plated metal construction
- 1/2" IPS connections

## OPERATION

- Pivot action lever style handle
- Temperature controlled through 180° degree arc of handle travel
- Adjustable temperature limit stop to control maximum hot water temperature

## FLOW

- Aerator is limited to 2.2 gpm max (8.3 L/min)

## CARTRIDGE

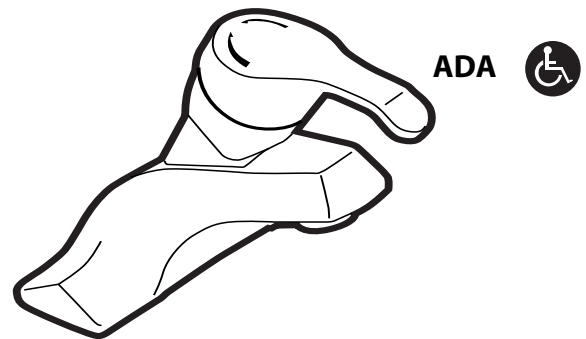
- 1225 cartridge design
- Nonmetallic/nonferrous and stainless steel material

## STANDARDS

- Third party certified by CSA to meet CSA B-125, ASME A112.18.1M and all applicable requirements referenced therein and complies with the applicable requirements of ANSI A117.1
- Certified to ANSI/NSF 61/9
- Complies with California Proposition 65 and with the Federal Safe Water Drinking Act

## WARRANTY

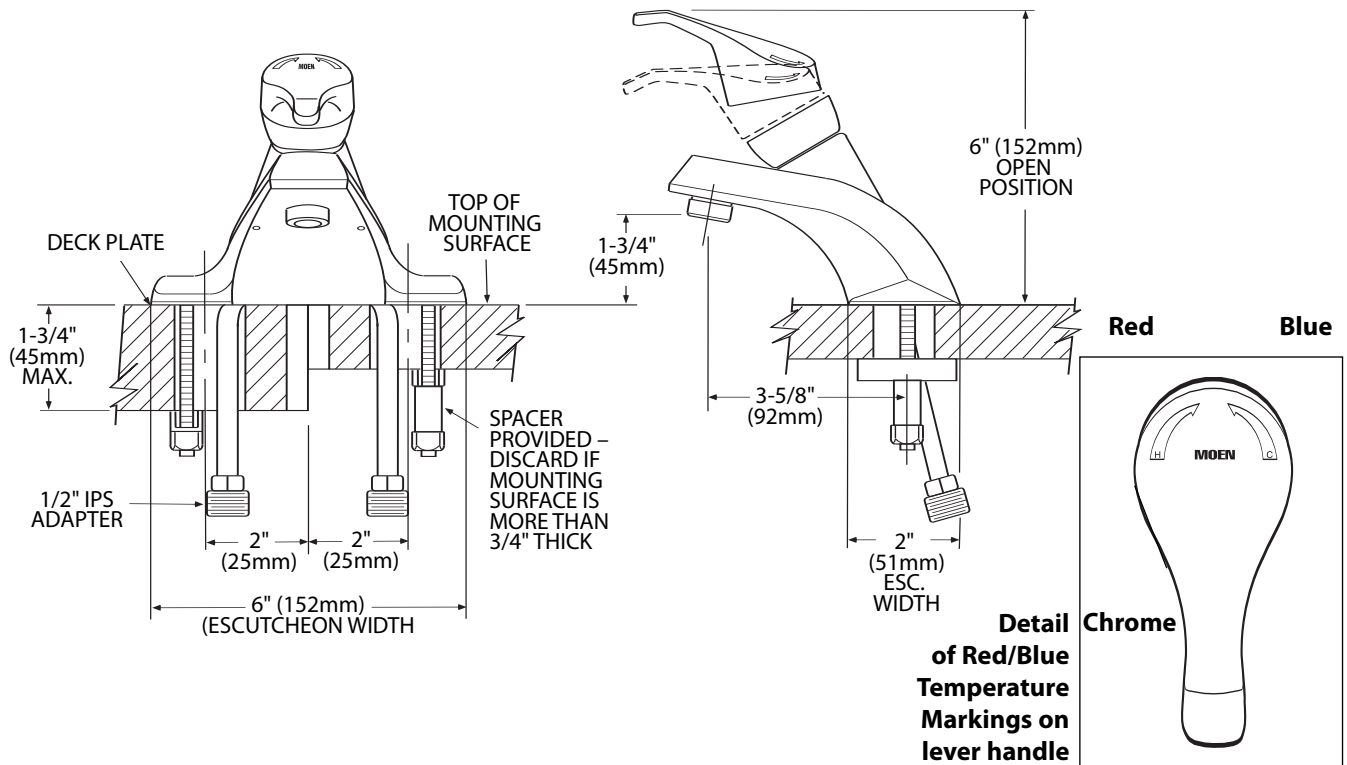
- Lifetime limited warranty against leaks, drips and finish defects to the original consumer purchaser
- 5 year warranty if used in commercial installations



## Single-Handle Lavatory Faucet with Adjustable Temperature Limit Stop

Model: 8430

**NOTE: THIS FAUCET IS DESIGNED TO BE INSTALLED THRU 3-1" DIA. HOLES, 2" ON CENTER**



## CRITICAL DIMENSIONS

(DO NOT SCALE)