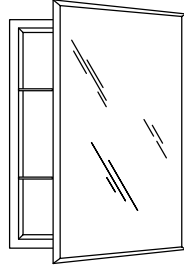


Installation Guide

Remodeler Cabinet Instructions

K-CB-CLR1620FS



THE BOLD LOOK
OF **KOHLER**®

Table of Contents

Warranty	2
Thank You	3
General Notes	3
Checklist - Care and Maintenance	3
Parts List	4
Recess Mounting the Cabinet into a Wall	5
Adjust Hinges	6
Install the Shelves	7

Limited One-Year Warranty

For the U.S.A. and Canada Only

KOHLER plumbing products are warranted to be free of defects in material and workmanship for one year from date of installation.

Kohler Co. will, at its election, repair, replace or make appropriate adjustment where Kohler Co. inspection discloses any such defects occurring in normal usage within one (1) year after installation. Kohler Co. is not responsible for removal or installation costs. Use of in-tank toilet cleaners will void the warranty.

To obtain warranty service contact Kohler Co. either through your Dealer, Plumbing Contractor, Home Center or E-tailer, or by writing Kohler Co., Attn.: Customer Service Department, 444 Highland Drive, Kohler, WI 53044, USA, or by calling 1-800-4-KOHLER from within the USA, 1-800-964-5590 from within Canada and 001-877-680-1310 from within Mexico.

Implied warranties including that of merchantability and fitness for a particular purpose are expressly limited in duration to the duration of this warranty. Kohler Co. and/or seller disclaims any liability for special, incidental or consequential damages.

Some states/provinces do not allow limitations on how long an implied warranty lasts, or the exclusion or limitation of special, incidental or consequential damages so these limitations and exclusions may not apply to you. This warranty gives you specific legal rights. You may also have other rights which vary from state/province to state/province.

This is Kohler Co.'s exclusive written warranty.

Thank You For Choosing Kohler

Thank you for choosing Kohler. Kohler craftsmanship offers you a rare combination of proven performance and graceful sophistication that will satisfy you for years to come. The dependability and beauty of your new cabinet will surpass your highest expectations. We're proud of our cabinets here at Kohler, and we know you will be too.

Please take a few minutes to study this Installation Guide before you install your cabinet.

All information in this manual is based upon the latest product information available at the time of publication. At Kohler, we constantly strive to improve the quality of our products. We reserve the right to make changes in product characteristics, packaging, or availability at any time without notice.

General Notes

- This cabinet is for recess mounting applications only.
- If you have any questions or require parts, contact Kohler Co. at 444 Highland Drive, Kohler WI 53044 or call 1-800-4-KOHLER

Checklist - Care and Maintenance

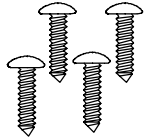
- Use a damp cloth to clean the cabinet door and interior. Spray the cloth, not the mirror, when cleaning. Ammonia or vinegar based cleaners can damage the mirror. Rubbing alcohol may be used for stubborn stains.
- Do not use abrasive cleaners on any part of the cabinet.

Parts List

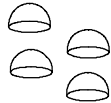
These parts are supplied with your cabinet. For cabinet body and door replacement, call customer service with model number.

Parts supplied:
1 medicine cabinet
2 glass shelves
1 hardware bag

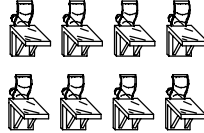
1070844 Hardware bag will consist of:
4 mounting screws
4 screw head caps
8 snap-in pins
12 hole plugs



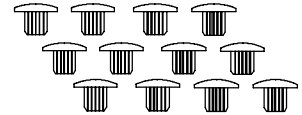
#8 x 2" Pan Head
Screws



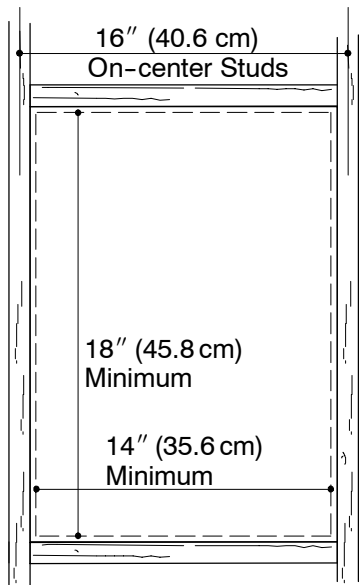
Screw Head Caps



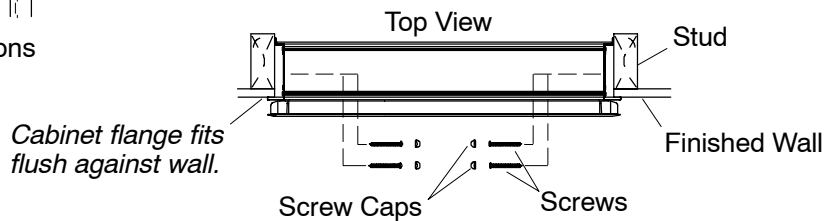
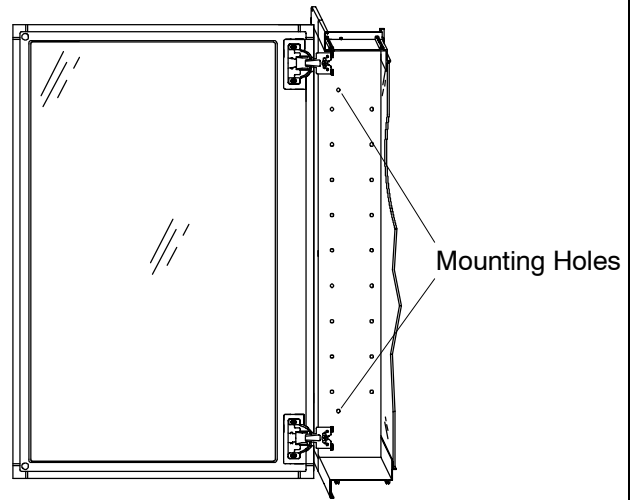
Snap-in Pins



Hole Plugs



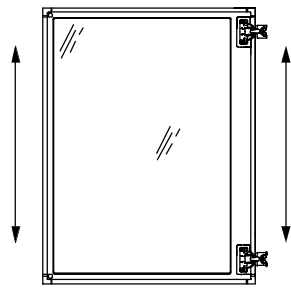
Rough Opening Dimensions



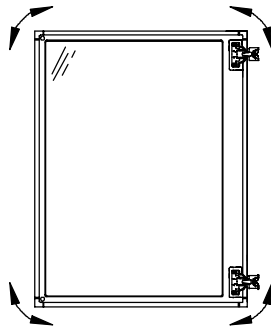
1. Recess Mounting the Cabinet into the Wall

NOTE: The Remodeler cabinet was designed for either left or right-hand door swing. Turn the cabinet to your door swing preference during recess mounting.

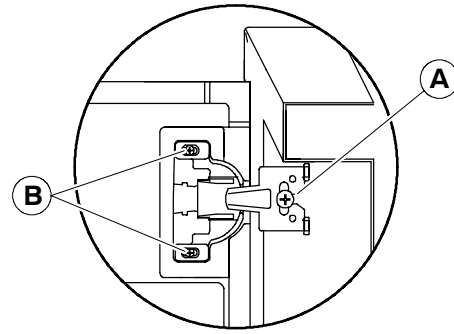
- Complete the roughing-in as illustrated. The opening should be 14" (35.6 cm) x 18" (45.8 cm) and fall between two 16" (40.6 cm) on-center studs. Frame out the opening if the cabinet will not fall between two studs.
- Place the cabinet into the wall cutout and mount to the framing with the four provided mounting screws (see illustration for mounting hole locations). Use a level to assure the cabinet is level and plumb.
- Once the cabinet is mounted, use the four provided head caps to press onto the mounting screw heads.



**A - Up/Down
Adjustment**



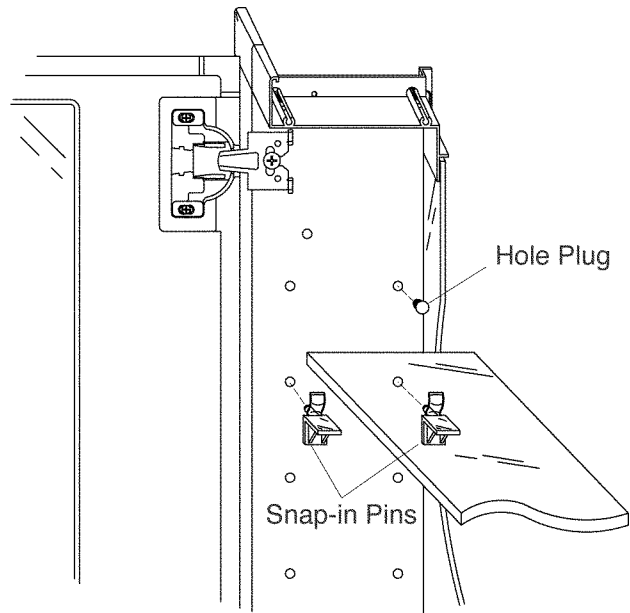
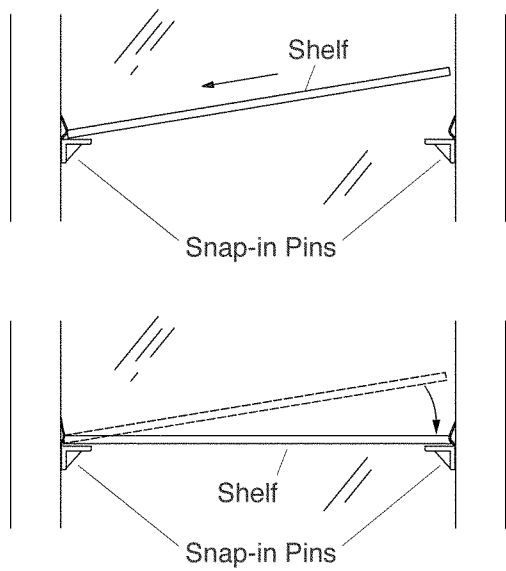
B - Plumb Door



2. Readjust Hinges (If Necessary)

NOTE: The Remodeler cabinet was factory-installed for correct closing. If the cabinet door is not level and plumb, follow these instructions.

- Loosen the two screws that fasten the door hinges to the cabinet slightly (labeled A in the illustration above). Adjust the cabinet door up or down until the top and bottom of the door closes within the cabinet recess. Tighten the two screws when the door is adjusted.
- If the door does not close correctly on either side, loosen the door mounting screws slightly (labeled B in the illustration above) to adjust the door from side-to-side. Tighten the screws when the door is adjusted.



3. Install the Shelves

- Install the eight provided snap-in pins into the desired locations.
- Install each glass shelf by pushing one side in first, and then the other. The shelf should snap into place when properly seated.
- Use the provided hole plugs to cover any unused holes.

