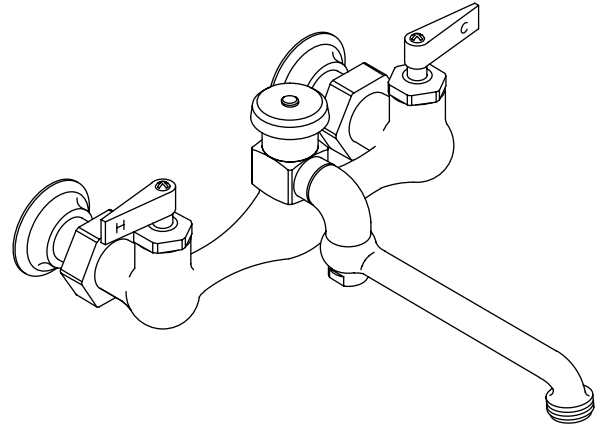


**SERVICE SINK FAUCET
K-13624**

ADA

Features

- Brass construction
- For 8" (20.3 cm) centers
- Brass valve bodies
- Valvet® valves
- 7" (17.8 cm) swing spout threaded hose connection
- 13" (33 cm) wall-to-spout outlet
- Lever handle(s)
- Loose key stops
- Adjustable flanges
- Vacuum breaker
- Internal NPT connections



Codes/Standards Applicable

Specified model meets or exceeds the following:

- ASME A112.18.1
- IAPMO/UPC
- ADA

Colors/Finishes

- CP: Polished Chrome

Specified Model:

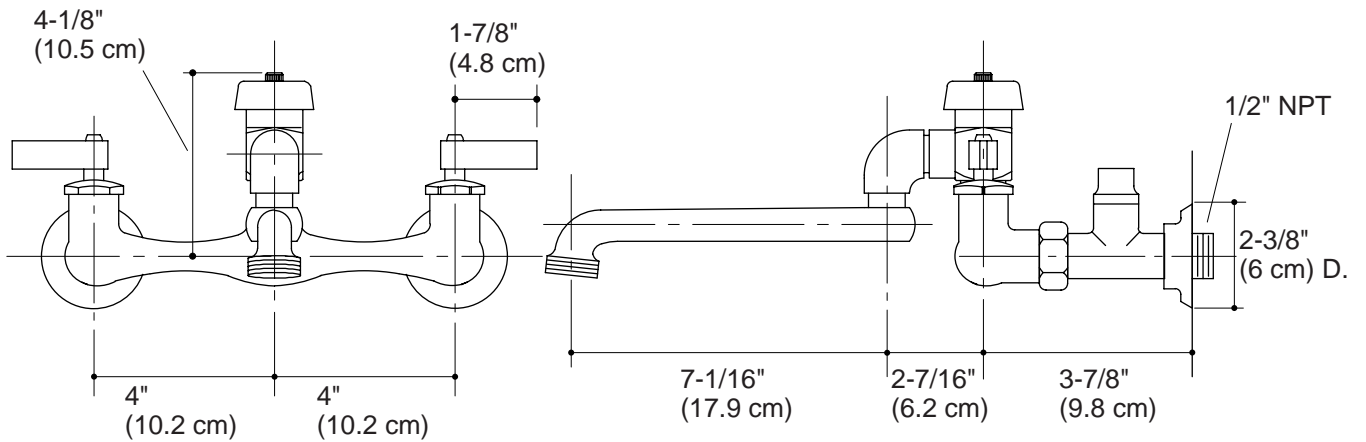
Model	Description	Colors/Finishes
K-13624	Service Sink Faucet	<input type="checkbox"/> CP

PRODUCT SPECIFICATION

Two-handle service sink faucet shall be of brass construction. Faucet shall feature brass valve bodies. Faucet shall also feature Valvet® valves. Product shall include 8" (20.3 cm) centers, 7" (17.8 cm) swing spout threaded hose connection, 13" (33 cm) wall-to-spout outlet, lever handles, loose key stops, adjustable flanges, vacuum breaker, and internal NPT connections. Faucet shall be Kohler Model K-13624-_____.

Installation Notes

Install this product according to the installation guide.



Product Diagram