

URINAL K-5016-ER

ADA

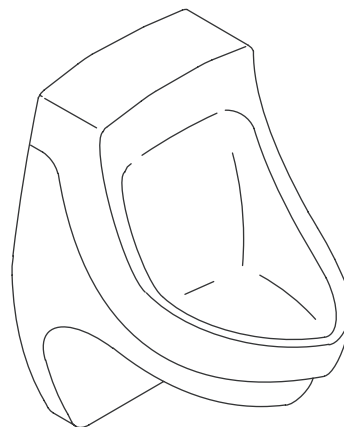
Features

- Vitreous china
- Siphon jet
- 3/4" rear spud
- Includes inlet and outlet spuds and hangers
- Includes anti-backsplash wall
- 1 gpf (3.78 lpf)
- 14-1/2" (36.8) extended rim

Codes/Standards Applicable

Specified model meets or exceeds the following:

- ASME A112.19.2
- IAPMO/UPC
- ICC/ANSI A117.1
- Energy Policy Act of 1992 (EPACT)
- CSA B45
- ADA when rim is mounted no higher than 17" (43.2 cm) from finished floor



Colors/Finishes

- 0: White
- Other: Refer to Price Book for additional colors/finishes

Specified Model

Model	Description	Colors/Finishes	
K-5016-ER	3/4" rear spud urinal	<input type="checkbox"/> 0	<input type="checkbox"/> Other _____

Product Specification

Siphon jet urinal shall be made of vitreous china with a 3/4" rear spud. Urinal shall include inlet and outlet spuds and hangers. Urinal shall include anti-backsplash wall. Urinal shall use 1 gpf (3.78 lpf) or less. Urinal shall have a 14-1/2" (36.8 cm) extended rim. Urinal shall be Kohler Model K-5016-ER-_____.

DEXTER™

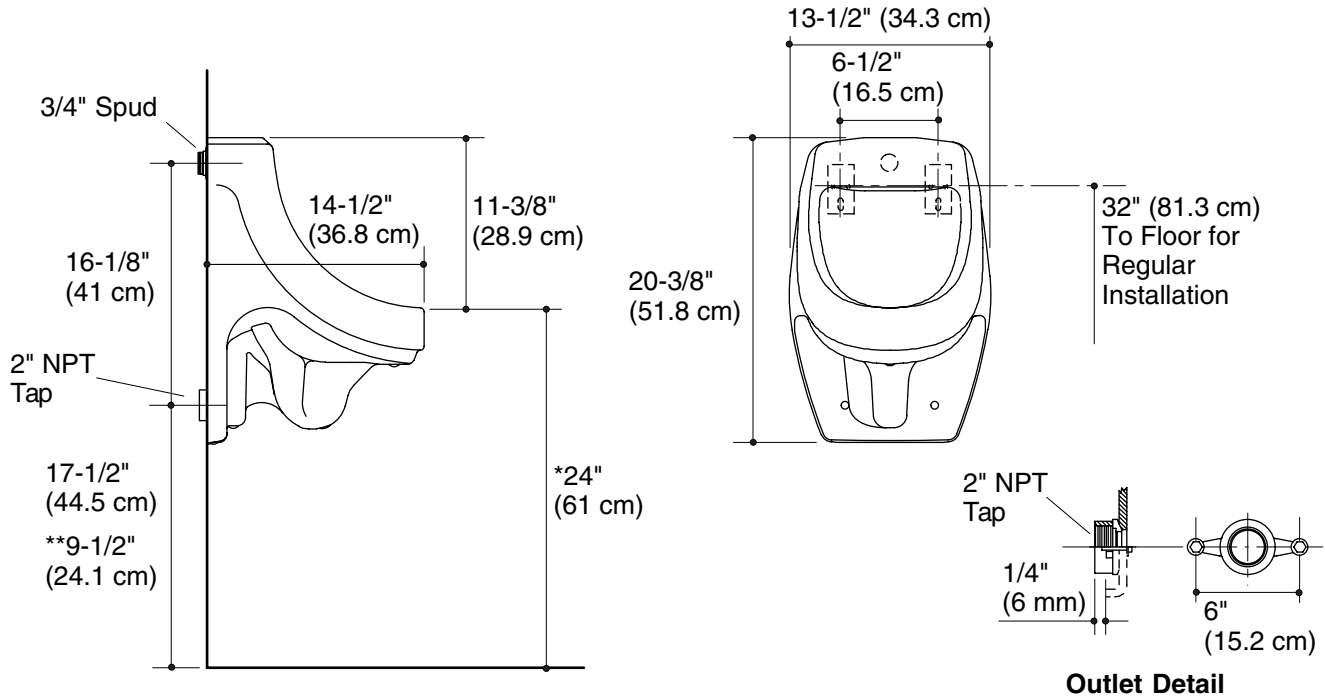
Technical Information

Urinal complies with ADA requirement when rim is mounted no higher than 17" (43.2 cm) from finished floor.	
ADA	
Fixture:	
Configuration	3/4" rear spud
Spud inlet size	3/4"
Water per flush	< 1 gal* (3.78 L)
* Designed to flush with less than one gallon (3.78 L) of water when installed with a water-saving flush valve.	
Included components:	
3/4" inlet spud	18376
2" outlet spud	18766
Hanger (2 required)	64512

Installation Notes

Install this product according to the installation guide.
Refer to manufacturer's instructions and local codes for flush valve requirements.

*Urinal complies with ADA requirement when rim is mounted no higher than 17" (43.2 cm) from finished floor.
**Outlet height for ADA compliance.



Product Diagram