

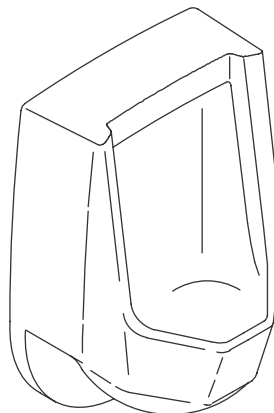
Features

- Vitreous china
- Siphon jet
- 3/4" rear spud
- Includes inlet and outlet spuds and hangers
- 1 gpf (3.78 lpf)

Codes/Standards Applicable

Specified model meets or exceeds the following:

- ADA when rim is mounted no higher than 17" (43.2 cm) from finished floor
- ASME A112.19.2
- IAPMO/UPC
- ICC/ANSI A117.1
- Energy Policy Act of 1992 (EPACT)
- CSA B45



Colors/Finishes

- 0: White
- Other: Refer to Price Book for additional colors/finishes

Specified Model

Model	Description	Colors/Finishes	
K-4989-R	3/4" rear spud urinal	<input type="checkbox"/> 0	<input type="checkbox"/> Other _____

Product Specification

Siphon jet urinal shall be made of vitreous china with a 3/4" top spud. Urinal shall include inlet and outlet spuds and hangers. Urinal shall use 1 gpf (3.78 lpf). Urinal shall be Kohler Model K-4989-R-_____.

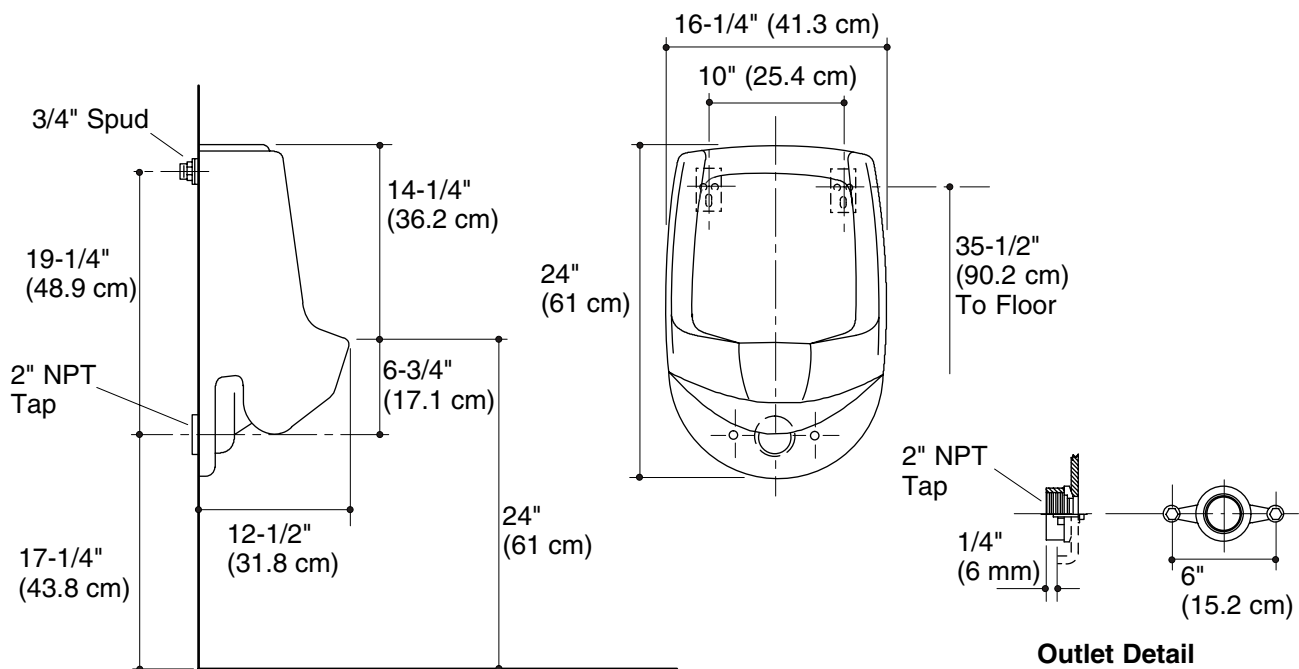
FRESHMAN™

Technical Information

Urinal is ADA compliant. ADA	
Fixture:	
Configuration	Rear spud
Water per flush	1 gal* (3.78 L)
Spud inlet size	3/4"
* Designed to flush with one gallon (3.78 L) of water when installed with a water-saving flush valve	
Included components:	
3/4" inlet spud	18376
Hanger (2 required)	64512

Installation Notes

Install this product according to the installation guide.



Product Diagram