

TOUCHLESS LITE™ URINAL K-4915

ADA

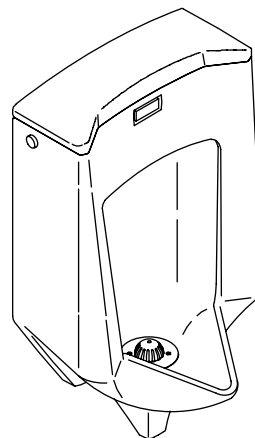
Features

- Vitreous china
- Washout
- Touchless™ electronic flush valve (battery operated)
- Includes tank cover and tank cover locks
- 0.5 gpf (1.89 lpf)

Codes/Standards Applicable

Specified model meets or exceeds the following:

- ADA when rim is mounted no higher than 17" (43.2 cm) from finished floor
- ASME A112.19.2
- IAPMO/UPC
- ICC/ANSI A117.1
- Energy Policy Act of 1992 (EPACT)



Colors/Finishes

- 0: White
- Other: Refer to Price Book for additional colors/finishes

Specified Model

Model	Description	Colors/Finishes	
K-4915	Touchless urinal	<input type="checkbox"/> 0	<input type="checkbox"/> Other _____

Product Specification

Washout urinal shall be made of vitreous china. Urinal shall have integral Touchless electronic flushing valve (battery operated). Urinal shall include K-4916 tank cover and tank cover locks. Urinal shall use 0.5 gpf (1.89 lpf). Urinal shall be Kohler Model K-4915-_____.

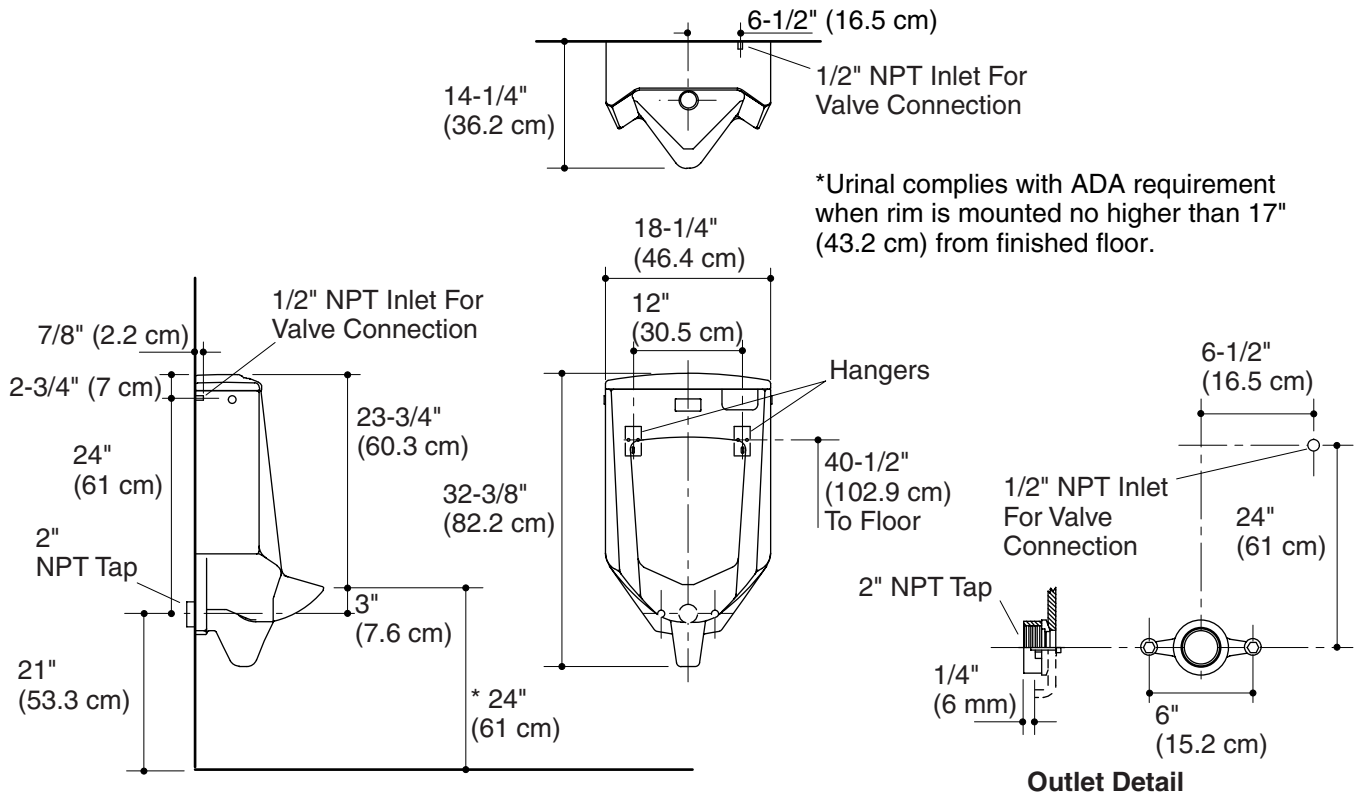
BARDON™

Technical Information

Urinal complies with ADA requirement when rim is 17" (43.2 cm) from finished floor.	
ADA	
Fixture:	
Configuration	Rear spud
Water per flush	0.5 gal (1.89 L)
Inlet size	1/2" NPT
Included components:	
Stop valve assembly	74105
2" outlet spud	18766
Strainer	85061
Hanger (2 required)	64512
Flush valve	74110
Tank cover locks (pair)	K-4557
4 alkaline "C" cell batteries	

Installation Notes

Install this product according to the installation guide.



Product Diagram