

**BEDPAN WASHER
K-13925**

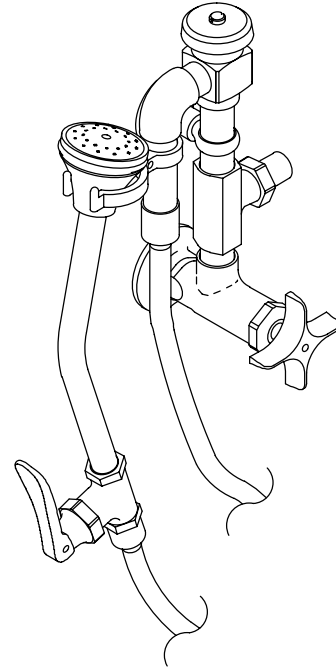
FEATURES

- Brass construction
- Brass valve body
- Valvet® valve
- Standard sprayhead
- Vacuum breaker
- Vinyl hose
- Loose key stop
- Self-closing lever control spray and hook

CODES/STANDARDS APPLICABLE

Specified model meets or exceeds the following:

- ASME/ANSI A112.18.1M



COLORS/FINISHES

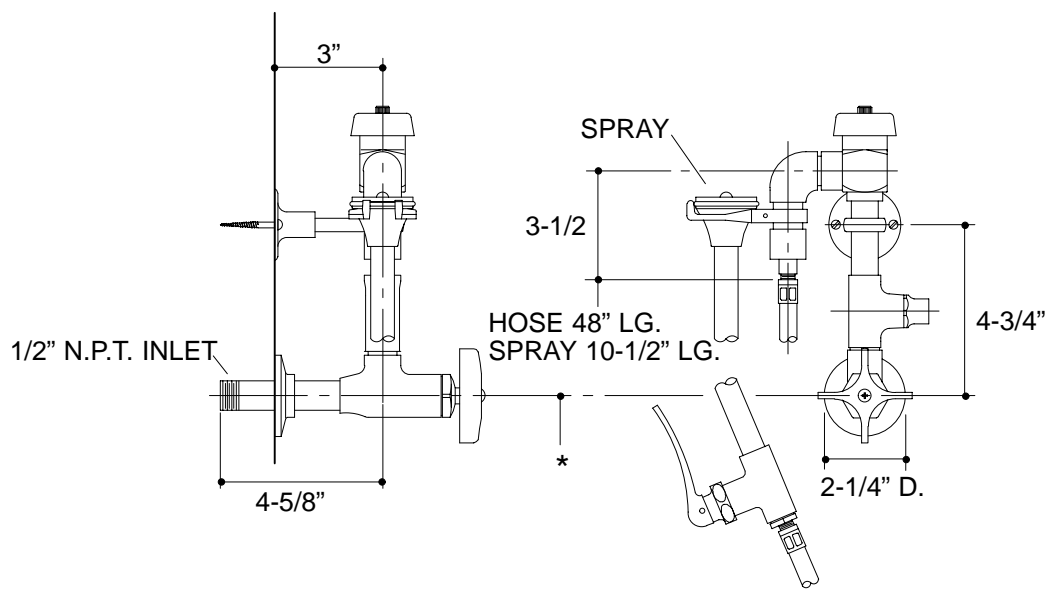
- CP Polished Chrome

SPECIFIED MODEL:

Model	Description	
K-13925	Bedpan Washer	<input type="checkbox"/> CP

PRODUCT SPECIFICATION:

Bedpan washer shall be of brass construction. Faucet shall feature a brass valve body. Faucet shall also feature a Valvet valve. Product shall include standard sprayhead, vacuum breaker, vinyl hose, loose key stop, self-closing lever control spray and hook, and N.P.T. connection. Faucet shall be Kohler Model K-13925-CP.



* CONSULT LOCAL CODES FOR VACUUM BREAKER HEIGHT.

316

PRODUCT DIAGRAM