

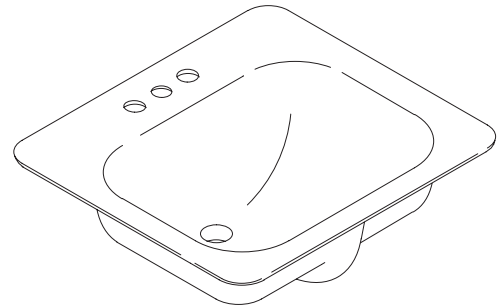
COUNTERTOP LAVATORY

K-2890

ADA

FEATURES

- 20" (50.8cm) x 18" (45.7cm)
- Cast iron
- Metal frame mounting
- 4" (10.2cm) centers
- With overflow
- ADA compliant



CODES/STANDARDS APPLICABLE

Specified model meets or exceeds the following:

- ADA
- ASME/ANSI A112.19.1M
- CABO/ANSI A117.1
- Canadian Standards Association (CSA)
- State of Massachusetts

COLORS/FINISHES

- 0 White
- Other Refer to Fixtures Price Book for additional colors

Accessories:

- CP Polished Chrome
- Other Refer to Faucets Price Book for additional finishes
- NA None Applicable

SPECIFIED MODEL:

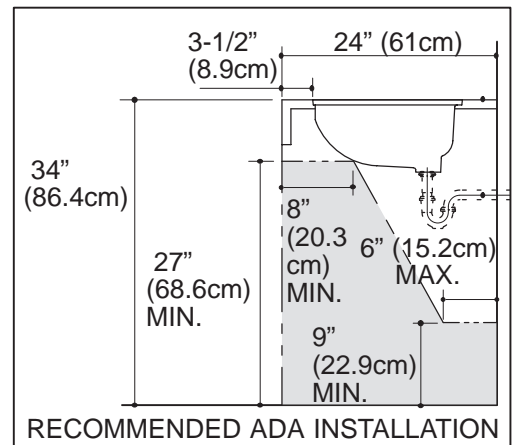
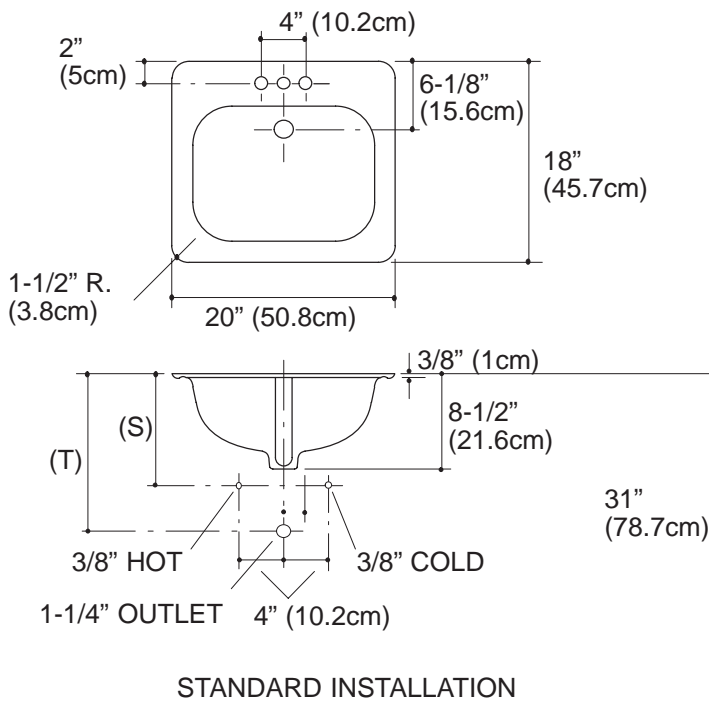
Model	Description	Colors/Finishes	
K-2890	4" (10.2cm) centers lavatory	<input type="checkbox"/> 0 White	<input type="checkbox"/> Other_____
Required Accessories			
K-6688	Metal frame	<input type="checkbox"/> NA	
Recommended Accessories			
K-8998	Trap	<input type="checkbox"/> CP	<input type="checkbox"/> Other_____

PRODUCT SPECIFICATION:

The countertop lavatory shall be 20" (50.8cm) in length, and 18" (45.7cm) in width. Lavatory shall be made of cast iron. Lavatory shall be used for mounting with metal frame (K-6688). Lavatory shall have 4" (10.2cm) centers. Lavatory shall have overflow. Lavatory shall be ADA compliant. Lavatory shall be Kohler Model K-2890-4-_____.

PRODUCT INFORMATION

ADA compliant.			
Fixture*:		basin area	water depth
Lavatory		16" (40.6cm) x 12" (30.5cm)	5" (12.7cm)
Outlet	1-11/16" D. (4.3cm)		
* Approximate measurements for comparison only.			
Spout	1-1/8" D. (2.9cm)		
Faucet	1-3/16" D. (3cm)		
Included Components:			
Overflow ferrule		84896	



(T) Pop-up drain 14-1/8" (35.9cm), grid drain 13-1/4" (33.7cm).
(S) 10" (25.4cm) (Based on 12" (30.5cm) riser which may require cutting).
Cutout metal frame required.

1.05>116

PRODUCT DIAGRAM