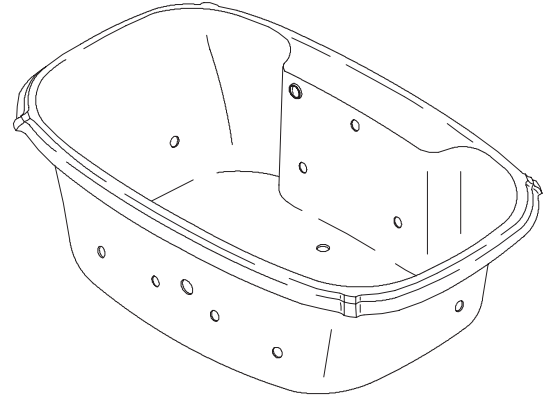


Features

- Acrylic
- 1.5 hp variable speed pump with 1.5 kW heater, back-lit user keypad, and remote control
- 8 Flexjets™
- Less all trim
- 67" (170.2 cm) x 42" (106.7 cm) x 22" (55.9 cm)

5.5' BATH WHIRLPOOL K-1457-H2



Codes/Standards Applicable

Specified model meets or exceeds the following:

- IAPMO/UPC
- Underwriter's Laboratories (UL)
- ANSI Z124.1
- ASME A112.19.7M

Colors/Finishes

- 0: White
- Other: Refer to Price Book for additional colors/finishes

Accessories:

- CP: Polished Chrome
- PB: Polished Brass
- 0: White
- Other: Refer to Price Book for additional colors/finishes
- NA: None applicable

Specified Model

Model	Description	Colors/Finishes		
K-1457-H2	Bath whirlpool	<input type="checkbox"/> 0	<input type="checkbox"/> Other_____	
Required Accessory				
K-9698	Jet trim kit	<input type="checkbox"/> CP	<input type="checkbox"/> PB	<input type="checkbox"/> Other_____
Recommended Accessory				
K-7161-AF	Adjustable pop-up drain	<input type="checkbox"/> CP	<input type="checkbox"/> PB	<input type="checkbox"/> Other_____
Optional Accessories				
K-1491	Pillow	<input type="checkbox"/> 0	<input type="checkbox"/> Other_____	
K-1601	Footstop	<input type="checkbox"/> 0	<input type="checkbox"/> Other_____	
K-1703	Remote control	<input type="checkbox"/> NA		
K-9497	2.5" (6.4 cm) metal finish keypad trim	<input type="checkbox"/> CP	<input type="checkbox"/> PB	<input type="checkbox"/> Other_____

Product Specification

The bath whirlpool shall be 67" (170.2 cm) in length, 42" (106.7 cm) in width, and 22" (55.9 cm) in height. Bath whirlpool shall be made of acrylic. Bath whirlpool shall have 8 Flexjets, 1.5 hp variable speed pump with 1.5 kW heater, and back-lit user control. Bath whirlpool shall be less all trim. Bath whirlpool shall be Kohler Model K-1457-H2-_____.

PORTRAIT®

Technical Information

Fixture*:	Basin area	Top area	Weight
Bathing well	50" (127 cm) x 29" (73.7 cm)	61" (154.9 cm) x 32" (81.3 cm)	130 lbs (59 kg)
Water depth (to overflow)	Capacity		
16" (40.6 cm)	100 gal (378.5 L)		

* Approximate measurements for comparison only.

Pump	Heater	V	A*
1.5 hp	1.5 kW	240	11

* Approximate measurements for comparison only.

Included component:	
Cut-out template	113311-7

Required Electrical Service

Dedicated circuit required, protected with Class A Ground-Fault Circuit-Interrupter (GFCI) or Earth-Leakage Circuit-Breaker (ELCB):	
Pump/control	208-240 V, 20 A, 50/60 Hz

Installation Notes

NOTE: Pump protrusion beyond rim.

Install this product according to the installation guide.

Floor support under whirlpool must provide for a minimum of 1800 lbs (816.5 kg).

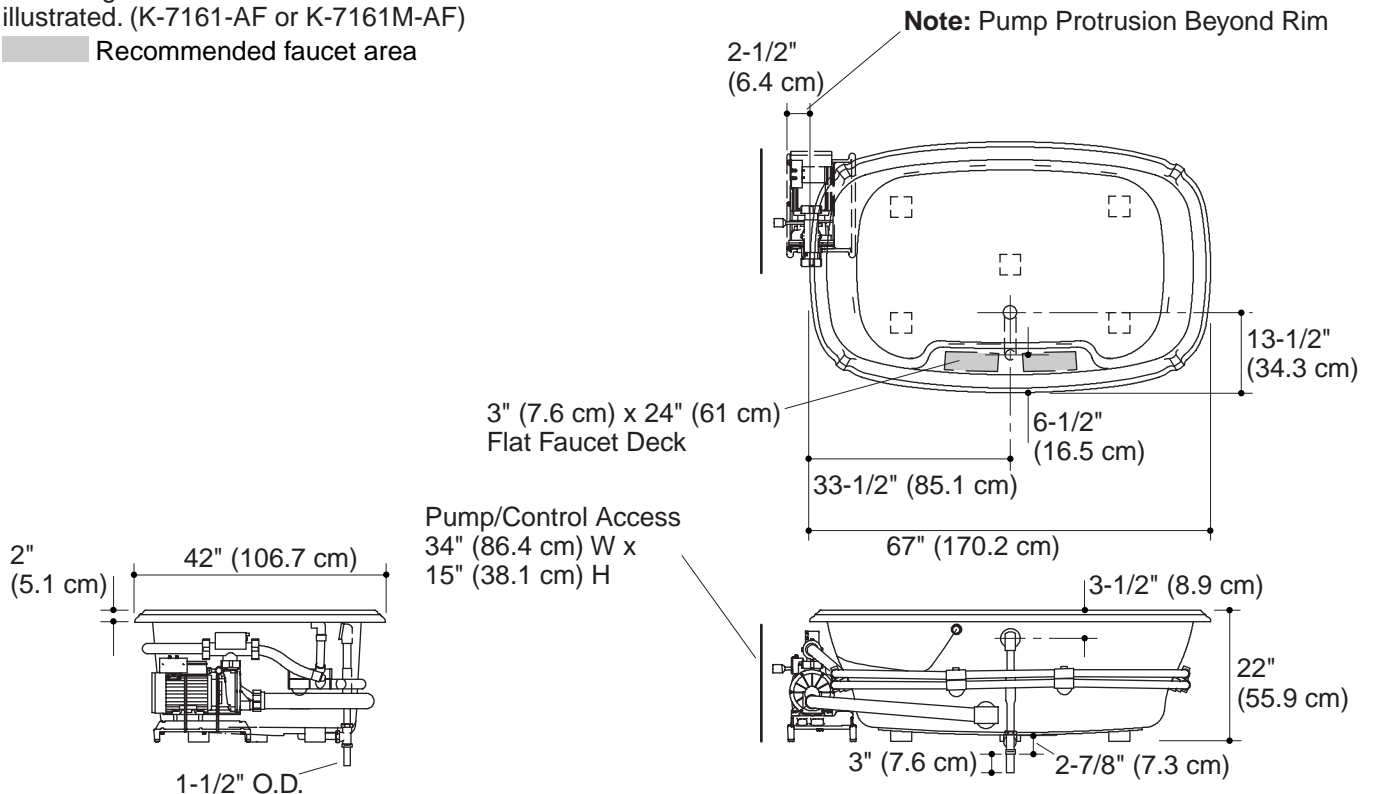
Hot water supply should be 70% of capacity or greater. Installations will vary.

If installing a rim mount faucet, make sure there is no interference with drain overflow and circulating system before drilling any holes. Consult local and national codes for minimum air gap requirements if installing a spout on the faucet deck.

A minimum access panel is required.

No change in measurements if connected with drain illustrated. (K-7161-AF or K-7161M-AF)

Recommended faucet area



Product Diagram