

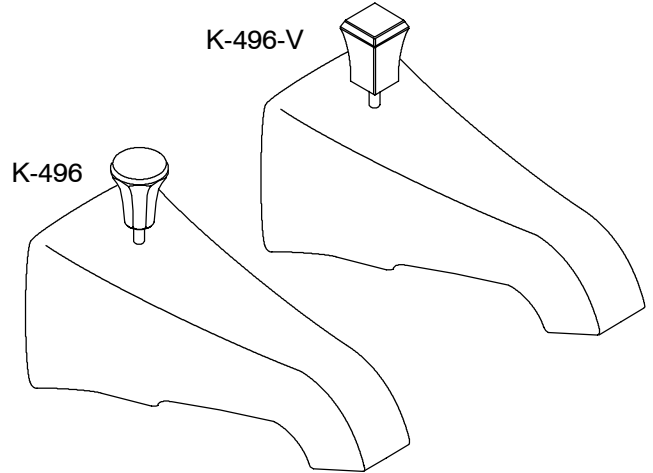
FEATURES

- Metal construction
- 6" (15.2cm) diverter spout with N.P.T. connection

CODES/STANDARDS APPLICABLE

Specified model meets or exceeds the following:

- ASME/ANSI A112.18.1M



COLORS/FINISHES

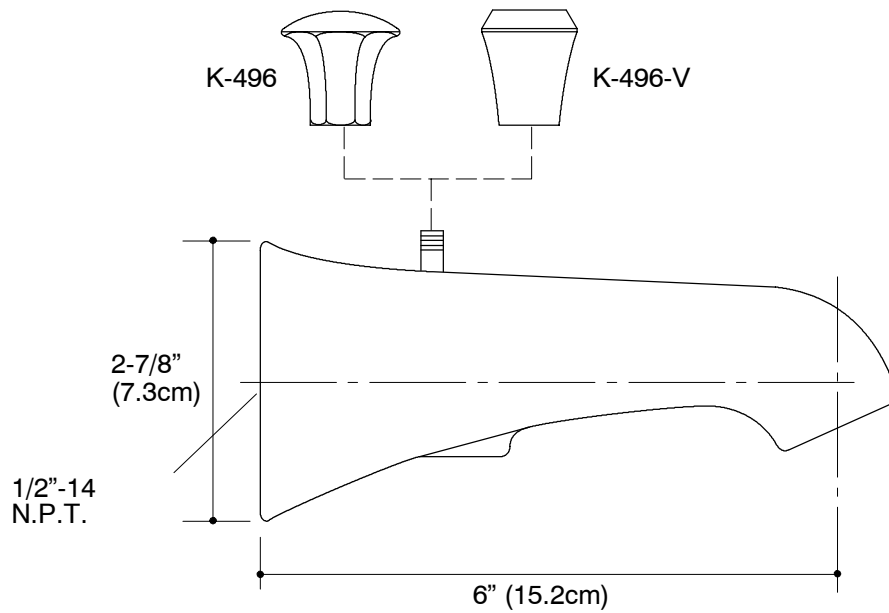
- CP Polished Chrome
- PB Polished Brass
- Other Refer to Faucets Price Book for additional finishes

SPECIFIED MODEL:

Model	Description			
K-496	Wall-Mount Diverter Bath Spout	<input type="checkbox"/> CP	<input type="checkbox"/> PB	<input type="checkbox"/> Other_____
K-496-V	Wall-Mount Diverter Bath Spout	<input type="checkbox"/> CP	<input type="checkbox"/> PB	<input type="checkbox"/> Other_____

PRODUCT SPECIFICATION:
Product shall be a wall-mount 6" (15.2cm) diverter bath spout and shall be of metal construction. Spout shall be N.P.T. connection. Spout shall be Kohler Model K-496-_____.

MEMOIRS™ STATELY



12

PRODUCT DIAGRAM