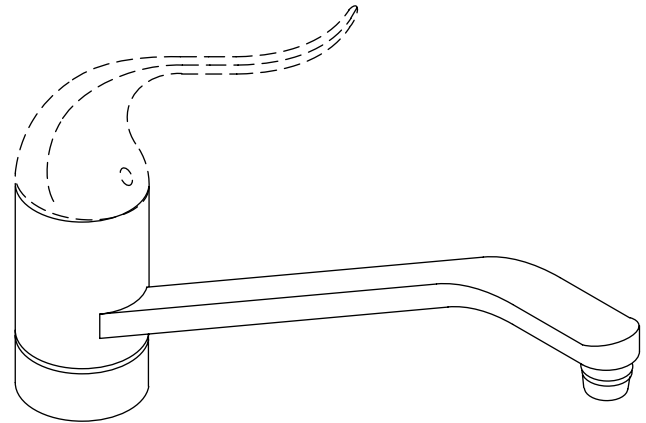


**KITCHEN SINK FAUCET  
K-15175**

**Features**

- Metal construction
- One-piece, self-contained ceramic disc valve allows both volume and temperature control
- Temperature memory allows faucet to be turned on and off at any temperature setting
- High-temperature limit stop for added safety
- 2.2 gpm (8.3 lpm) flow rate
- Lower flow aerator options are available (refer to the Kohler Price Book)
- Lever or loop handle
- Ground joint connections
- Available with an 8-1/2" (21.6 cm) or 10" (25.4 cm) swing spout



**Codes/Standards Applicable**

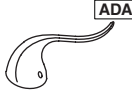


Specified model meets or exceeds the following:

- ASME A112.18.1/CSA B125.1
- IAPMO/UPC
- Energy Policy Act of 1992 (EPACT)
- NSF 61

**Colors/Finishes**

- CP: Polished Chrome
- PB: Polished Brass
- Other: Refer to Price Book for additional colors/finishes

**Specified Model**

Model	Description		
K-15175-P	Kitchen sink faucet with 8-1/2" (21.6 cm) swing spout and ground joints	<input type="checkbox"/> CP	
K-15175-PT	Kitchen sink faucet with 10" (25.4 cm) swing spout and ground joints	<input type="checkbox"/> CP <input type="checkbox"/> PB <input type="checkbox"/> Other _____	
K-15175-TL	Kitchen sink faucet with 10" (25.4 cm) swing spout and ground joints		<input type="checkbox"/> CP <input type="checkbox"/> PB <input type="checkbox"/> Other _____
<b>Optional Accessories</b>			
K-15179-A	12" (30.5 cm) swing spout with aerator	<input type="checkbox"/> CP <input type="checkbox"/> PB <input type="checkbox"/> Other _____	

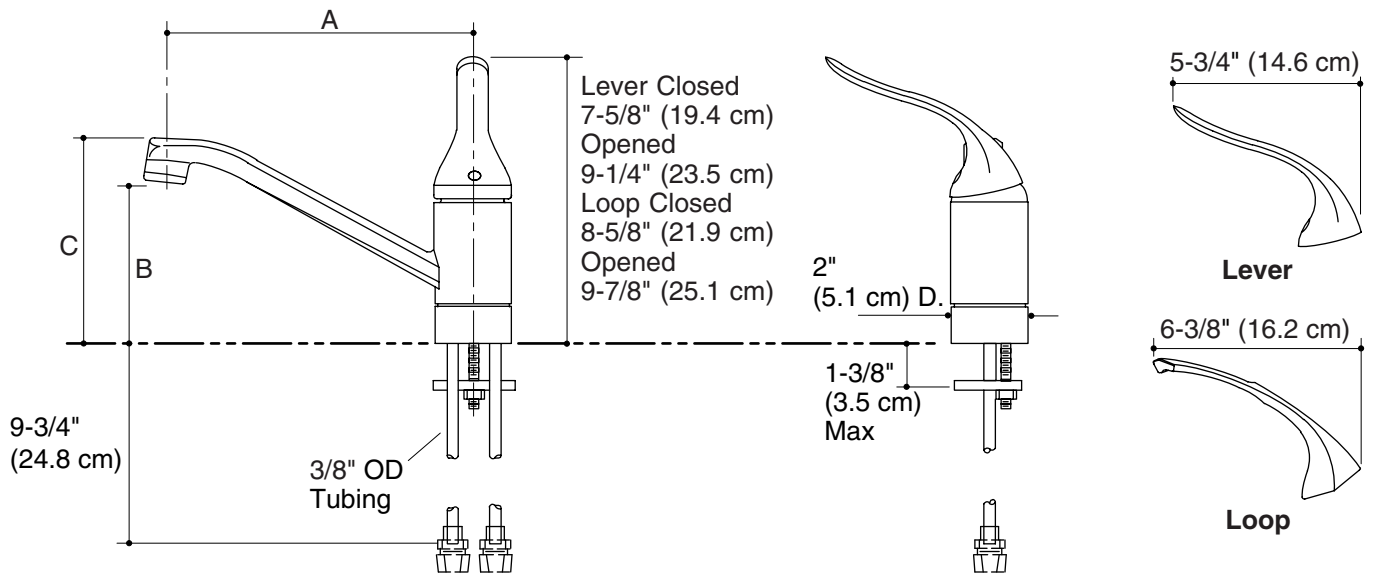
**Product Specification**

Single-control kitchen sink faucet shall be of metal construction. Valve shall be a one-piece, self-contained ceramic disc valve, allowing volume and temperature control. Valve shall feature temperature memory, allowing the faucet to be turned on and off at any temperature setting. Valve shall include a high-temperature limit stop. Faucet shall be rated at 2.2 gallons (8.3 L) per minute. Faucet shall have lower flow aerator options. Faucet shall include 8-1/2" (21.6 cm) or 10" (25.4 cm) swing spout, lever or loop handle, and ground joint connections. Faucet shall be Kohler Model K-15175-\_\_\_\_-\_\_\_\_.

# CORALAIS®

## Installation Notes

Install this product according to the installation guide.



	A	B	C
K-15175-P	8-1/2" (21.6 cm)	5" (12.7 cm)	6-1/8" (15.6 cm)
K-15175-PT, K-15175-TL	10" (25.4 cm)	5-3/4" (14.6 cm)	6-7/8" (17.5 cm)

## Product Diagram