

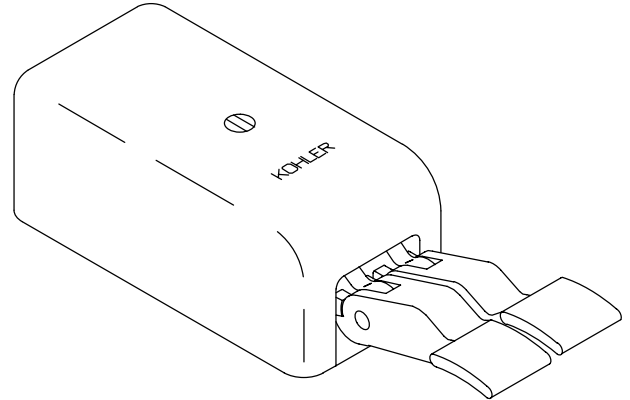
FEATURES

- *Metal construction*
- *Self-closing compression mixing valve*
- *Loose key stops*
- *Machined aluminum pedals*

CODES/STANDARDS APPLICABLE

Specified model meets or exceeds the following:

- *ASME/ANSI A112.18.1M*
- *IAPMO/UPC*



COLORS/FINISHES

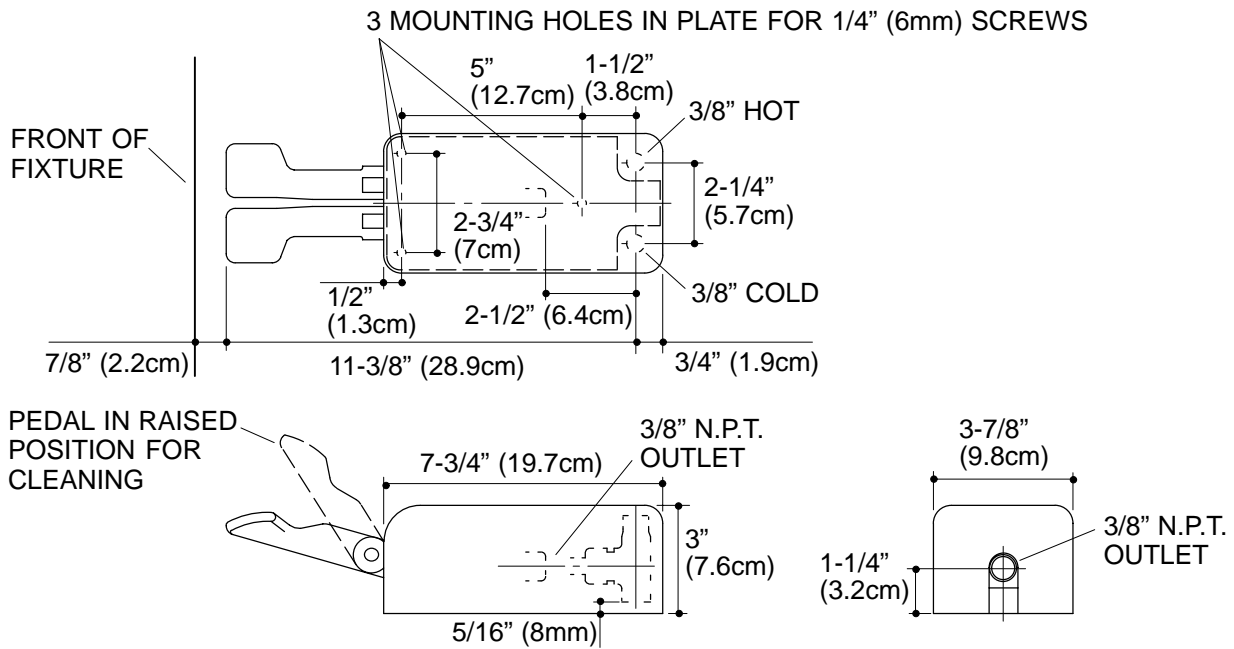
- CP Polished Chrome

SPECIFIED MODEL:

Model	Description	
K-13808	Foot Control	<input type="checkbox"/> CP

PRODUCT SPECIFICATION:

Floor-mount foot control shall be of metal construction. Product shall include self-closing compression mixing valve, loose key stops, machined aluminum pedals, internal N.P.T. connections. Double foot control is intended for hot, cold, or tempered water. Product shall be Kohler Model K-13808-CP.



316

PRODUCT DIAGRAM