

**Features**

- Bath- or deck-mount
- Two-way brass diverter valve
- Diverter valve has backflow protection

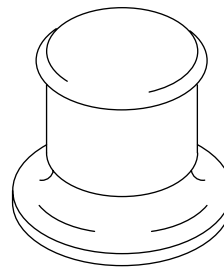
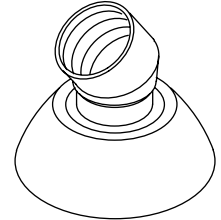
**DIVERTER VALVE AND  
HANDSHOWER HOSE GUIDE**

**K-8548**  
**ALSO K-8549**

**Codes/Standards Applicable**

Specified model meets or exceeds the following:

- ASME A112.18.1
- ASSE 1014
- ASSE 1025
- CSA B125
- Energy Policy Act of 1992 (EPACT)



**Colors/Finishes**

- CP: Polished Chrome
- PB: Polished Brass
- Other: Refer to Price Book for additional colors/finishes

**Specified Model**

Model	Description	<input type="checkbox"/> CP	<input type="checkbox"/> PB	<input type="checkbox"/> Other ____
K-8548	Three-Way Handshower Hose Guide	<input type="checkbox"/> CP	<input type="checkbox"/> PB	<input type="checkbox"/> Other ____
K-8549	Two-Way Diverter Valve and Handshower Hose Guide	<input type="checkbox"/> CP	<input type="checkbox"/> PB	<input type="checkbox"/> Other ____

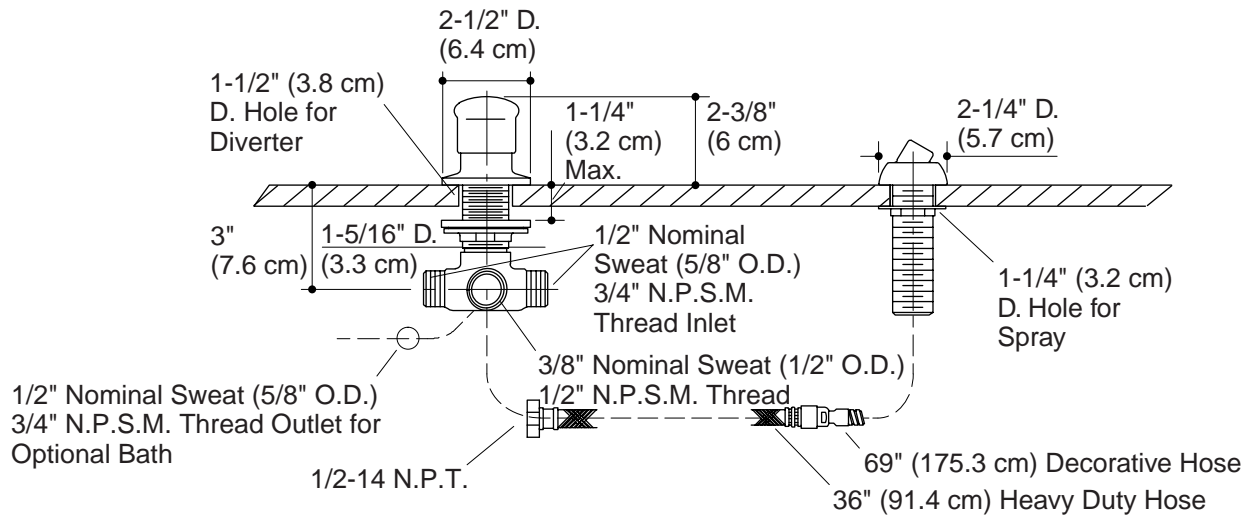
**Product Specification**

Two-way diverter valve and three-way handshower hose guide shall be bath- or deck-mount. Two-way diverter valve shall be of brass construction. Diverter valve shall have backflow protection. Product shall be Kohler Model K-\_\_\_\_-\_\_\_\_.

## Installation Notes

Install this product according to the installation guide.

Diverter valve has backflow protection.



## Product Diagram

DIVERTER VALVE AND HANDSHOWER HOSE GUIDE

Page 2 of 2  
1000588-4-B

THE BOLD LOOK  
OF **KOHLER**