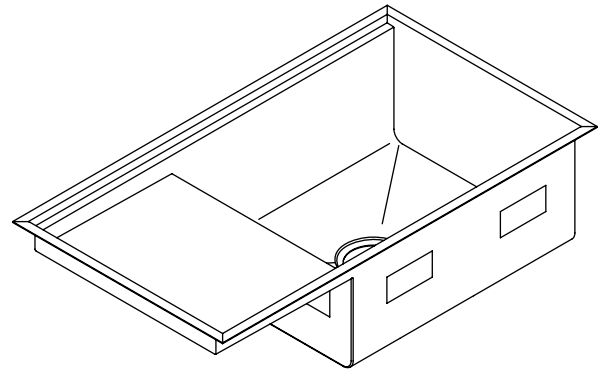


## CHEF INSPIRED COLLECTION™ STAGES™ 33"

### UNDERCOUNTER KITCHEN SINK K-3760

#### Features

- 16-gauge stainless steel
- Undercounter
- Includes installation hardware
- Single compartment with wet surface work area
- Includes wood cutting board, bowls, and serving tray/cutting board
- Includes utensil tray/cutting board, bottom basin rack, and accessory rack
- 33" (83.8 cm) x 18-1/2" (47 cm)



#### Codes/Standards Applicable

Specified model meets or exceeds the following:

- ASME A112.19.3/CSA B45.4

#### Colors/Finishes

- NA: None applicable

#### Accessories

- CP: Polished Chrome
- ST: Stainless Steel
- NA: None applicable
- Other: Refer to Price Book for additional colors/finishes

#### Specified Model

Model	Description	Colors/Finishes
K-3760	Undercounter kitchen sink	<input type="checkbox"/> NA

Included Accessories			
K-6230	Utensil tray	<input type="checkbox"/> NA	
K-6231	Flip tray	<input type="checkbox"/> NA	
K-6232	Cutting board	<input type="checkbox"/> NA	
K-6234	Bottom basin rack		<input type="checkbox"/> ST
K-6235	Prep bowls	<input type="checkbox"/> NA	
K-6236	Accessory storage rack		<input type="checkbox"/> ST

Optional Accessories			
K-8801	Duostrainer® sink strainer	<input type="checkbox"/> CP	<input type="checkbox"/> Other_____

#### Product Specification

The undercounter kitchen sink shall be made of 16-gauge stainless steel. The kitchen sink shall be 33" (83.8 cm) in length and 18-1/2" (47 cm) in width. Sink shall include wood cutting board, bowls, and serving tray/cutting board. Sink shall include utensil tray/cutting board, bottom basin rack, and accessory rack. Sink shall be single compartment with wet surface work area. Sink shall include installation hardware. Sink shall be Kohler Model K-3760-\_\_\_\_\_.

# CHEF INSPIRED COLLECTION™ STAGES™ 33"

## Technical Information

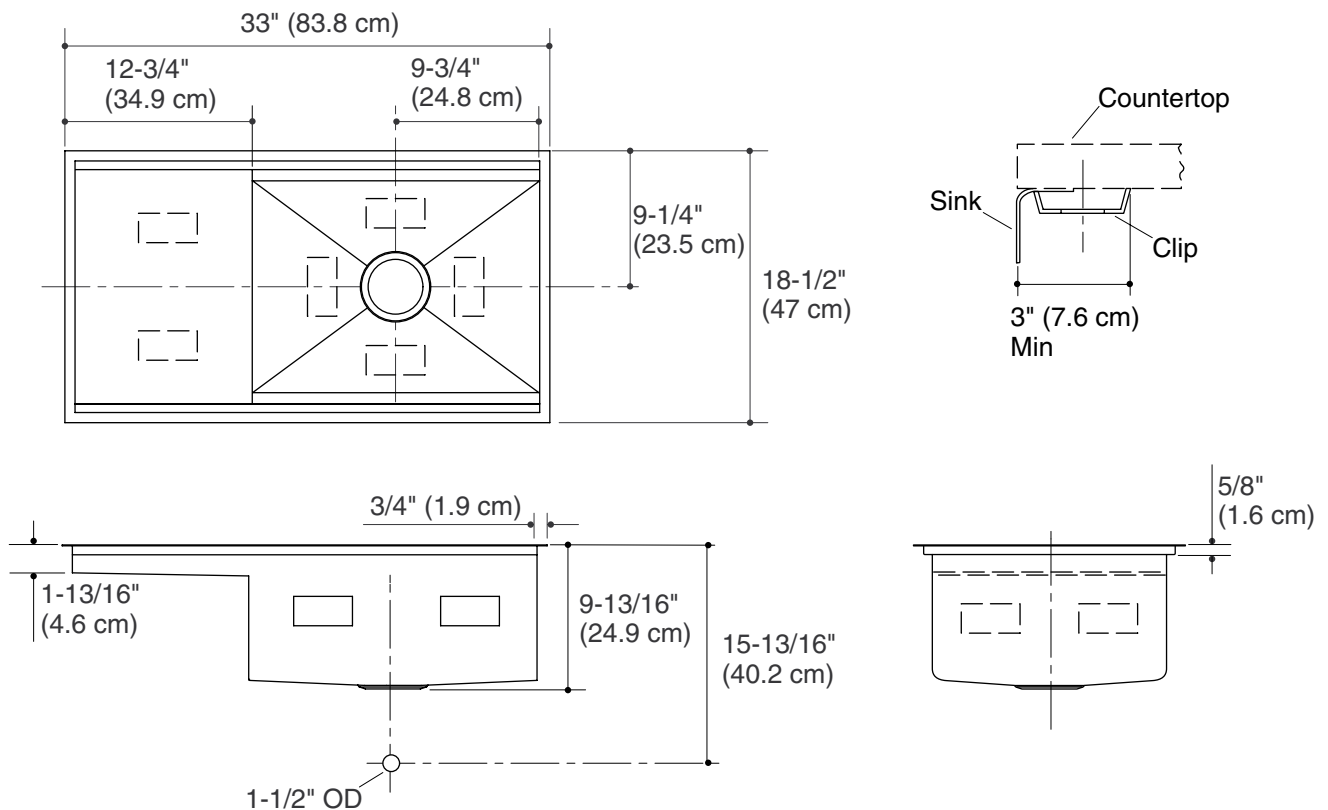
Fixture*:	
Basin area	31-1/2" (80 cm) x 17" (43.2 cm)
Water depth	9-1/2" (24.1 cm)
Drain hole	3-5/8" (9.2 cm) D.
*Approximate measurements for comparison only.	

Included components:	
Hardware kit	91915
Cut-out template	1109793-7

## Installation Notes

Install this product according to the installation guide.

Allow a minimum of 3" (7.6 cm) clearance around the sink rim for clip attachment.



## Product Diagram